

IN THE UNITED STATES PATENT AND TRADEMARK OFFICE

Applicant: Brad A. Armstrong Docket No.: F2811
Serial No.: 10/773,025 Art Unit: 2629
Filed: February 4, 2004 Examiner: William Boddie
For: Image Controller

**DECLARATION OF PRIOR INVENTION
UNDER 37 CFR § 1.131**

1. My name is Brad A. Armstrong. I am the inventor of the inventions described and claimed in U.S. Patent Application No. 10/773,025, which is entitled "Image Controller," and was filed February 4, 2004 ("the '025 Application").

2. I conceived of the invention claimed in the '025 Application at least as early as January 24, 1996 (the filing date of the U.S. Patent No. 5,703,623 to Hall, et al., which is cited as prior art against the claims of the present '025 Application). I worked diligently from that time to file a patent application for my invention.

3. The present '025 Application claims priority to U.S. Patent No. 6,222,525 ("the '525 Patent") through a series of continuation and continuation-in-part applications. The '525 Patent itself claims priority to U.S. Patent No. 5,565,891 ("the '891 Patent"). Accordingly, although the present '025 Application does not claim priority to the '891 Patent, they are in the same chain of patents and applications.

4. Prior to January 24, 1996, I prepared and filed a patent application that was assigned Application Serial No. 08/393,459 and that eventually issued as the '891

Application No.: 10/773,025 Docket No.: F2811 Patent. A copy of the '891 Patent is attached hereto as EXHIBIT A, and a copy of the '525 Patent is attached hereto as EXHIBIT B.

5. Figures 1-11 of the '891 Patent, which was filed on February 23, 1995, correspond to Figures 1-11 of the '525 Patent as well as to Figures 1-11 of the present '025 Application. Figures 1-11 and the related description of the '891 Patent provide support for the pending claims in the '025 Application. The disclosure of the '891 Patent shows that I had conceived of, and was in possession of, the invention claimed in the '025 Application at least as early as January 24, 1996.

6. All statements made on my own knowledge herein are true, and all statements made herein on information and belief are believed to be true. I acknowledge that willful false statements and the like are punishable by fine or imprisonment or both under 18 U.S.C. § 1001, and may jeopardize the validity of this patent application or any patent issuing thereon.

July 27, 2010
Date

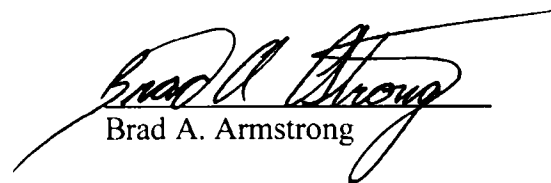

Brad A. Armstrong

EXHIBIT A



US005565891A

United States Patent [19]

[11] Patent Number: **5,565,891**

Armstrong

[45] Date of Patent: **Oct. 15, 1996**

[54] **SIX DEGREES OF FREEDOM GRAPHICS CONTROLLER**

Primary Examiner—Mark R. Powell
Assistant Examiner—Doon Chow

[76] Inventor: **Brad A. Armstrong**, 848 Inyo St., Chico, Calif. 95928

[57] **ABSTRACT**

[21] Appl. No.: **393,459**

A hand manipulated six degree of freedom controller wherein a partially exposed freely rotatable trackball within a carriage is movable in all linear directions relative to a stationary housing. The controller sends information describing rotation of the trackball about three mutually perpendicular axes referred to as yaw, pitch and roll, and information describing linear moment of the trackball along the axes to a host computer or like graphics generator and display for control of graphics. The controller includes the housing supporting the movable carriage, with the carriage supporting the trackball. The carriage is movably retained for allowing linear movement of the carriage and thus the trackball along the three mutually perpendicular axes independent of the housing. A portion of the carriage or the trackball is exposed to allow manual manipulation of the carriage position. Sensors are positioned for sensing linear moment of the carriage and thus the trackball relative to the housing and creating moment related information indicative of the direction of the sensed linear moment. Sensors are positioned for sensing rotation of the trackball relative to the carriage and thus housing, and creating rotational related information indicative of the rotation of the trackball about the axes.

[22] Filed: **Feb. 23, 1995**

Related U.S. Application Data

[63] Continuation-in-part of Ser. No. 847,619, Mar. 5, 1992.

[51] **Int. Cl.⁶** **G09G 3/02**

[52] **U.S. Cl.** **345/167; 345/156**

[58] **Field of Search** 345/167, 156, 345/157, 161, 163, 164, 168; 341/20, 21, 22; 74/471 XY; 273/148 B

[56] **References Cited**

U.S. PATENT DOCUMENTS

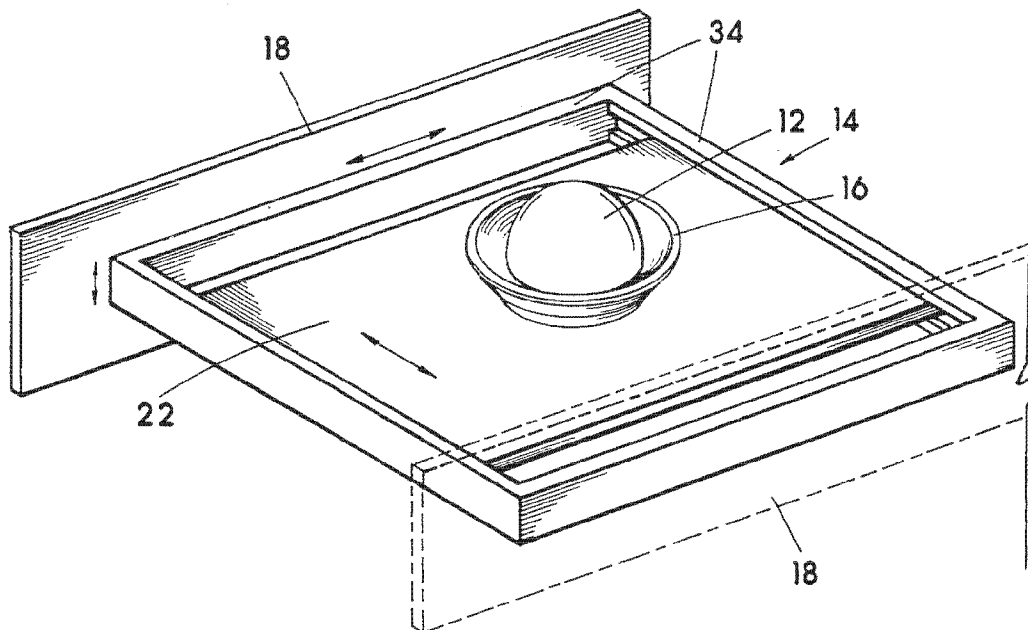
D. 355,901	2/1995	Bradley	D14/114
4,555,960	12/1985	King	74/471 XY
4,924,216	5/1990	Leung	345/158
4,933,670	6/1990	Wislocki	345/167
5,065,146	11/1991	Garrett	345/161
5,128,671	7/1992	Thomas, Jr.	345/161
5,237,311	8/1993	Wislocki	345/167
5,293,158	3/1994	Soma	345/161
5,298,919	3/1994	Chang	345/167
5,329,276	7/1994	Hirabayashi	345/161

OTHER PUBLICATIONS

"Development of a General Purpose Hand Controller for Advanced Teleoperation" KV Siva Harwell Laboratory, UK. Jul. 1988.

"Gyber Man" Logitech 1993.

18 Claims, 11 Drawing Sheets



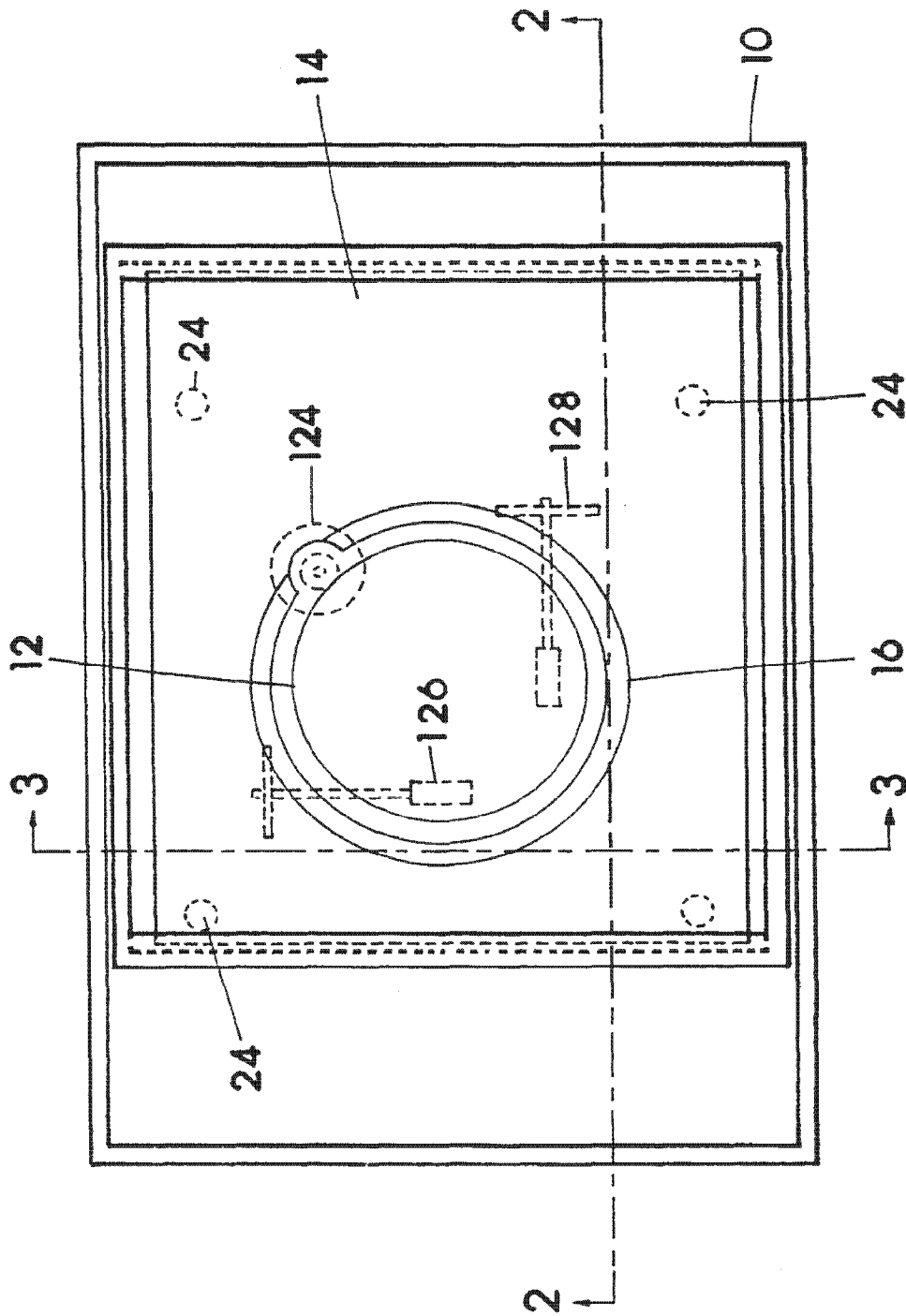
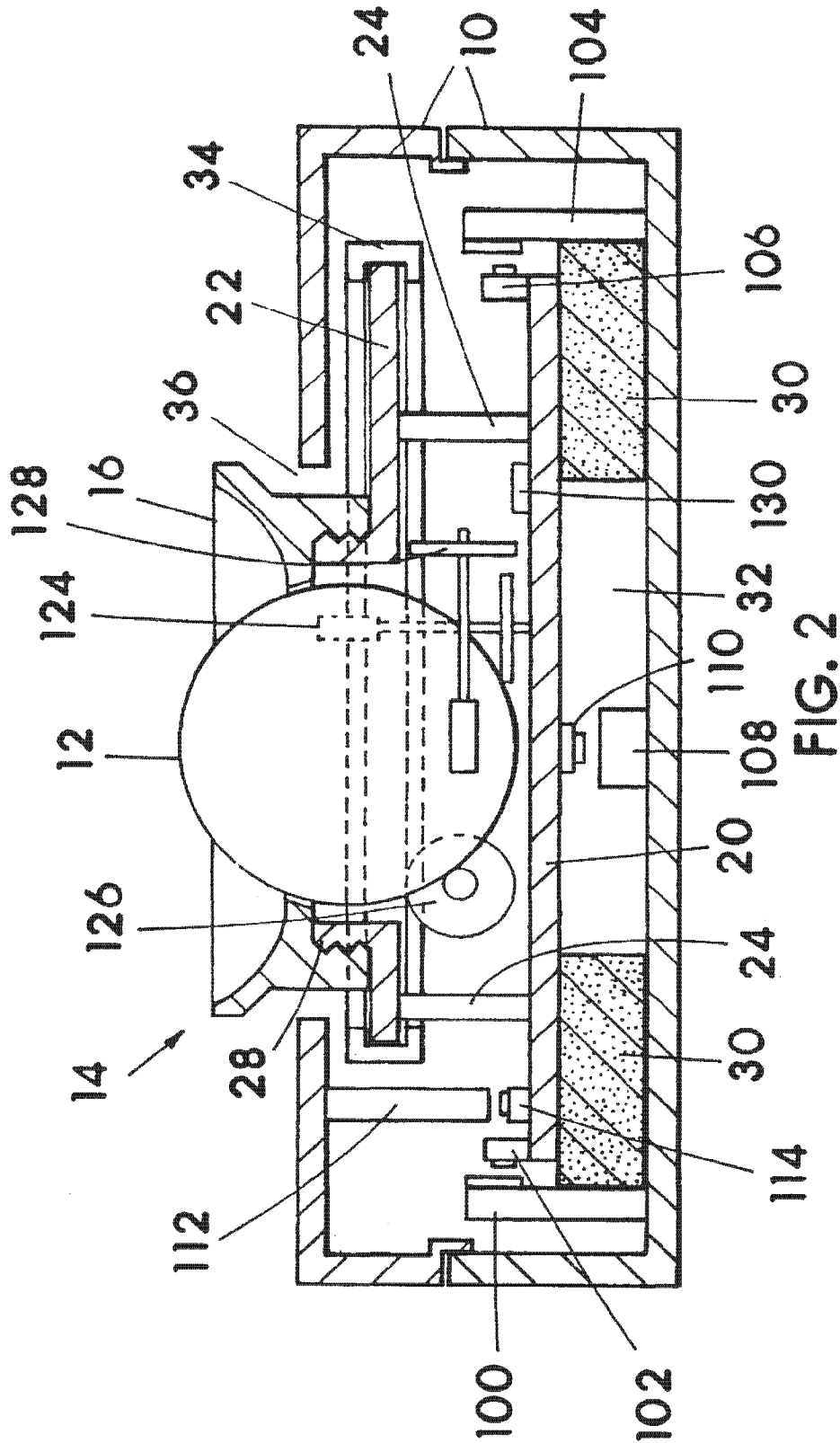


FIG. 1



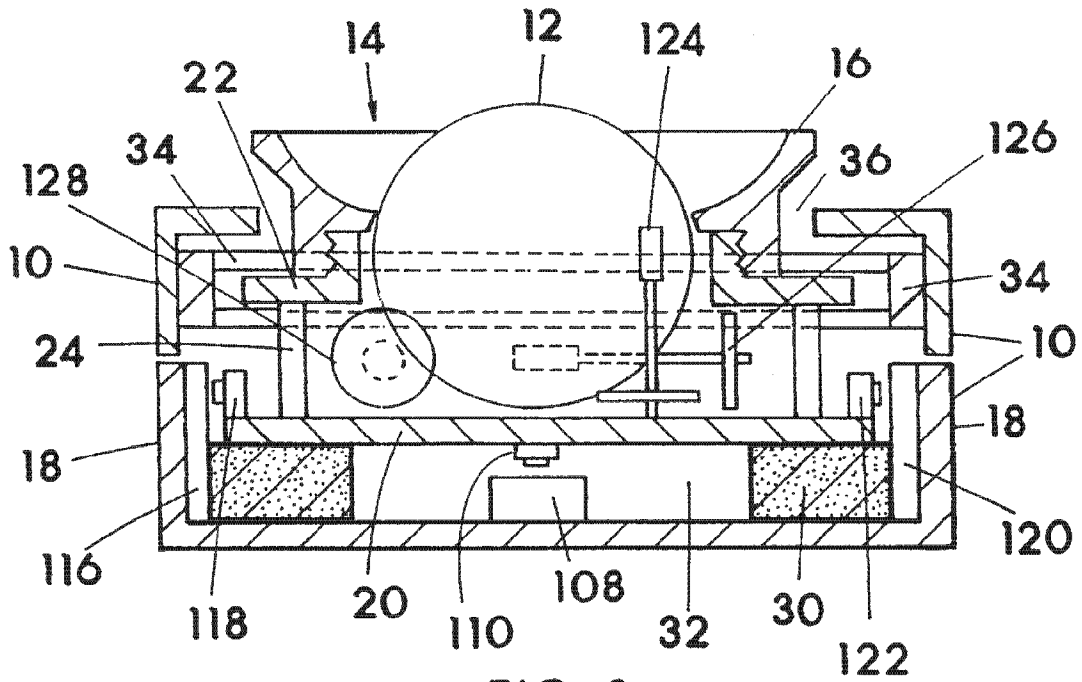


FIG. 3

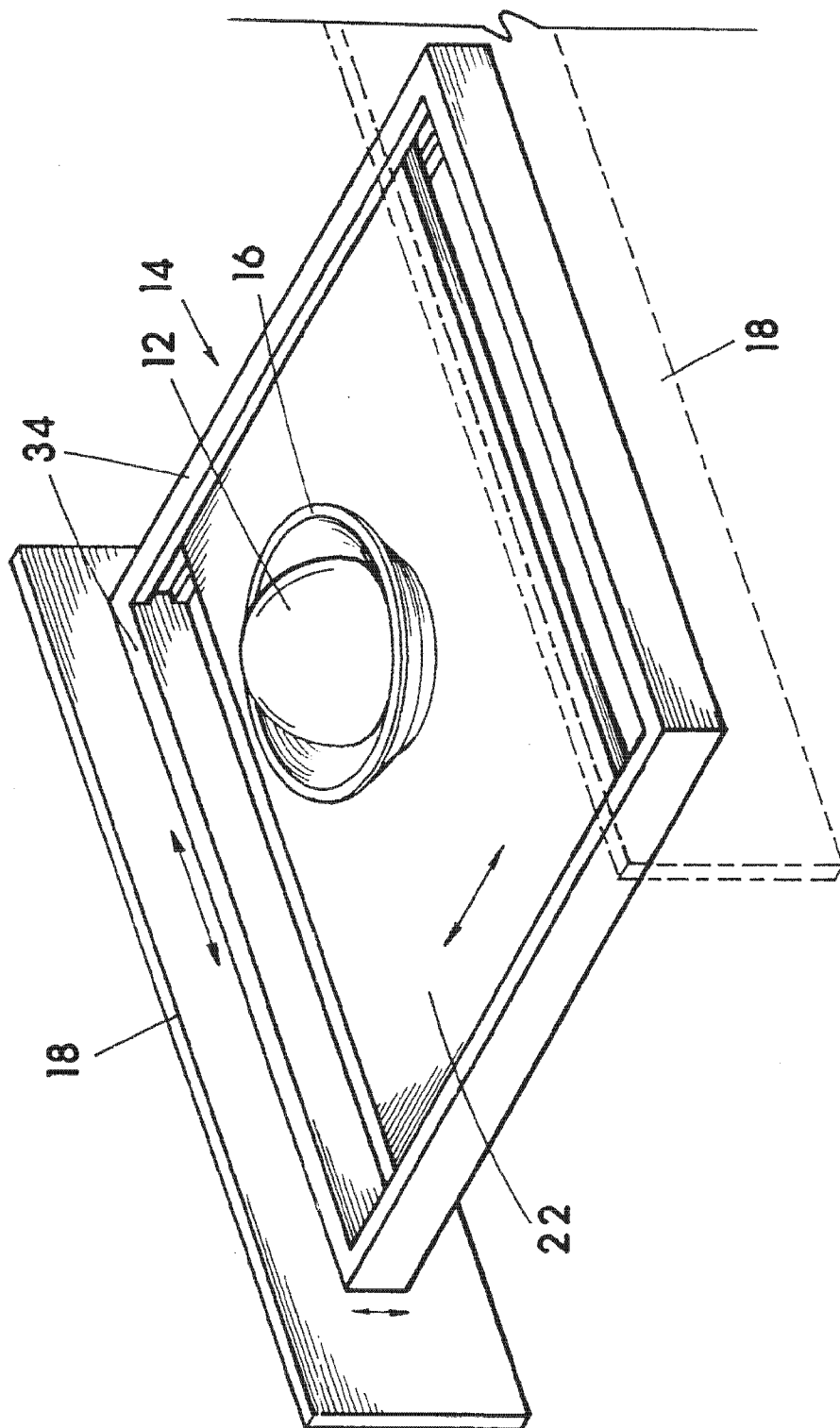
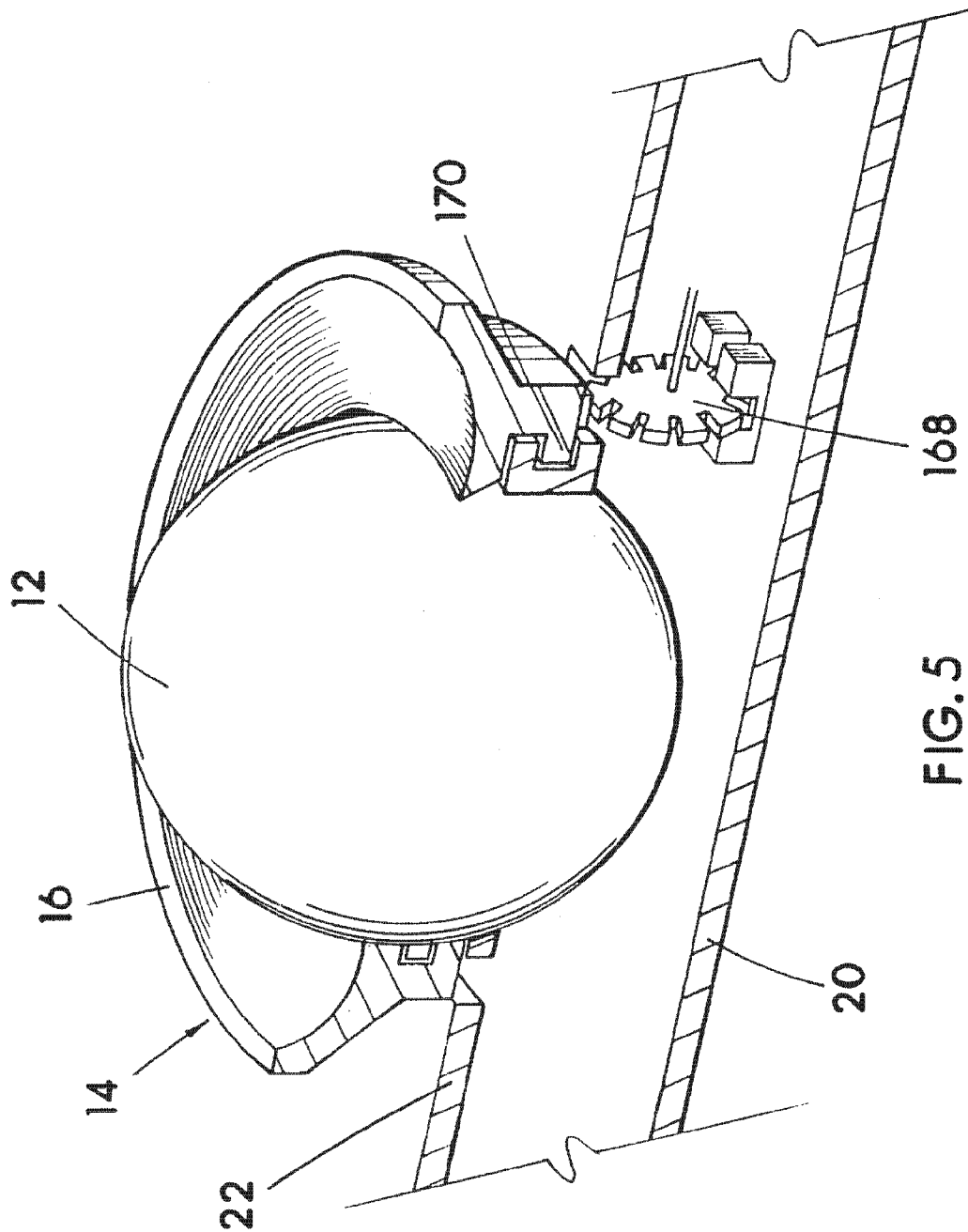


FIG. 4



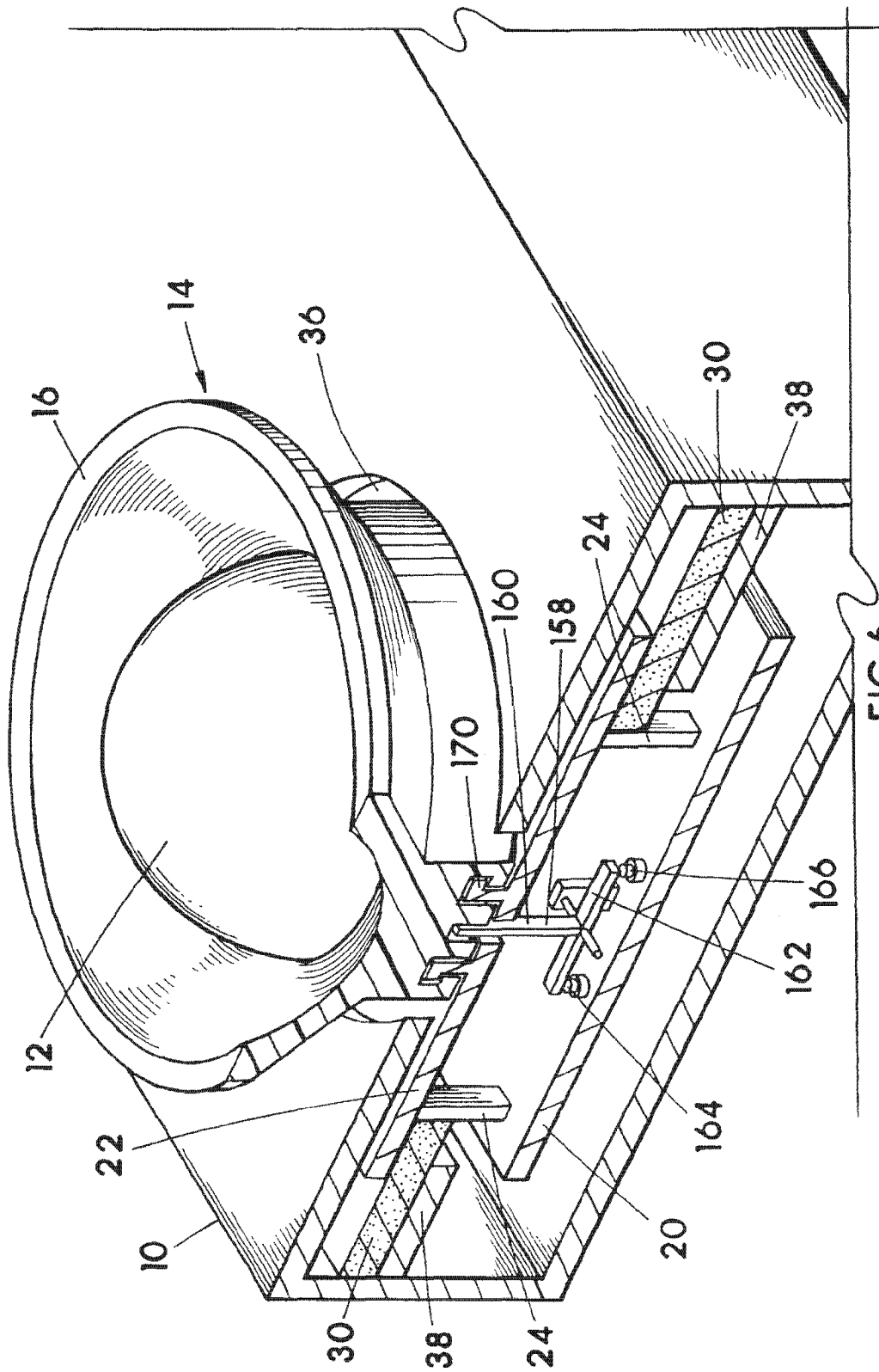


FIG. 6

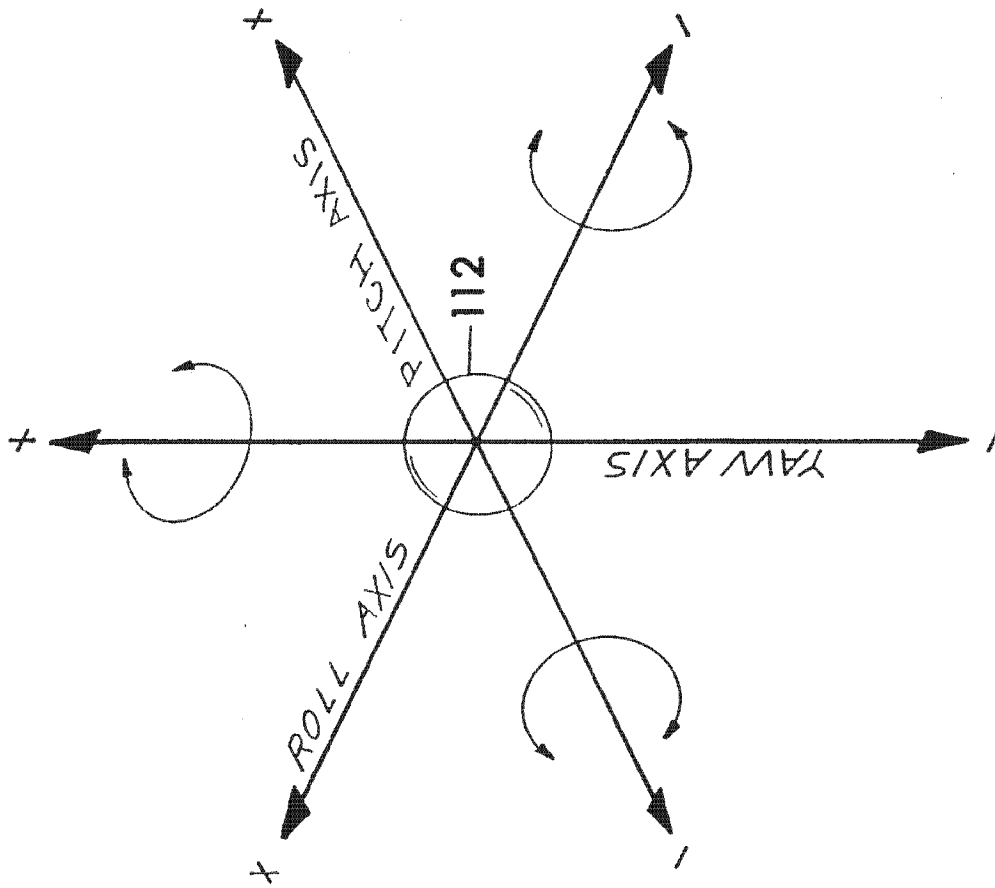


FIG. 7

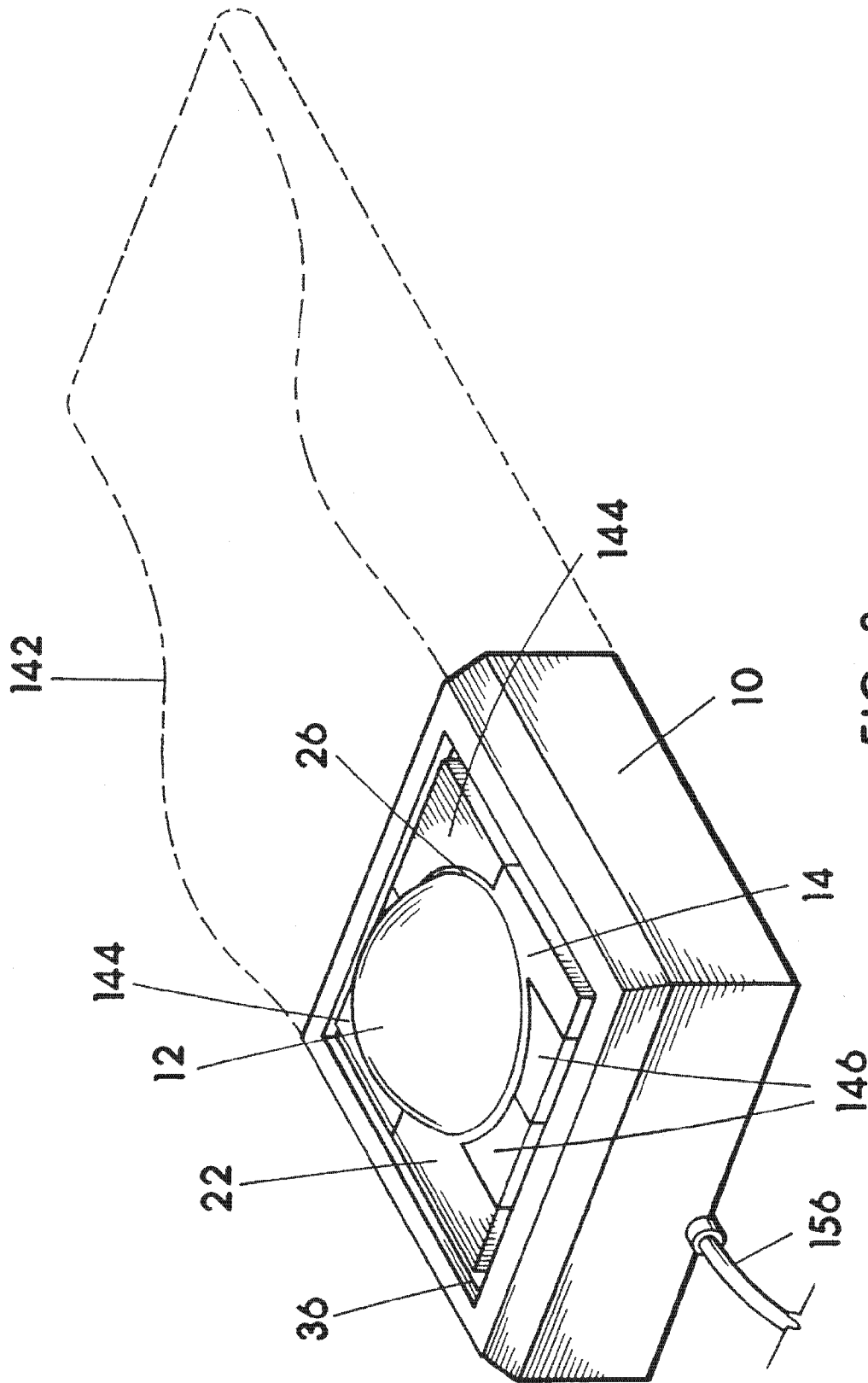


FIG. 8

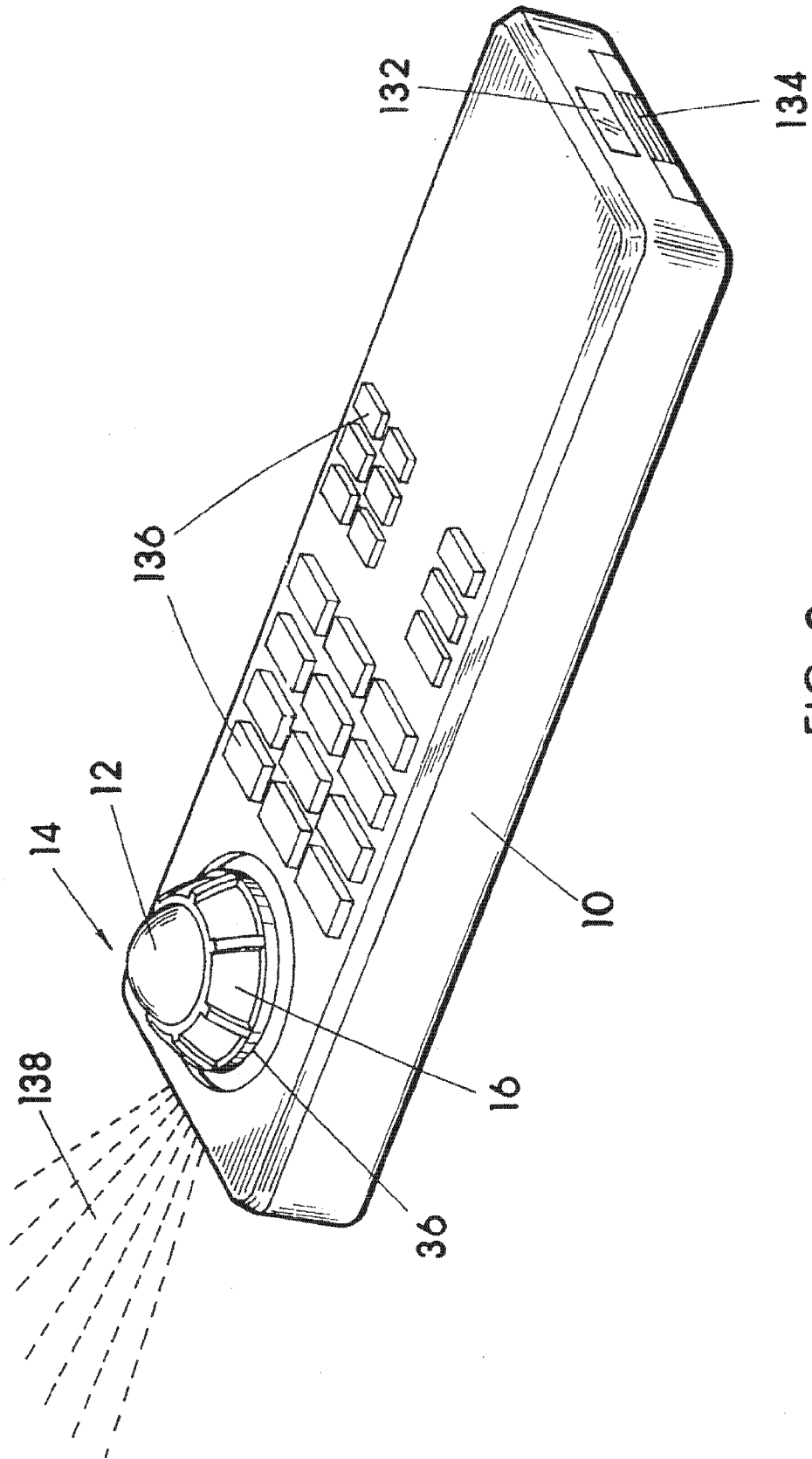


FIG. 9

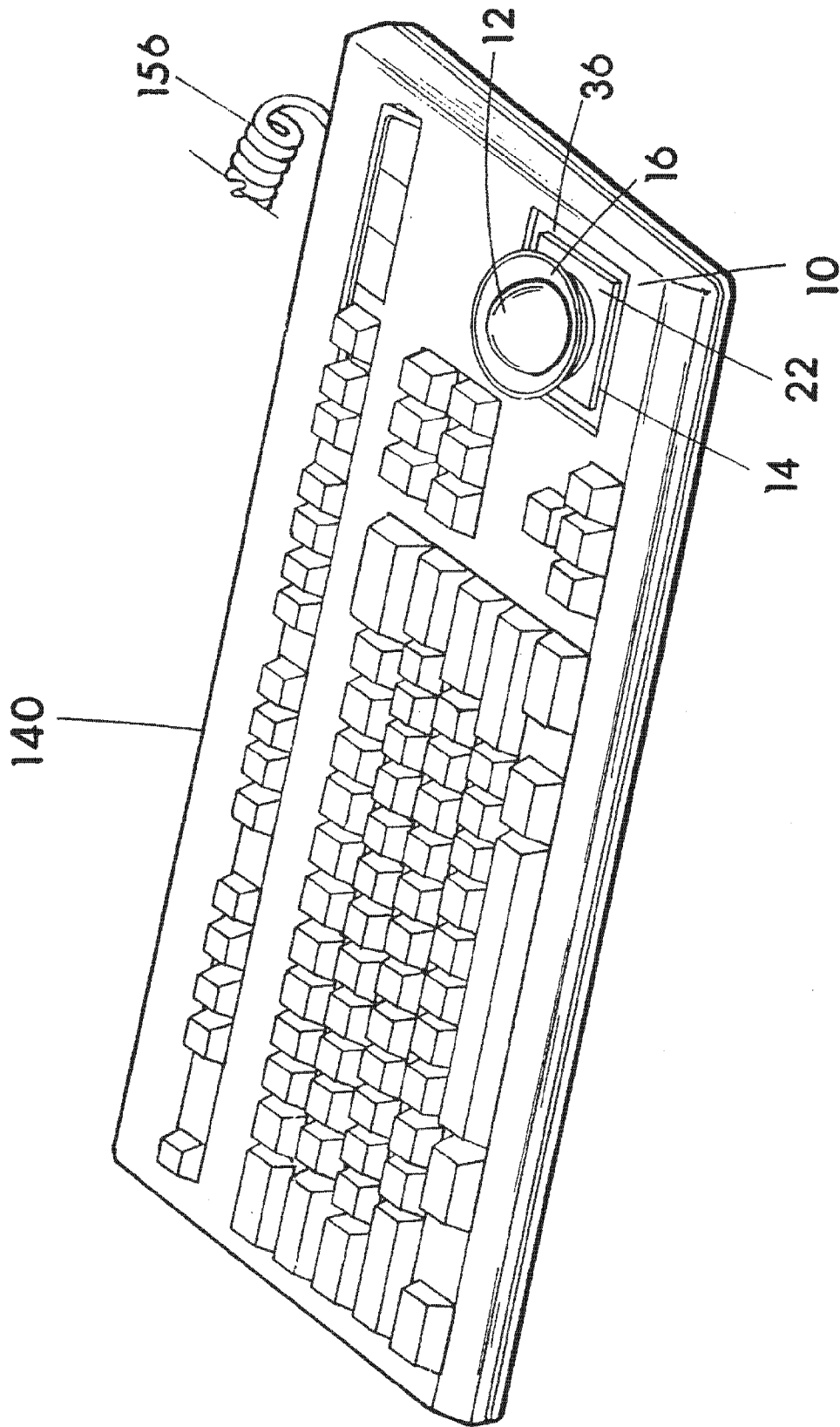


FIG. 10

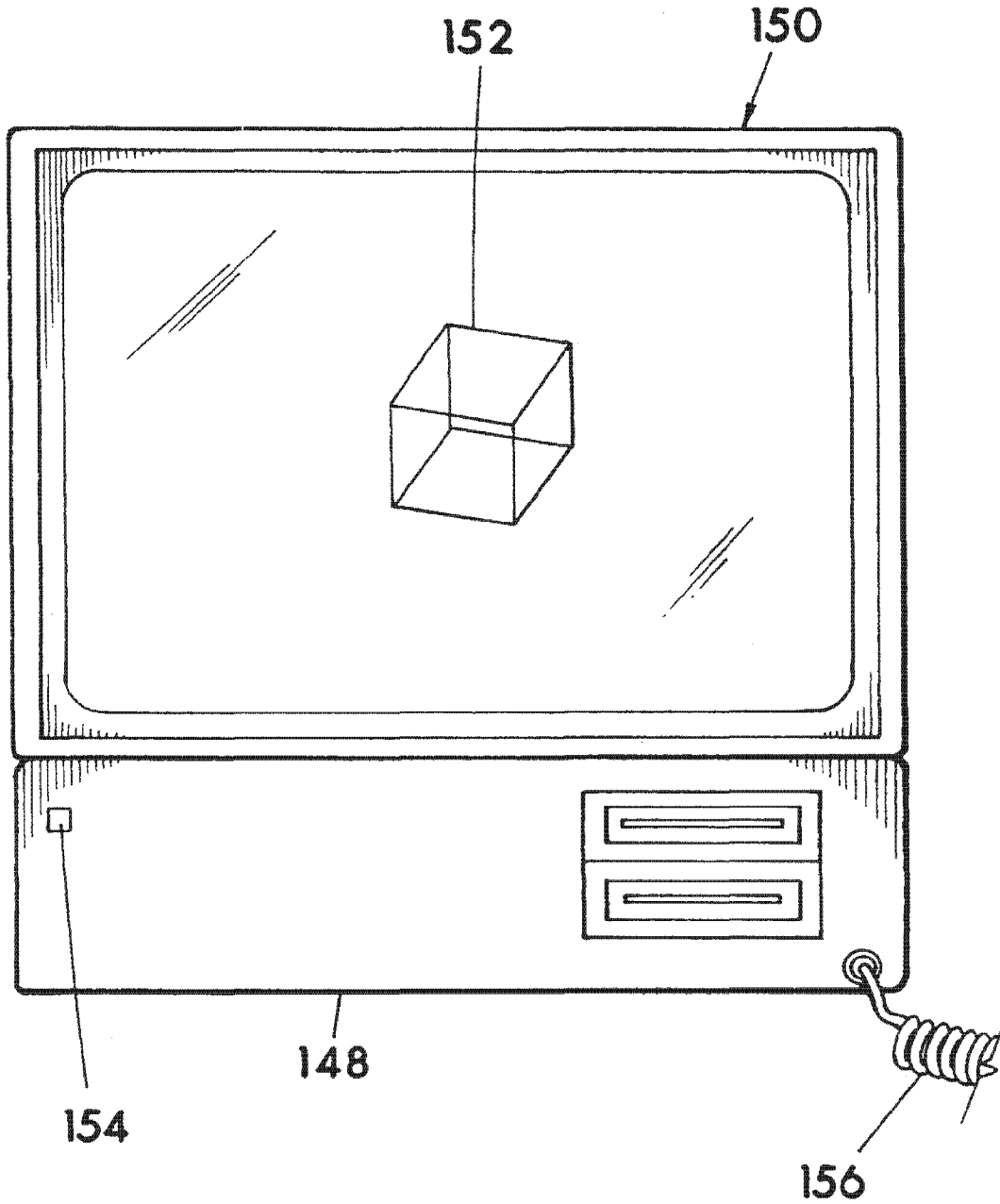


FIG. 11

SIX DEGREES OF FREEDOM GRAPHICS CONTROLLER

This application is a continuation-in-part of U.S. patent application Ser. No. 847,619 filed Mar. 5, 1992.

BACKGROUND OF THE INVENTION

1. Field of the Invention

This invention relates to control devices having six degrees of freedom input to be operated by the human hand. More specifically, the present invention is a six degree of freedom trackball for use as an input device for controlling or manipulating graphic images such as are displayed by a computer or television display, a head mount display or any display capable of being viewed or perceived as being viewed by a human.

2. Description of the Prior Art

Although there are many hand manipulated trackballs for use as computer control devices taught in the prior art, none are structured similarly to the present invention, and none offer all of the advantages provided by the present invention due to the significant structural differences.

One prior art disclosure which is known to me and which is believed somewhat relevant is taught in U.S. Pat. No. 5,298,919 issued Mar. 29, 1994 to M. Chang. The Chang device is a six axis computer controller for manipulation of computer graphics, and is structured as a mouse type input device having a roller ball on the underside requiring travel of the input device and housing thereof along a surface for the manipulation of the underside ball for input of information pertaining to two axes of linear movement, which is typical of "mouse" type controllers. The Chang device includes a thumb wheel to mimic linear movement along a third axis. The Chang device also includes a second roller ball (trackball) exposed for manual rotation on the upper surface of the housing, and upper trackball is provided to allow the user to input information pertaining to rotation about the three mutually perpendicular or orthogonal axes conventionally referred to as yaw, pitch and roll.

Disadvantages which I believe exist in the Chang device, which I believe I have inventively overcome with the present invention, include the requirement that the trackball housing be moved along a surface in order to input linear moment information. This requirement of surface contacting travel prohibits the use of the Chang device as a completely hand held controller, and prohibits the Chang controller from being incorporated into a multi-purpose controller such as a hand held television remote controller or a conventional computer keyboard. Additionally, substantial physical space is required on a desk or table on which to propel a mouse type controller.

Another disadvantage of the Chang controller is that it is not believed to be intuitive, or in other words, the mouse roller ball on the underside of the housing which inputs linear moment information in some directions, is not capable of inputs in all linear directions, and thus the Chang device includes the thumb wheel on the side which is utilized to emulate, approximate or represent linear movement along the third axis. The manipulative hand movements required to move linearly utilizing pushing of the mouse for some directions, and the actuation of the thumb wheel for other directions is not intuitive and thus sometimes confusing and difficult for the user. Furthermore, a mouse type controller such as Chang's cannot provide the desirable aspect of automatic return-to-center along the linear axes, or in other

words, with a mouse, the user must, in some cases, move the mouse back to center since there are no feasible arrangements for the use of return-to-center springs.

Another prior art disclosure which is known to me and which is believed somewhat relevant is taught in U.S. Pat. No. 5,237,311 issued Aug. 17, 1993 to N. C. Wislocki teaching a trackball and selection device. The Wislocki device includes a trackball protruding from a housing. The housing is hingedly supported on one side, and supported on a opposite side by compression springs. On the spring supported side is a selection switch activated with manual downward pushing of the housing or trackball. The Wislocki device is not a six degree of freedom controller or even a six axis controller, and does not teach or anticipate the structure and advantages of the present invention.

Therefore, there exists a need for further improvements in the field of 3D or six degree of freedom controllers for manipulating graphics such as on or through a computer and monitor or television screen or any display.

SUMMARY OF THE INVENTION

The following summary and detailed description is of best modes and preferred structures for carrying out the invention, and although there are clearly changes which could be made to that which is specifically herein described and shown in the included drawings, for the sake of brevity of this disclosure, all of these changes which fall within the true scope of the present invention have not herein been detailed, but should be apparent to those skilled in the art.

In order for a user to manipulate objects and/or navigate a viewpoint within a three-dimensional graphics display, I have developed a hand manipulated six degree of freedom trackball controller for use with a computer or computerized television or the like wherein the trackball is freely rotatable and movable linearly in all possible directions. The controller provides structuring for translating full six degrees of freedom physical input provided by a human hand into outputs or signals useful either directly or indirectly for controlling or assisting in controlling graphic image displays. The controller includes the partially exposed trackball which is freely spherically rotatable and movable linearly in all directions. The controller sends information describing rotation of the trackball about three mutually perpendicular axes herein referred to as yaw, pitch and roll; and information describing linear moment of the trackball along the axes to a host computer or like graphics generation device for manipulation or control of graphics or images of a display.

The controller includes a housing in part supporting and protecting a carriage, with the carriage supporting or retaining the trackball. The carriage is movably supported relative to the housing in such a way as to allow linear movement of the carriage and thus trackball in all possible directions along the three mutually perpendicular axes. Sensors are positioned for sensing rotation of the trackball and creating rotational related information indicative of the rotational direction, amount and about which axis the trackball is rotated. A portion of the carriage or the trackball is exposed to allow manual linear manipulation. Sensors are also positioned for sensing linear moment of the carriage and thus the carriage supported trackball relative to the housing and creating moment related information indicative of the direction of the sensed linear moment.

For the purposes of this disclosure, the term "moment" is being utilized as meaning status, or direction, indicated in terms of either position or pressure. Moment is primarily an

indication of the status of the carriage; what direction it is moved, and in that direction how far positionally it is moved, or how intensely it is pressed relative to the housing. These terms defining "moment" are somewhat dependent upon type and sophistication of the sensors utilized, and a variety of sensors may be utilized with the present invention. For example, simple on-off contact sensors will indicate the direction that the carriage is moved but only if it is moved a significant amount positionally sufficient to activate the sensor, and the on-off contact sensor will provide information describing whether the carriage is at the sensor or not at the sensor, which in either case is valuable and useful information. A more sophisticated proportional positional sensor such as a potentiometer or optical positional sensor, etc. will indicate direction and position to a greater degree. Pressure sensitive sensors which are commonly available will yield direction and intensity that the carriage is being pressed relative to the housing. Additionally, some types of proportional sensors coupled with return-to-center resilient structure may respond to a combination of position and pressure with one characteristic being dominant or more meaningful to output. The term "moment" is essentially a word indicating a significant event, status or current position.

For the purposes of this disclosure the term "sensor" or "sensors" is considered to include not only proximity sensors; variable resistive and/or capacitive sensors, piezo sensors, variable voltage/amperage limiting or amplifying sensors and switches, potentiometers, resistive and optical encoders and the like, but to also include simple on/off switches.

With the present invention, there exists no requirement that the housing be moved or repositioned like that of a mouse type control for a computer, and this aspect renders many advantages. For example, the movable carriage supporting the trackball may be built into or attached onto an otherwise conventional computer keyboard; built into a hand held television style wired or wireless remote control device; built into the arm of a chair, or it may be built into a housing specific for the carriage and trackball, and one which is structured to rest upon a support surface such as a table or desk when utilized.

A primary object of the invention is to provide an improved hand manipulated six degrees of freedom controller primarily for use in controlling or at least assisting in controlling graphic images such as those displayed by a computer, television display, head mount display or heads-up display, or the like.

A further object of the invention is to provide and meet the aforementioned objects in a six degree of freedom controller while providing the advantage of versatility of complex movements wherein all three perpendicular Cartesian coordinates (three mutually perpendicular axes herein referred to as yaw, pitch and roll) are interpreted bi-directionally, both in a linear fashion as in movement along any axis and a rotational fashion as in rotation about any axis. These linear and rotational interpretations can be combined in every possible way to describe every possible interpretation of three dimensions.

A further object of the invention is to provide and meet the aforementioned objects in a six degree of freedom controller which includes structuring allowing for the linear related information to be pure linear, not including even a small degree of arcing or rotational information. It is anticipated some demanding control applications do or will require the allowance of pure or complete separation of rotation and

linear travel, and the preferred structure of the present invention will provide such pure separation.

A further object of the invention is to provide and meet the aforementioned objects in a six degree of freedom controller which allows for the application and advantage of sensor choice. This invention is an input device that has physical manifestations that can stimulate any of various types of useful sensors. The invention can be constructed with sensors as inexpensive as simple electrical contacts for linear information or more sophisticated proportional sensors such as positional or pressure reading sensors, or the like.

A further object of the invention is to provide and meet the aforementioned objects in a six degree of freedom controller while providing the advantage of a generally stationary input position for the user. Unlike the prior art, such as typical mouse devices which require travel of the ball physically over a surface to activate sensors, and the surface area requirement might be great, the present invention requires no significant physical movement along a surface.

A further object of the invention is to provide and meet the aforementioned objects in a six degree of freedom controller which preferably includes resilient structuring providing a self centering or return to a center null position of the controller structuring regarding linear movements, and further, wherein there exists a small degree of "play" between significant sensor activation or moment which helps compensate or provide a degree of forgiveness for small unintentional hand movements on the controller.

A further object of the invention is to provide and meet the aforementioned objects in a six degree of freedom controller which preferably includes a detectable feedback, preferably felt by the user's hand, or possibly audibly detected, which will indicate that he has moved the trackball carriage sufficiently from the null position to activate a linear sensor.

A further object of the invention is to provide and meet the aforementioned objects in a six degree of freedom controller which could also be useful as a simple two axis controller such as a typical mouse or trackball.

A further object of the invention is to provide and meet the aforementioned objects in a six degree of freedom controller which is relatively inexpensive to manufacture, using relatively few parts which can be inexpensively purchased and/or manufactured utilizing modern manufacturing processes including plastic injection molding.

These, as well as further objects and advantages of the present invention will become better understood upon consideration of the remaining specification and drawings.

BRIEF DESCRIPTION OF THE DRAWINGS

FIG. 1 is a top view of an embodiment of the invention within a housing specific for the carriage and trackball.

FIG. 2 is a cross-sectional side view of the FIG. 1 embodiment taken at line 2.

FIG. 3 is a cross-sectional end view taken at line 3 of FIG. 1.

FIG. 4 is a partial illustration of a carriage, a trackball and a track frame between two walls.

FIG. 5 is an illustration showing a portion of a carriage, a trackball, and a collet which is rotatable about the trackball which can be used within the scope of the present invention. An encoder is shown as an example of a sensor in contact with the bottom of the collet.

FIG. 6 is an illustration showing a portion of a housing, a carriage, a trackball, and another form of the rotatable collet.

5

FIG. 7 shows three mutually perpendicular axes herein referred to as yaw, pitch and roll shown having a mutual point of intersection at the center of the trackball.

FIG. 8 is an illustration of a housing structured specific for the carriage and trackball, and one which is structured to rest upon a support surface such as a table or desk when utilized. A dotted outline indicates the possibility of an additional extension which is ergonomically designed as a wrist and forearm rest.

FIG. 9 is the carriage and trackball in a hand held housing sized and shaped to be grasped in a hand of a user while the user manipulates graphic images with the controller.

FIG. 10 is the carriage and trackball housed in an otherwise relatively conventional computer keyboard.

FIG. 11 represents a display such as a computer or television display showing a cube displayed three dimensionally.

BEST MODES FOR CARRYING OUT THE INVENTION

Referring now to the drawings in general and to FIGS. 1-4 in particular wherein an embodiment of the present hand manipulated six degree of freedom controller for outputting control information is illustrated showing a rectangular housing 10 with trackball 12 from a top view. FIGS. 2-3 being cross-sectional views of the FIG. 1 embodiment showing housing 10 which can at least in part support, retain and protect the movable carriage 14. All of the structural embodiments of the invention preferably include some form of housing 10, i.e. enclosure being useful for not only in part or in full retaining and supporting the movable carriage 14, but being useful for physically protecting delicate parts, wires, electronic components and the like, and for aiding to prevent the entrance of debris to such a degree as to adversely effect operation of the controller.

As may be appreciated already from the above writing and drawings, carriage 14 is supported at least in part within housing 10 and with structuring for allowing carriage 14 to be movable or moved in all linear directions relative to housing 10, for example, left, right, forward, rearward, up and down, and in the possible combinations thereof. Furthermore, housing 10 may be specific for the present six degree of freedom controller as exemplified in FIGS. 1-3 and 8, or housing 10 of another functional device such as an otherwise typical hand held remote control housing or computer keyboard housing as shown in FIGS. 9 and 10 respectively, and offering or including functions such as keyboarding, on/off, volume control, channel control and the like in addition to that offered by the present six degree of freedom controller. Housing 10 may be in effect the panel or panels of a control console of a vehicle or machine. Housing 10 may be any size within reason, although trackball 12, any exposed part of carriage 14 or housing 10 intended to be manually manipulated or hand held should of course be correctly sized to interface with the human hand or hands. When housing 10 is too large to allow easy use of the housing walls upon which to place carriage movement stops (stationary walls or posts to limit movement of the carriage) or sensor actuators or sensor supports such as would be likely with the keyboard housing of FIG. 10 wherein the housing side walls are a substantial distance apart, then walls, partitions or posts specific for these purposes may be placed in any desired and advantageous location within housing 10 as shown for example in FIG. 2 wherein actuators 100 and 104 are shown extending vertically upward

6

from the interior bottom of housing 10, inward of the interior side walls, and supporting or serving as a switch/sensor actuator, or a second component of the sensor, such as a second component of a two piece proximity sensor for example. Actuator 100 functions in conjunction with forward sensor 102, and actuator 104 functions in conjunction with rearward sensor 106 in this example. FIG. 3 illustrates for example the use of side walls 18 of housing 10 as the sensor actuators 116 and 120 or anvil for right sensor 118 and left sensor 122. Housing 10 in most all applications will be made of rigid or semi-rigid plastics for cost, weight and strength considerations, although other materials might be functionally suitable.

Although it must be noted that within the scope of the invention carriage 14 functions may conceivably be provided with numerous structures, carriage 14 is shown in the drawings as including a lower member 20 and an upper member 22 positioned above lower member 20. Lower and upper members 20, 22 in this example are each plate-like and rectangular, are in spaced parallel relationship to one another, are horizontally disposed, and are rigidly connected to one another via vertically oriented rigid connecting posts 24. Upper member 22 and lower member 20 are preferably of rigid materials such as rigid plastics, as are connecting posts 24 which may be integrally molded as on part with upper member 22. Typically four connecting posts 24 would be used as indicated in dotted outline in FIG. 1. Upper member 22 includes an opening 26 in which trackball 12 resides and extends partly therethrough, and opening 26 may include an annular raised lip or ring such as a threaded ring 28 or the like for engaging a cooperatively structured collet 16 such as one having threading at the bottom edge thereof, or it may be an opening absent any raised lip or extending collet as illustrated in FIG. 8 wherein trackball 12 is shown extending upward through opening 26 in upper member 22. Collet 16, if utilized, serves as an easily gripped member allowing the human hand to move carriage 14 and thus trackball 12 in any linear direction desired, although when a collet 16 is not utilized, trackball 12 can be grasped by the fingers of the hand to also move carriage 14 in any linear direction. I prefer the use of a collet 16 because it renders linear movements of carriage 14 easier, and a collet 16 as shown in FIGS. 2-3, i.e., outward and upwardly extending with an open space thereunder allows the user to place collet 16 between his index and middle fingers with his hand partially inverted to move carriage 14 in any linear direction while having his thumb on the exposed portion of trackball 12 to rotate the trackball about any axis, and this all with just one hand. This placement of the hand and thumb is of course up to individual choice, although such hand and finger placement as described above will function well. A collet 16 as shown in FIG. 9 will also function well, although it does not provide a lip for the user's fingers to hook under or straddle as described above. If a collet is not used, then the exposed portion of trackball 12 is available for grasping with the fingers to apply force in any linear direction, much like a basketball player grasps a basketball in one hand or in the fingers. I have considered placing an exposed handle extending from the upper member 22 adjacent trackball 12 to be grasped to apply linear forces to carriage 14 and thus trackball 12, but I prefer a collet 16 around trackball 12 because it is a central manipulating area rendering the controller more intuitive via centralizing the area for hand input for both linear and rotational force, and collet 16 retains trackball 12 in an easily installable, removable fashion for cleaning and initial ease of manufacturing and assembly, and this is believed to be clearly advantageous.

I have also designed an embodiment with collet 14 having an extending shaft portion to support trackball 12 in a substantially elevated position above the upper surface of housing 10, wherein carriage 14 possibly in conjunction with a collet 16 define an elevated handle-like pod retaining the in-part exposed spherically rotatable trackball 12 on the distal end of an extending handle-like structure. The sensors (encoders) for detecting rotation of trackball 12 about the yaw, pitch and roll axes would need to be appropriately positioned and mounted to be in contact with trackball 12.

Lower member 20 of carriage 14 preferably physically supports rollers, bearing or slide members or smooth surfaces which otherwise aid in supporting trackball 12 in a freely spherically rotatable manner, and in the example illustrated, three mutually perpendicular encoders (sensors) 124, 126, 128 for sensing rotation, direction and amount of rotation of trackball 12 about the yaw, pitch and roll axes include rotatable wheels upon and against which trackball 12 rests, and is thereby rotatably supported. In most applications, the weight of trackball 12 and its most common positioning within the supporting rotatable wheels of the encoders causes sufficient frictional engagement between the encoder wheels and trackball 12 so that rotation of the trackball causes rotation of one or more of the encoders, depending upon the axis about which trackball 12 is rotated. The structure of carriage 14 and collet 16 if the extending collet is used, is sufficiently close in fit to trackball 12 to render a substantial link in linear movement between carriage 14, collet 16 and trackball 12. In other words, linear movements in trackball 12 are substantially equal to linear movement of carriage 14 and collet 16. It should be noted that I consider collet 16 as shown in FIG. 2 and some other drawings, whether it is a fixed or rotatable collet (to be detailed) to be part of carriage 14 since it is supported or fastened to carriage 14 and moves therewith.

As previously stated, carriage 14 is supported with structuring for allowing it to be movable in all linear directions relative to housing 10, for example, left and right which is linear movement along the pitch axis in this example; forward and rearward which is linear movement along the roll axis in this example; up and down which is linear movement along the yaw axis in this example; and in the possible combinations thereof, and sensors are positioned to detect and provide (output) information related to such linear movements of carriage 14 relative to housing 10. Clearly since trackball 12 and collet 16 are linked to move linearly with carriage 14, trackball 12 can be moved linearly in all directions relative to housing 10. I prefer carriage 14 to not be rotatable relative to housing 10 since rotation interpretations about the three mutually perpendicular axes (see FIG. 7) are provided via trackball 12 and encoders 124, 126, 128 for sensing spherical rotation of trackball 12 about yaw, pitch and roll. Therefore, I prefer carriage 14 to be supported or retained in such a manner and by appropriate structure to allow carriage 14 to be moved linearly in all possible directions, but prevented from being axially rotated relative to housing 10 so that trackball 12 can be rotated when desired without carriage 14 unintentionally being rotated, and this so the encoders will be rotated. I would consider it to be within the scope of the invention if carriage 14 was to be supported in a manner which would allow limited axial rotation thereof, although I believe this to be an undesirable aspect.

Although the structuring to physically support carriage 14 so it can be moved in any linear direction can conceivably be accomplished through numerous structural arrangements, essentially two are illustrated for example in the included

drawings, with a first shown in FIGS. 1-4, and a second shown in FIG. 6. As mentioned above, I prefer there be a return-to-center aspect regarding carriage 14, and preferably a center null associated with this return-to-center wherein no significant linear sensor activation occurs. This carriage return-to-center and to center null can conceivably be accomplished with numerous structures, but one structure which should be readily understandable and therefore makes a good example is to simply utilize on/off switches as the carriage position linear sensors for moment related information output, with the switches including activation buttons which are outwardly spring biased, wherein carriage 14 can be pushed against one of the switches to the point of activating the switch (closing a set of contacts), which of course sends or outputs information relating to this event via allowing or interrupting current flow, and the button spring being depressed by carriage 14 would then push carriage 14 back toward the center and the null position upon the user releasing pressure toward that particular switch. Furthermore, as mentioned above, if such an on/off switch using spring biasing were to be of a type which made a detectable click or snap upon being activated by pressure from carriage 14, and this is a commonly available snap switch, then this click or snap could be felt or heard by the user, and thus the user would be provided information alerting him of the activation or possibly deactivation of the switch. Snapping or clicking mechanisms which are not sensors can of course be installed when sensors of a type which are silent are used, and tactile or audible signals indicating sensor activation or deactivation is desired.

With reference to FIGS. 2-3, expanded foam rubber 30 is shown placed against the bottom interior of housing 10 and underneath lower member 20 of carriage 14. Snap or spring biased switches as described above may be used in conjunction with foam rubber 30. Foam rubber 30 is a resiliently compressible and thus spring material. Foam rubber 30, and other spring materials such as coiled compression springs, leaf springs and the like could conceivably be used instead of foam rubber, however foam rubber functions well, is inexpensive, readily available and easily shaped or cut. I have even considered suspending carriage 14 on tension springs hung from the underside interior of housing 10, but this seems to be an excessively complicated structure compared to using foam rubber as shown and described. Foam rubber 30 in the example of FIGS. 2-3 is a rectangular piece having a center cut-out or opening at 32 to allow for the interaction of down sensor 110 shown mounted on the underside of lower member 20 with actuator 108 specific for interaction with down sensor 110 located beneath the sensor 110. The actuator 108 for down sensor 110 is sized to allow the abutment or actuation of the down sensor 110 no matter where carriage 14 has been moved laterally when the user wishes to push down on carriage 14 to activate the sensor 110. Foam rubber 30 being compressible will allow the user to push down on trackball 12 or collet 16, or possibly the exposed top of carriage 14 (upper member 22) to push carriage 14 downward to activate the down sensor 110. This pushing downward compresses the foam rubber 30, and when the user releases the downward pressure, the foam rubber 30 being resilient pushes carriage 14 upward again to deactivate the down sensor 110 and to move carriage 14 into the center null position. Foam rubber 30 in the example shown in FIGS. 2-3 is rectangular and slightly larger in all dimensions than the size of lower member 20, and the foam rubber 30 is affixed to the underside of lower member 20 such as by glue or mechanical fasteners so that the foam is securely affixed to the lower member (carriage). Since the

foam rubber 30 is slightly larger than the lower member 20, the foam rubber 30 extends outward laterally beyond all peripheral sides of the lower member 20. This extending portion of the foam rubber 30 serves as a spring bumper which as shown in FIG. 2 is compressed against actuators 100, 104 (or housing side walls 18 under some circumstances) prior to the sensors 102, 106 shown on the left and right being activated, and in the case of the FIG. 3 drawing is compressed against the side walls 18 of housing 10 prior to the sensors 118, 122 shown on the left and right being activated. When the user releases the pushing pressure, the compressed foam rubber 30 will push carriage 14 back toward the center null position, as the foam rubber 30 is normally in a partially extended state, being able to be compressed and to then spring back. The up sensor 114 shown in FIG. 2 is shown mounted on the top of the lower member 20, and the weight of carriage 14 is normally sufficient to pull carriage 14 and sensor 114 downward away from its actuator 112 upon release of upward pulling pressure by the user, although a spring such as a foam rubber pad or the like could conceivably be placed between the underside of the housing top panel and the upper member 22 to push carriage 14 downward to deactivate the up sensor 114 if weight and gravity were insufficient or unavailable such as in outer space. The actuator 112 for the up sensor 114 is shown suspended from the interior underside of the housing top portion, and is a member which may be formed as an integral component of housing 10 if desired. The actuator 112 for the up sensor 114 may be simply an anvil against which a snap switch mounted on carriage 14 strikes or is pressed against, or it may be a second component of the sensor, or may be supporting a second component of the sensor such as the second component of a two piece proximity sensor, and this is generally true of all of the actuators shown and described. Also generally true of all of the actuators shown and described is that they must be sufficiently large and or properly positioned be useful even when carriage 14 is moved to any allowed extreme position.

In FIGS. 2-4 is track frame 34 located under the top of housing 10. Track frame 34 is free to be moved vertically within housing 10, which will allow carriage 14 to be moved vertically to activate the up or down sensors 114, 110. Additionally from FIGS. 2-3 it can be seen that carriage 14 is sized and shaped relative to housing 10 and components within housing 10 such as the actuators to allow carriage 14 to be moved in all linear directions, although only in small amounts in the example shown. I prefer the linear movement requirements from the center null to activating a sensor or sensors to be small, although the distances could be made substantial if desired. The track frame 34 is a structure which can be utilized to positively prevent axial rotation of carriage 14. The foam rubber 30 of FIGS. 2-3 being positioned tightly between either walls or actuators or both on the four peripheral sides of the foam normally serves to a satisfactory degree as an anti-axial rotation structure for carriage 14, however, for more positive prevention of axial rotation of carriage 14, track frame 34 or like structure may be applied. As shown in FIG. 4, track frame 34 is a rectangular frame opened centrally in which upper member 22 is slidably retained. Two oppositely disposed sides of frame 34 are abutted, but slidably so, against and between two stationary parallel walls which may be side walls 18 of housing 10 or partitions installed specific for this purpose. The lower member 20 in this arrangement would be supported by resting on foam rubber 30, and if upper member 22 were pushed forward or rearward for example, frame 34 would slide between the walls 18. Frame 34 can also move up and

down sliding between the walls 18, but due to the close fit, the frame 34 will not axially rotate between the walls 18. The upper member 22 fits lengthwise snugly yet slidably between two oppositely disposed U-shaped track sides of frame 34 as can be seen in FIGS. 2 and 4, but is narrower than the width of the frame 34 as can be seen in FIGS. 3-4, and thus when upper member 22 is pushed forward and rearward (for example) it pushes frame 34 with it due to the close fit in this direction between the frame 34 and upper member 22, and when upper member 22 is pushed left and right (for example) it slides in the U-shaped track portion of frame 34, as the frame 34 cannot move in these directions due to its close abutment against the parallel walls 18. When upper member 22 is moved up and down, track frame 34 moves up and down also, as does the balance of carriage 14 and trackball 12. It should be remembered that in this example, upper member 22 and lower member 20 are rigidly tied together with connecting posts 24, and that the members 20 and 22 constitute components of carriage 14, and that the carriage is to be manually manipulated linearly via a hand applying force to collet 16 or the trackball or both, or possibly an exposed portion of the upper member 22 as mentioned previously. It should be noted that a space 36 or clearance is provided between the upper portion of the housing surrounding trackball 12, carriage 14 or collet 16 to allow movement of carriage 14 laterally, since carriage 14 and trackball 12 move independent of housing 10. The space 36 or crack may be covered with flexible or rubbery sheet material or any suitable boot or seal arrangement to exclude debris, or the space 36 (crack) may be kept (manufactured) narrow or small to be less likely to collect debris.

Another example of using foam rubber 30 is shown in FIG. 6 wherein the foam 30 is located atop a stationary shelf 38 within housing 10, and directly under upper member 22 which rests atop of the foam rubber 30. Foam rubber 30 extends beyond shelf 38 inward as may be seen in the drawing. The inward most edges of the foam rubber 30 are abutted against the vertical connecting posts 24 of carriage 14. The carriage 14 being supported by foam rubber 30 being between the underside of upper member 22 and the top of the shelf 38 is allowed to be moved in all linear directions, and the foam rubber 30 abutting connecting posts 24 and abutting the interior of the housing walls as shown functions as a return-to-center and return to null arrangement much like that described for the FIGS. 2-3 structural arrangement. The shelf 38 in this example should be on all interior sidewalls of housing 10, or at least under some resilient foam placed about the periphery of carriage 14. It should be noted clearance above upper member 22 and the top interior surface of housing 10 must be provided to allow upward movement of carriage 14 with pulling action to activate the up sensor 114, and the support for carriage 14 such as the foam rubber must allow carriage 14 to move away and to clear the activation of the up sensor 114 upon the termination of the upward pulling pressure on carriage 14, and this principle applies in most if not all embodiments of the invention.

With reference to FIGS. 5-6 for a brief description of an optional arrangement wherein collet 16 could be rotatably attached to upper member 22 allowing collet 16 to be manually rotated about trackball 12, as opposed to being non-rotatably affixed to upper member 22 as in the FIGS. 1-3 embodiment. The rotatable collet of FIGS. 5-6 may at least for some users be an easier process to achieve rotation about the yaw axis as compared to rotating trackball 12 at least in terms of rotation about yaw. The rotating collet may be able to rotate 360 degrees as in FIG. 5, or only in part

rotatable as in FIG. 6 wherein collet 16 can only move through a short arc back and forth, being limited such as by a multi-position rocker style sensor 158. Both of the collets 16 shown in FIGS. 5-6 are connected to the upper member 22 via a loose fit tongue and groove connection shown for example at 170, the tongue being an upward extension of upper member 22 and the groove being a component of collet 16 and engaged over the tongue. In FIG. 5 an optical encoder 168 is shown as an example of a sensor in contact with the bottom of collet 16 so that rotation of collet 16 in either direction rotates the optical wheel of the encoder 168, this could be achieved by gear teeth around the outer periphery of a drive wheel of encoder 168 mated to gear teeth around the bottom of collet 16, and the encoder outputs information indicative of the direction and amount of rotation of collet 16 about the yaw axis. In FIG. 6 a rocker style sensor assembly 158 includes a T-shaped member and having a vertical center arm 160 engaged within a groove in the underside of collet 16, and the T-shaped member being pivotally supported at a lower center so that the two oppositely disposed lateral arms 162 may be pivotally moved up and down dependant upon the direction of rotation of the collet to interact with a direction indicating negative sensor 164 and a direction indicating positive sensor 166 shown mounted on lower member 20. The negative and positive sensors 164, 166 may be simple on/off switches, or may be more sophisticated sensors which indicate degree or pressure in addition to the direction collet 16 has been rotated, such as by varying voltage via resistance changes, or by varying electrical output such as with piezo electric material and the like. When a rotatable collet is used, a sensor is used to detect rotation of collet 16 as described above, but this does not bar still having a sensor (encoder) in communication with trackball 12 for detecting rotation of the trackball about the yaw axis, and this would give the user the option of rotating about yaw via the trackball or the rotatable collet.

I prefer, in all embodiments of the present invention, although it is not essential to be within the scope of the invention, that most all of the circuits, switches and sensors be mounted on carriage 14, and more particularly the lower member 20, and this being an advantage for maintaining low cost in manufacturing. Dependant upon the type and sophistication of the sensors utilized in the present controller, and the electronics and/or software and electronics of the host graphics image generation device which the present invention is intended to interface, and at least in part control, there may be little more than flexible electrical conductors connected to on/off switches mounted on the lower member 20, with the flexible conductors leaving the lower member to exit housing 10 via a cord 156 connectable to the host image generation device, or leaving circuitry on lower member 20 to connect to an emitter of electromagnetic radiation (not shown) mounted on housing 10 for communicating the linear moment and rotational information with the host device via wireless communication such as via infra red light or radio signals. Lower member 20 may be a printed circuit board having sensors, integrated and or discrete electronic components thereon, and in FIG. 2 an application specific integrated circuit chip is illustrated at 130 which could be utilized for computations, encoding, memory, signal translations such as analog to digital conversions, data formatting for communication to the host device, serial and/or parallel communications interfacing, and the like steps or processes. The specific circuitry and electronics built onto or into the present invention will in all likelihood be different when the invention is built primarily for use with a personal desk top computer than when it is built primarily

for use with an interactive television or television based electronic game for example. Any required electrical power for electronics or sensors or output signals may be provided by batteries within housing 10, or via a connected cord or any other suitable power source. A combination of electrical power inputs may be used, and this would depend on the particular application for which the controller was designed.

As previously mentioned, housing 10 may be in numerous forms, for example, FIG. 8 is an illustration of housing 10 structured specifically for carriage 14 and trackball 12, and one which is structured to rest upon a support surface such as a table or desk when utilized, and this unit may be used to replace a typical mouse used with a computer. An optional extending portion 142 is shown indicated in dotted outline, and which is ergonomically designed as a wrist and forearm rest. The embodiment shown in FIG. 8 is also shown with two thumb select switches 144 and two finger select switches 146 which may be included to be used as function select switches as is common on a trackball, mouse or joy stick. A further example of a useful housing 10 is shown in FIG. 9 wherein a hand held housing 10 sized and shaped to be grasped in a hand of a user while the user manipulates graphic images with the controller in accordance with the present invention is shown. This "remote control" style version of the invention may be direct wired with long flexible conductors to the host graphic image generation device (computer or television for example), but is preferably a wireless remote controller which sends information to the graphics generation device via wireless electromagnetic radiation indicated at 138. The FIG. 9 remote control is battery powered with a battery in compartment 134, and may include a scan or program window shown at 132 for allowing programing of internal electronics. This version may prove to be particularly useful with interactive television and interactive three-dimensional displays such as are commonly referred to as virtual reality displays, and most likely will include additional function keys 136 for on/off, volume, channel selection, special functions and the like.

FIG. 10 shows carriage 14 and trackball 12 housed in an otherwise relatively conventional computer keyboard 140. FIG. 11 represents a desk top computer 148 as an example of a graphic image generation device, and shown on the display 150 (computer monitor) is a cube 152 displayed three dimensionally. An electromagnetic signal receiver window is shown at 154 for receiving signals such as are sent via a wireless communicating version of the present invention such as that shown in FIG. 9. Alternatively the keyboard 140 of FIG. 10 could be connected to the host image generation device via flexible conductor set 156 to allow typical keyboarding when desired, and control of graphic images with the use of the present six degree of freedom controller when desired.

Although I have very specifically described best modes and preferred structures and use of the invention, it should be understood that many changes in the specific structures and modes described and shown in my drawings may clearly be made without departing from the true scope of the invention.

What I claim as my invention is:

1. A hand manipulated multi-axis graphic image controller for outputting control information to a graphics generation device for control of graphic images, said controller comprising;

a housing,

a carriage at least in part within said housing,

means for allowing linear movement of said carriage along multiple perpendicular axes relative to said housing,

13

means for sensing linear moment of said carriage relative to said housing and creation of linear moment related information,

a trackball retained by said carriage so that linear movements of said trackball and said carriage are maintained substantially equal, said trackball being spherically rotatable independent of said carriage, said trackball at least in part exposed to allow manual manipulation thereof,

means for sensing rotation of said trackball relative to said carriage and for creation of rotational related information indicative of direction and amount of rotation of said trackball,

means for outputting said linear moment related information and said rotational related information to a graphics generation device.

2. A hand manipulated multi-axis graphic image controller according to claim 1 wherein said housing is a housing structured to rest upon a support surface when utilized during hand manipulation of the controller.

3. A hand manipulated multi-axis graphic image controller according to claim 1 wherein said housing is a computer keyboard housing.

4. A hand manipulated multi-axis graphic image controller according to claim 1 wherein said housing is a hand held housing sized and shaped to be grasped and held in a hand of a user while the user manipulates graphic images with the controller.

5. A hand manipulated multi-axis graphic image controller according to claim 4 wherein said outputting of the information to the graphics generation device is via wireless electromagnetic radiation.

6. A hand manipulated multi-axis graphic image controller according to claim 1 wherein said carriage includes plate structure within said housing; the plate structure supporting a collet about said trackball.

7. A hand manipulated multi-axis graphic image controller according to claim 6 wherein said collet is in-part exposed beyond said housing with the exposed portion of said collet providing surface against which manual force can be applied to move said carriage and thus said trackball linearly relative to said housing along the multiple perpendicular axes.

8. A hand manipulated multi-axis graphic image controller according to claim 1 wherein said means for allowing linear movement of said carriage includes resiliently compressible spring material upon which said carriage is supported.

9. A hand manipulated graphic image controller having six degrees of freedom, wherein information describing spherical rotation of a trackball of the controller about three mutually perpendicular axes of yaw, pitch and roll, and information describing linear moment of said trackball along said axes is output to a graphics generation device from said controller for control of graphic images, said controller comprising;

a housing,

a carriage at least in part within said housing and movably supported by support means within said housing for allowing linear movement of said carriage relative to said housing along any of said three mutually perpendicular axes of yaw, pitch and roll,

said trackball retained by said carriage so that linear movements of said trackball and said carriage are maintained substantially equal; said trackball being spherically rotatable about the three axes independent

14

of said carriage, said trackball at least in part exposed to allow manual manipulation thereof,

means for sensing rotation of said trackball relative to said carriage and for creation of rotational related information indicative of direction and amount of rotation of said trackball,

means for sensing linear moment of said carriage and thus said trackball relative to said housing and creating linear moment related information,

means for outputting said linear moment related information and said rotational related information to a graphics generation device.

10. A hand manipulated graphic image controller having six degrees of freedom according to claim 9 wherein said housing is structured to rest upon a support surface when utilized during hand manipulation of the controller.

11. A hand manipulated graphic image controller having six degrees of freedom according to claim 9 wherein said housing is a computer keyboard housing.

12. A hand manipulated graphic image controller having six degrees of freedom according to claim 9 wherein said housing is a hand held housing sized and shaped to be grasped in a hand of a user while the user manipulates graphic images with the controller.

13. A hand manipulated graphic image controller having six degrees of freedom according to claim 12 wherein the outputting of the information to a graphics generation device is via wireless electromagnetic radiation.

14. A hand manipulated graphic image controller having six degrees of freedom according to claim 9 wherein said support means within said housing for allowing linear movement of said carriage along any of said three mutually perpendicular axes of yaw, pitch and roll, includes resiliently compressible spring material upon which said carriage is supported with said spring material in at least a partially extended state for allowing downward travel of said carriage followed by said spring material raising said carriage upward.

15. A hand manipulated multi-axis graphic image controller for outputting control information to a graphics generation device for control of graphic images, said controller comprising;

a housing,

a carriage at least in part within said housing and movably supported by support means within said housing for allowing linear movement of said carriage relative to said housing along multiple perpendicular axes,

means for sensing linear moment of said carriage relative to said housing and creation of linear moment related information,

a collet supported as part of said carriage so that linear movements of said collet and said carriage are maintained substantially equal, said collet being rotatable relative to said carriage about one of the multiple perpendicular axes,

means for sensing rotation of said collet relative to said carriage and for creation of rotational related information indicative of direction of rotation of said collet,

a trackball retained by said carriage and said collet so that linear movements of said trackball and said carriage and said collet are maintained substantially equal, said trackball being spherically rotatable independent of said carriage and said collet, said trackball at least in part exposed to allow manual manipulation thereof,

means for sensing rotation of said trackball relative to said carriage and said collet and for creation of rotational

15

related information indicative of direction and amount of rotation of said trackball,

means for outputting said linear moment related information and said rotational related information to a graphics generation device.

16. A method of manipulating graphic images of a graphics generation device utilizing a hand manipulated multi-axes graphic image controller, wherein information describing spherical rotation of a trackball of the controller about multiple perpendicular axes, and information describing linear moment of said trackball and a trackball retaining carriage along said multiple perpendicular axes is output to the graphics generation device from said controller for control of graphic images, said controller being of a type comprising a housing with the carriage at least in part within said housing and movably supported by support means within said housing for allowing linear movement of said carriage along said multiple perpendicular axes; sensor means for sensing linear moment of said carriage relative to said housing and creating linear moment related information; said trackball retained by said carriage so that linear movements along said multiple perpendicular axes of said trackball and said carriage are maintained substantially equal; said trackball being spherically rotatable about the axes independent of said carriage, said trackball at least in part exposed to allow manual manipulation thereof; means for sensing rotation of said trackball relative to said carriage and for creation of rotational related information indicative of direction and amount of rotation of said trackball; means for outputting said linear moment related information and

16

said rotational related information to a graphics generation device;

said method comprising the steps of:

- (a) manually rotating said trackball for rotationally manipulating the graphic images; and,
- (b) manually applying linear force to said carriage for moving said carriage along said multiple perpendicular axes independent of said housing for linearly manipulating the graphic images.

17. A method of manipulating graphic images of a graphics generation device utilizing a hand manipulated graphic image controller having at least five degrees of freedom, wherein information describing linear moment of a trackball of the controller along three mutually perpendicular axes, and information describing spherical rotation of said trackball about at least two axes of said three mutually perpendicular axes is output to a graphics generation device;

said method comprising the steps of:

- (a) moving said trackball along said three mutually perpendicular axes for linearly manipulating at least one of said graphic images; and,
- (b) rotating said trackball for rotationally manipulating at least one of said graphic images.

18. A method of manipulating graphic images according to claim 17 further including the step of

- (c) rotating a collet about one of the axes for rotationally manipulating at least one of said graphic images.

* * * * *

EXHIBIT B



US006222525B1

(12) **United States Patent**
Armstrong

(10) **Patent No.:** **US 6,222,525 B1**
(45) **Date of Patent:** **Apr. 24, 2001**

(54) **IMAGE CONTROLLERS WITH SHEET CONNECTED SENSORS**

5,889,507 * 3/1999 Engle et al. 345/161
5,898,425 * 4/1999 Sekine 345/168

(76) Inventor: **Brad A. Armstrong**, 848 Inyo St.,
Chico, CA (US) 95928

* cited by examiner

Primary Examiner—Jeffery Brier

(*) Notice: Subject to any disclaimer, the term of this patent is extended or adjusted under 35 U.S.C. 154(b) by 0 days.

(57) **ABSTRACT**

(21) Appl. No.: **08/677,378**

(22) Filed: **Jul. 5, 1996**

A sensor connecting sheet material for inclusion in appropriately structured multiple-axes controllers comprised of a single input member operable in 6 DOF relative to a reference member of the controller. The input member having return-to-center resiliency relative to the reference member on at least the three perpendicular linear axes. The input member can be of a continuously rotatable trackball-type or a limited rotation joystick-type, and the reference member can be a shaft, a base or a housing. The controllers include carriage structuring for influencing sheet connected sensors by hand-applied operation of the input member. The preferred structures provide cooperative interaction with movement or force influenced sensors in primarily a single area. Some, most, or all of the sensors are preferably supported on a generally single plane, such as on a printed flexible membrane sensor sheet or circuit board sheet. In an alternative embodiment, sensors and conductive traces are applied on a generally flat, flexible membrane sensor sheet, which is then bent into a three dimensional configuration which may in some cases reach a widely-spread 3-D constellation of 6 DOF and/or other sensor mountings. The use of sensors connected by a sheet member, whether finally applied in a flat or 3-D configuration, enables efficient circuit and sensor connection and placement during manufacture, resulting in low product costs and high reliability.

Related U.S. Application Data

(63) Continuation-in-part of application No. 08/393,459, filed on Feb. 23, 1995, now Pat. No. 5,565,891, and a continuation-in-part of application No. 07/847,619, filed on Mar. 5, 1992, now Pat. No. 5,589,828.

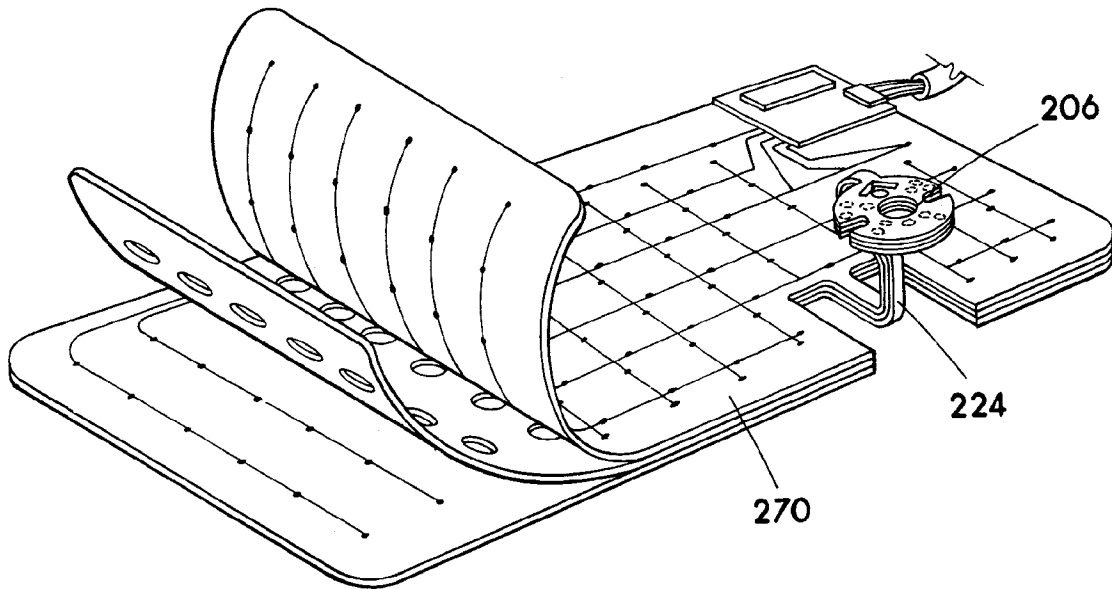
(51) **Int. Cl.**⁷ **G06F 3/033**
(52) **U.S. Cl.** **345/161; 345/168**
(58) **Field of Search** 345/156, 157,
345/161, 167, 173, 168

(56) **References Cited**

U.S. PATENT DOCUMENTS

3,806,471 4/1974 Mitchell 338/99
4,555,960 12/1985 King 74/491
4,879,556 * 11/1989 Duimel 345/161
5,231,386 * 7/1993 Brandenburg et al. 345/161
5,298,919 3/1994 Chang 345/167
5,467,108 * 11/1995 Mimplitch 345/161
5,565,891 * 10/1996 Armstrong 345/167

23 Claims, 40 Drawing Sheets



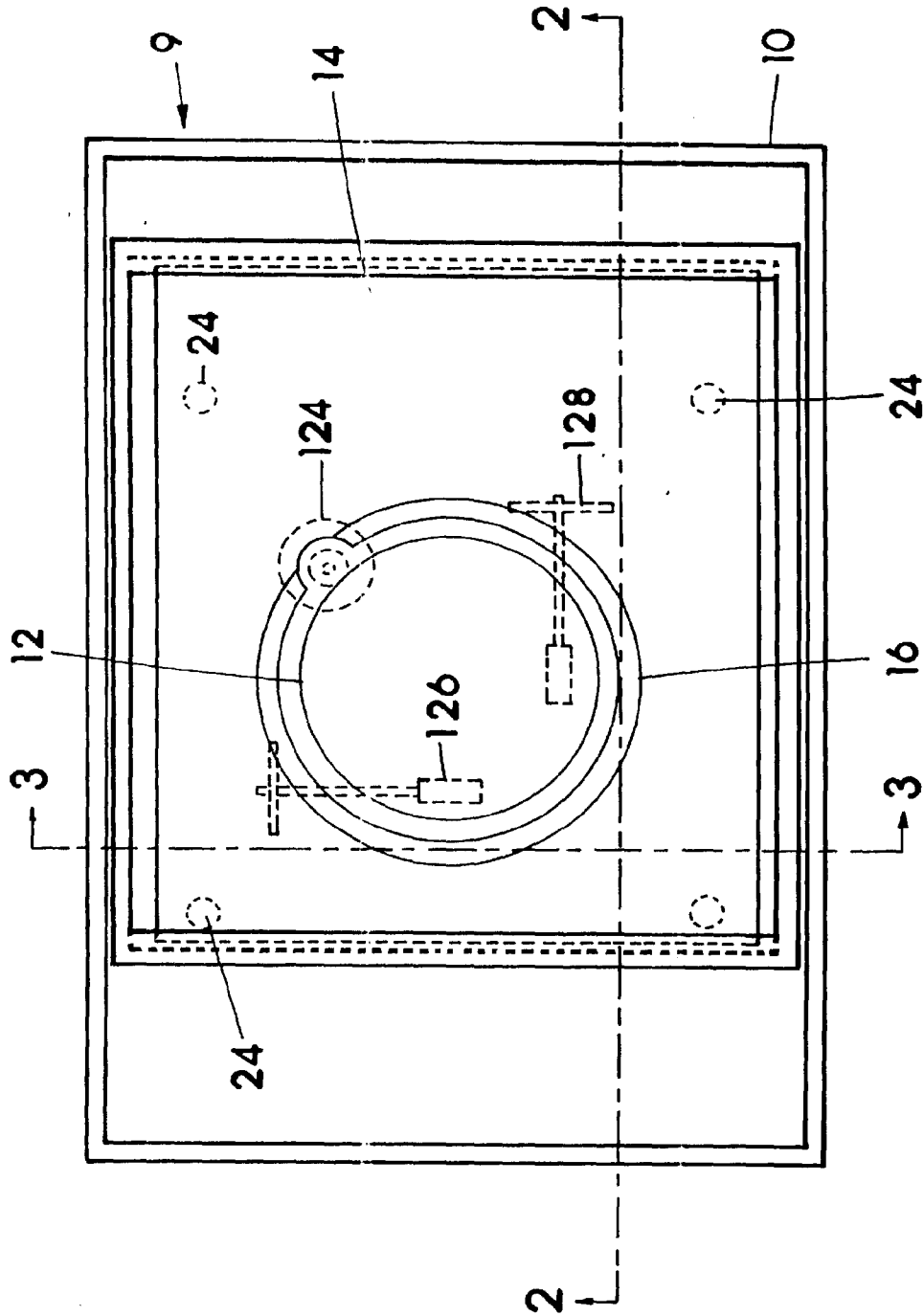
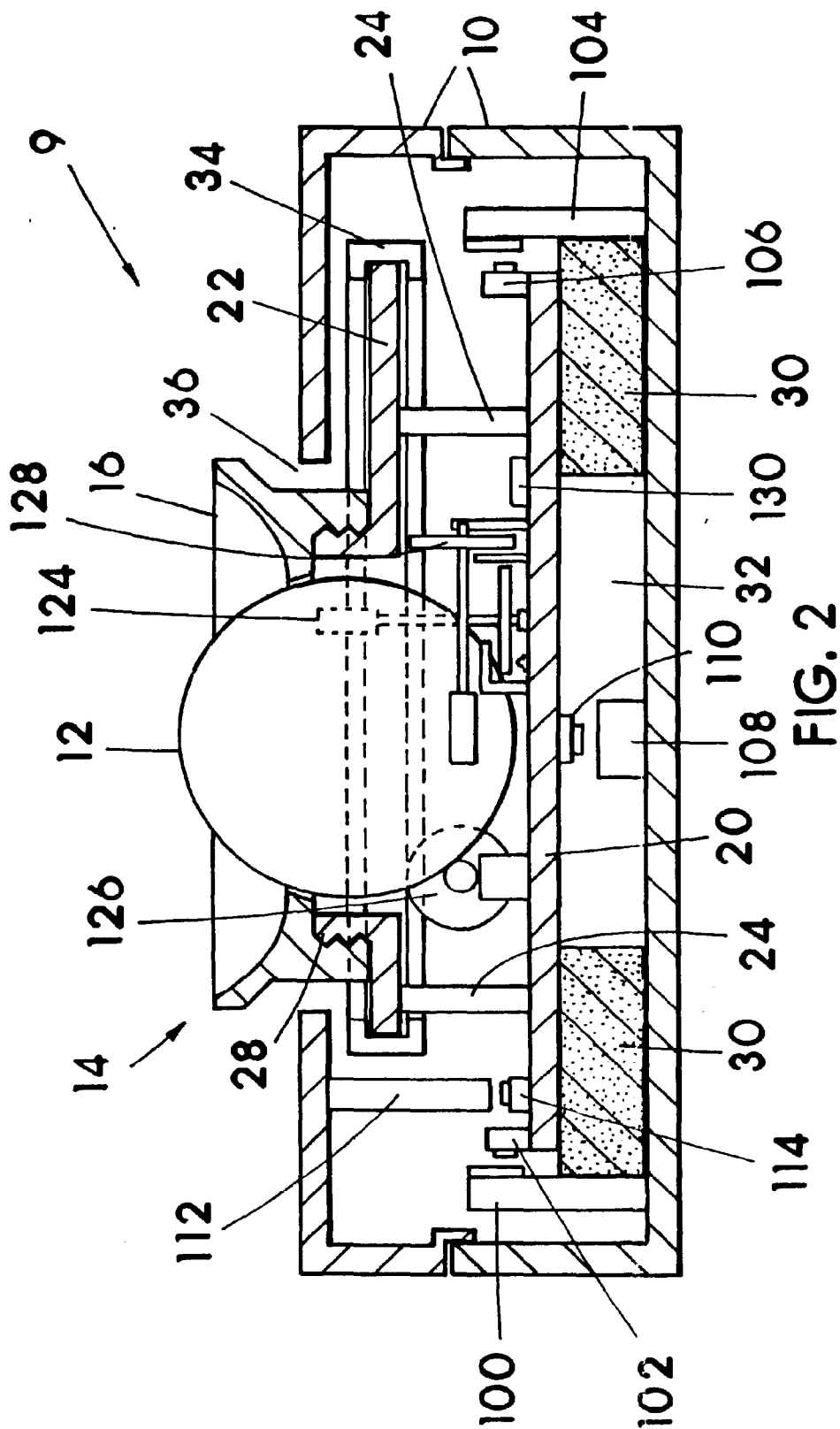


FIG. 1



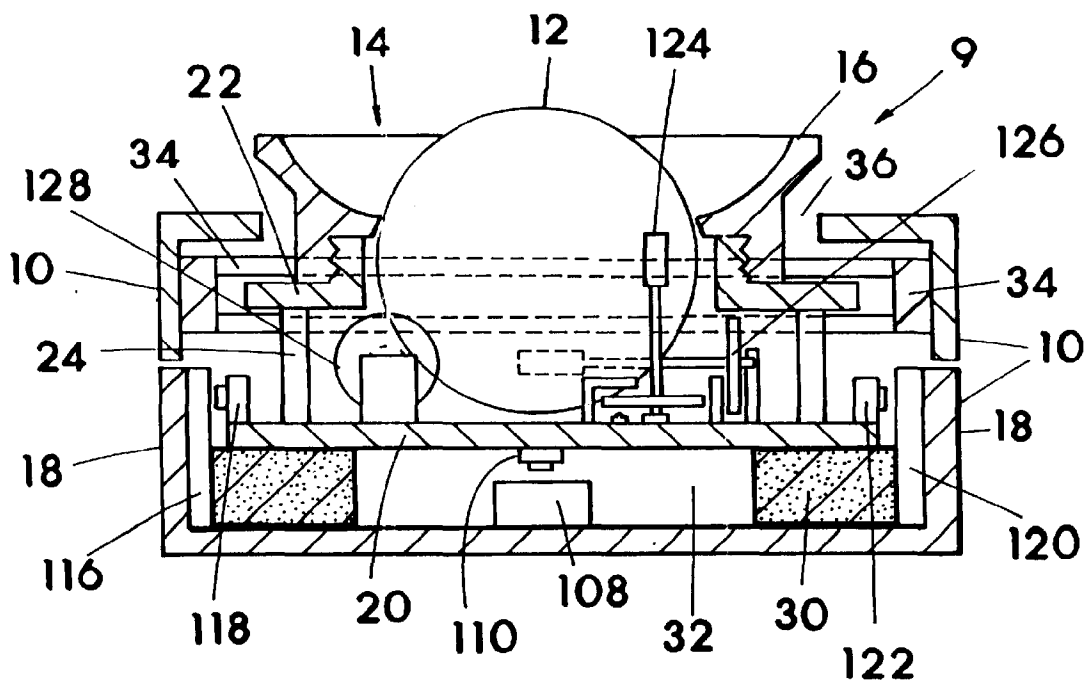


FIG. 3

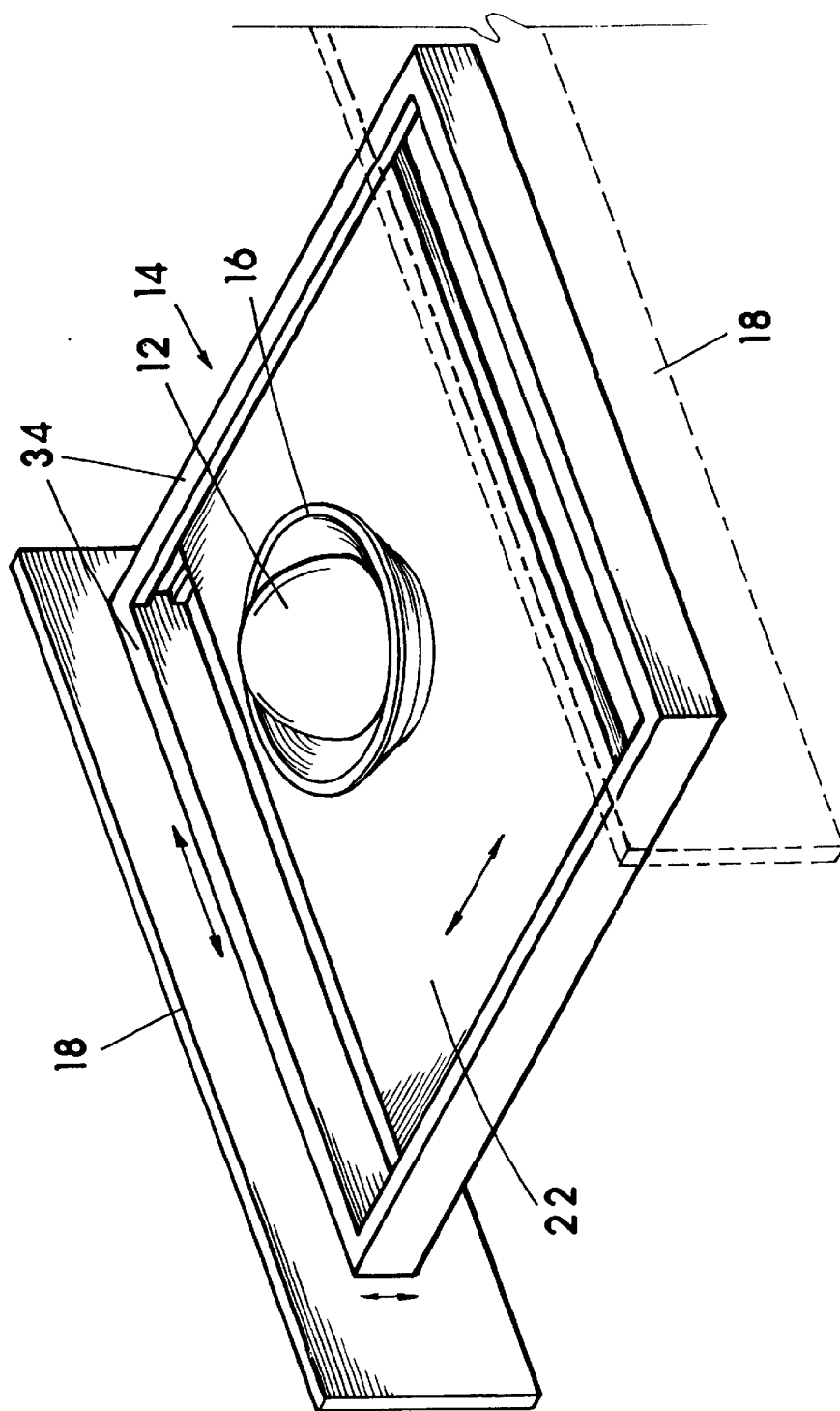


FIG. 4

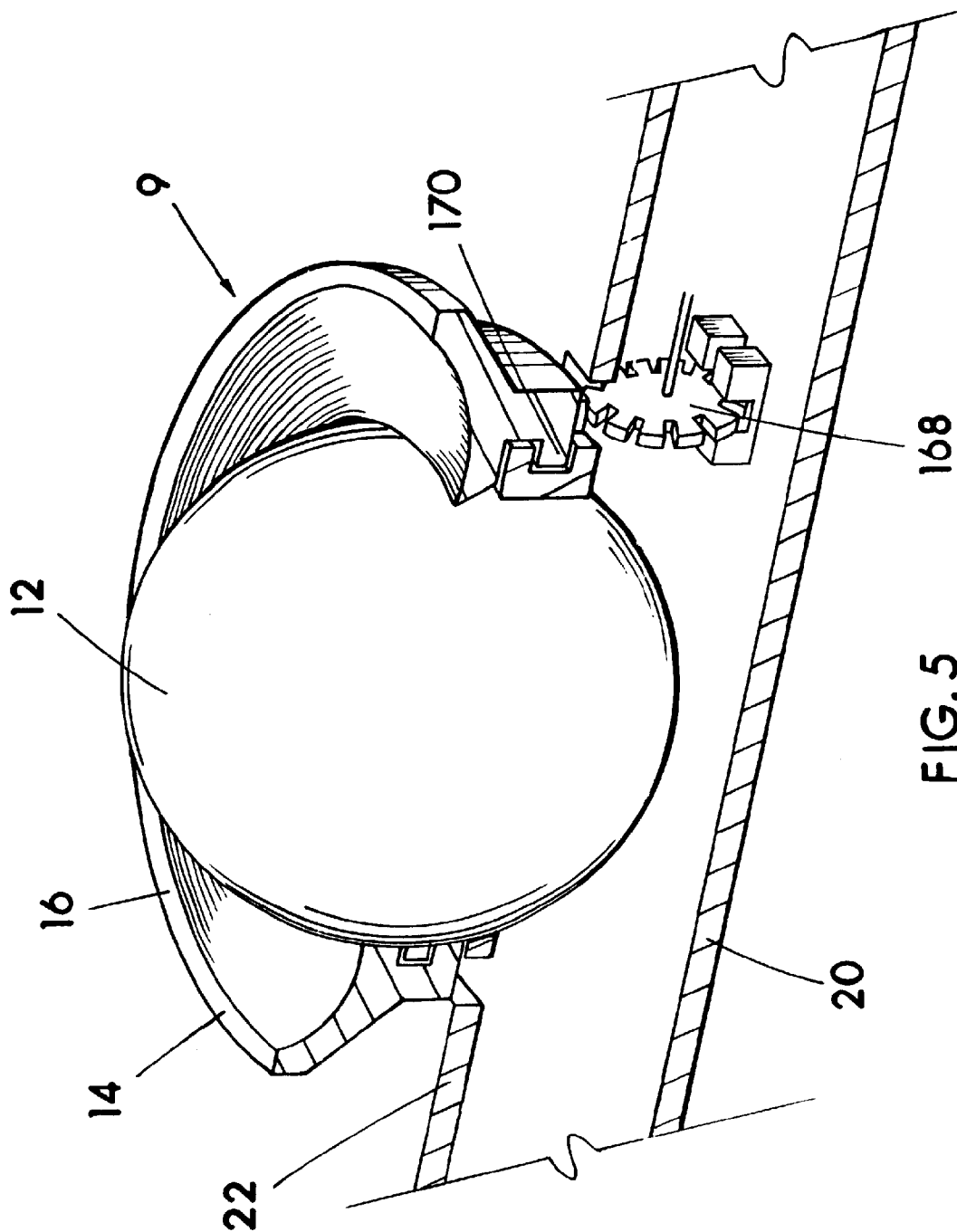
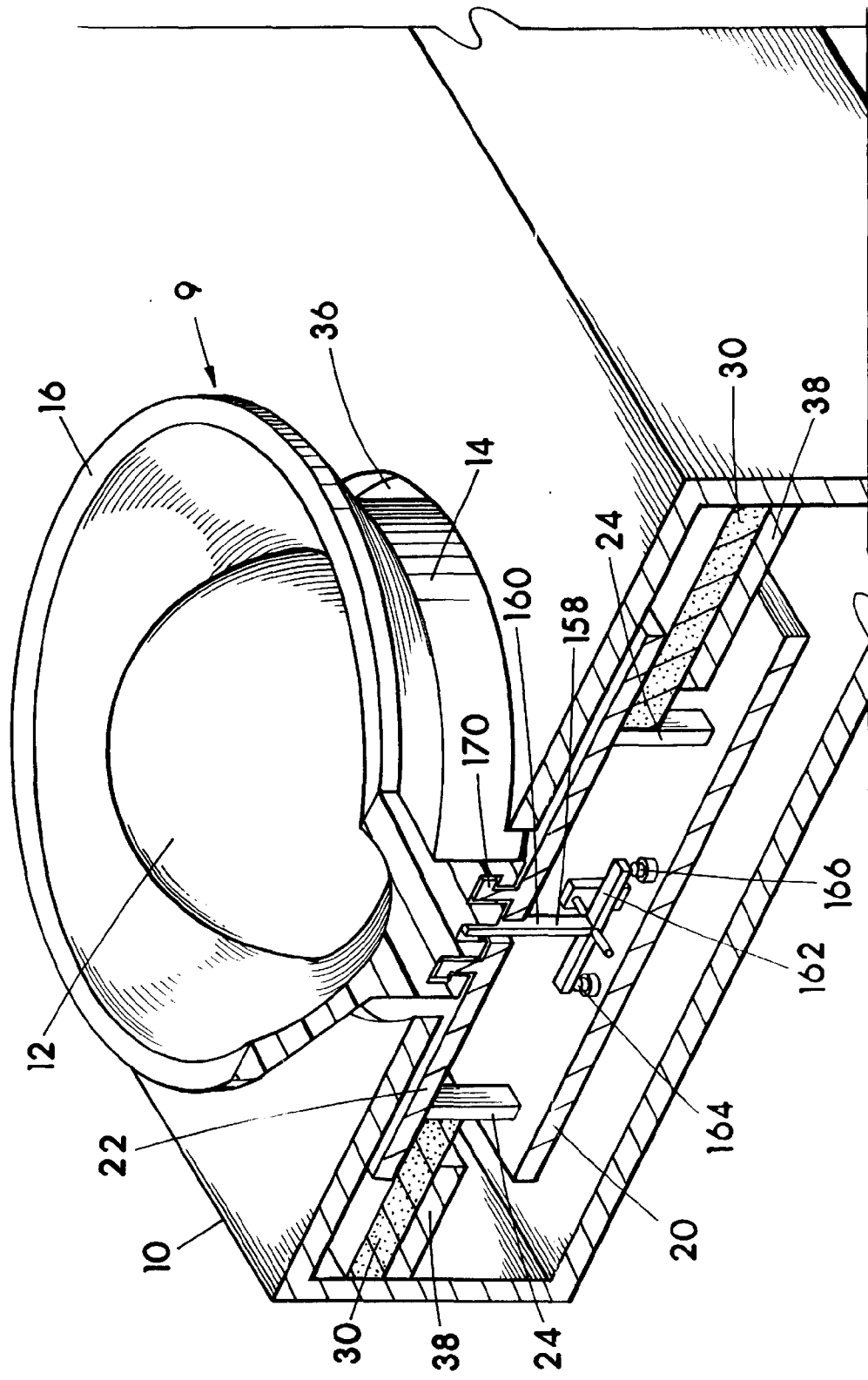


FIG. 5



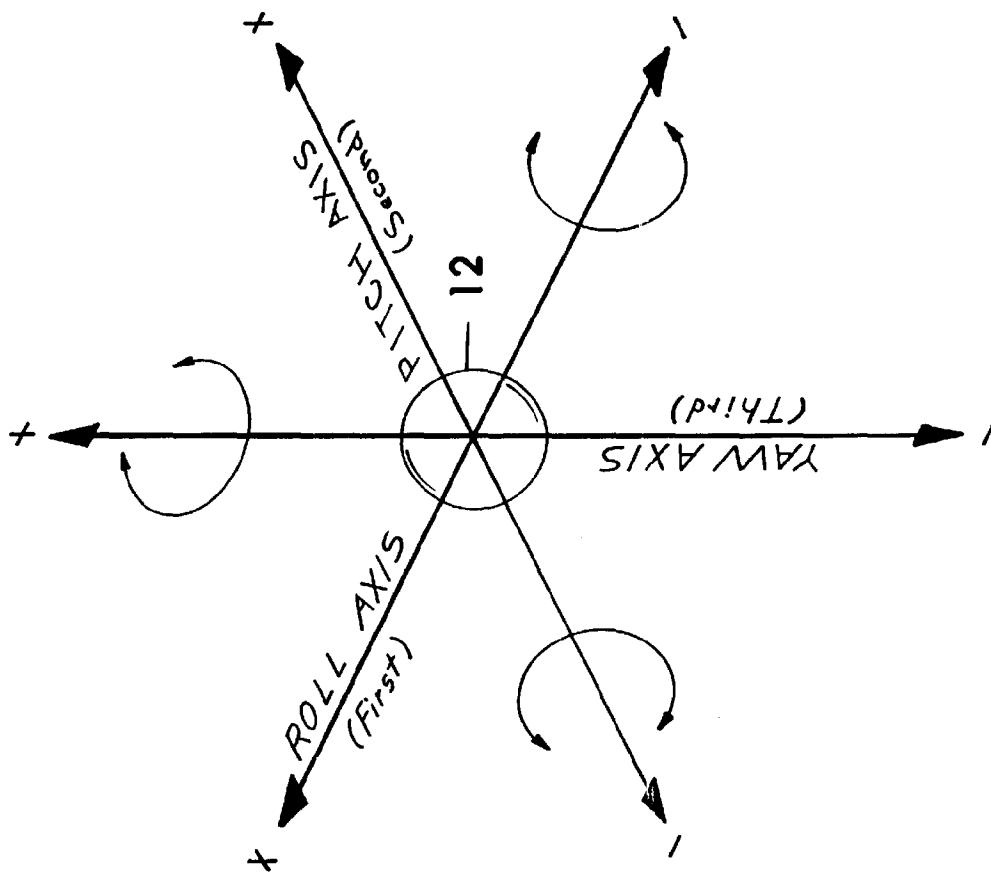


FIG. 7

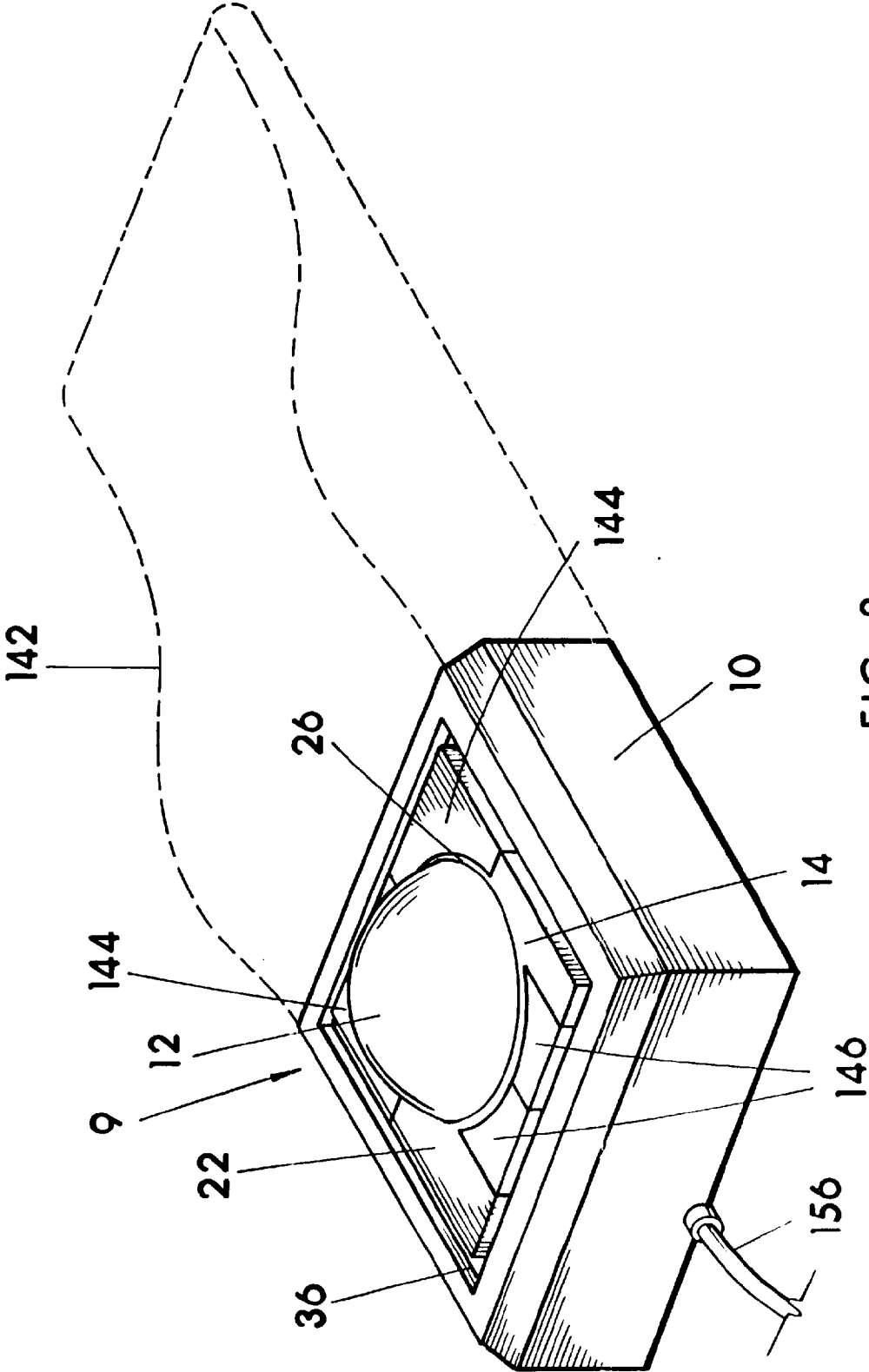


FIG. 8

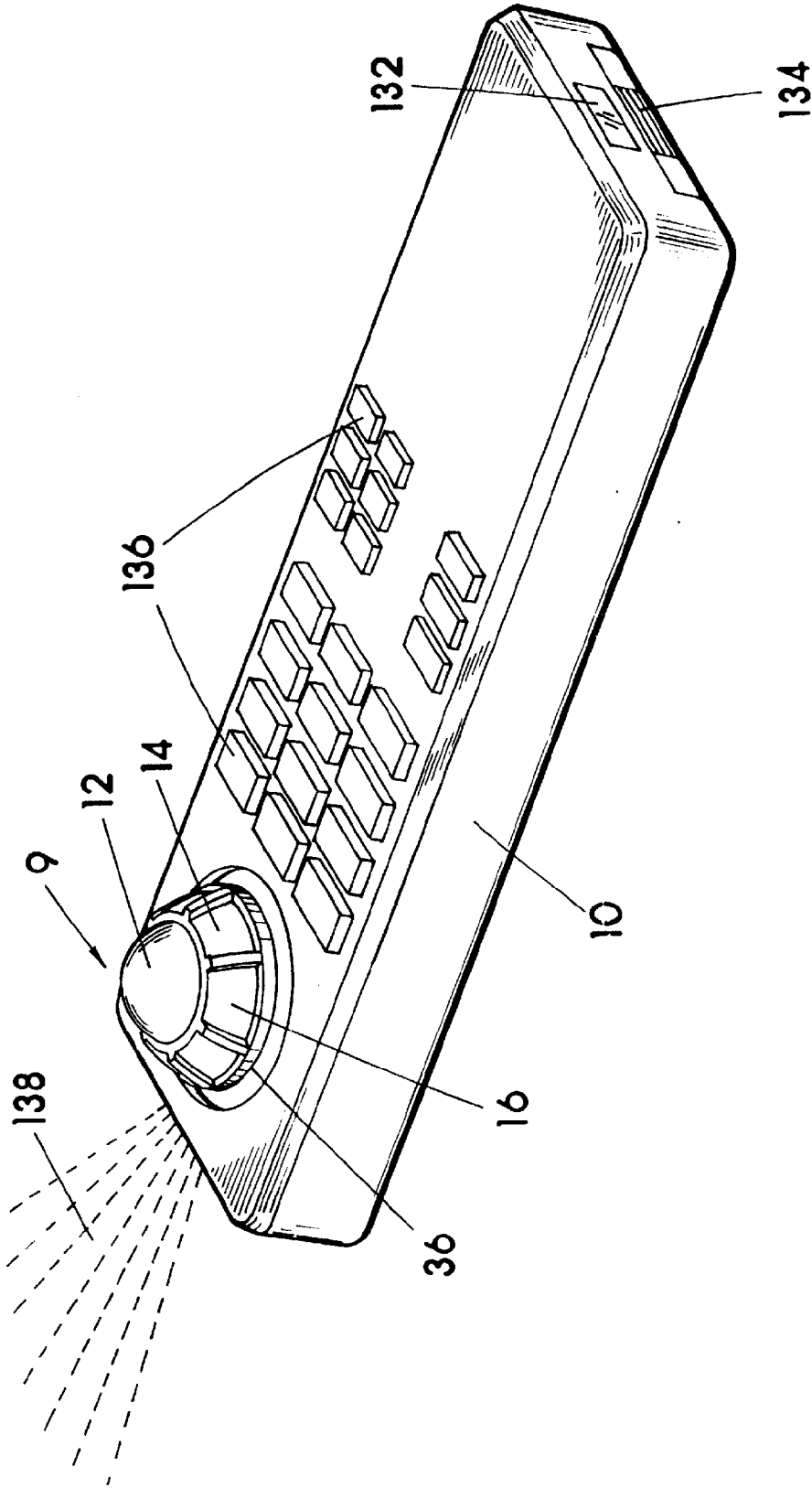


FIG. 9

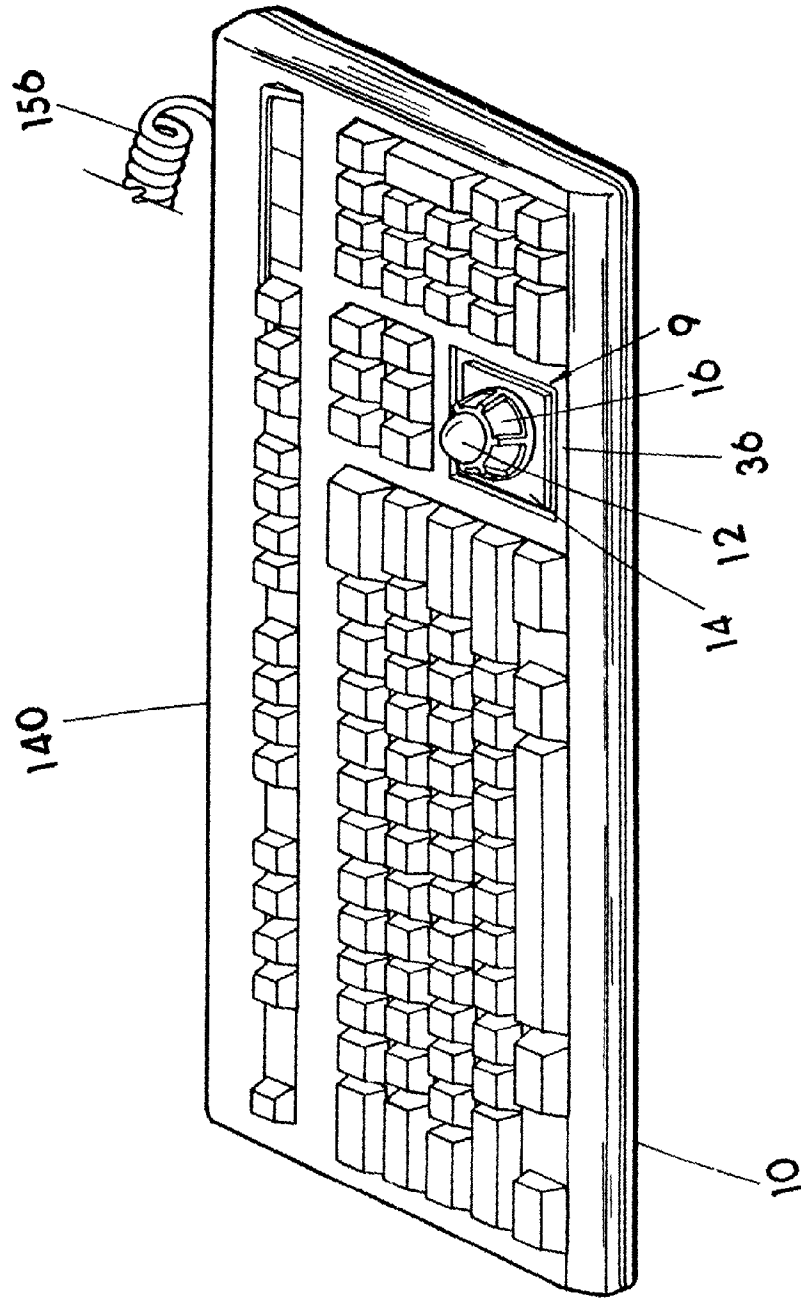


FIG. 10

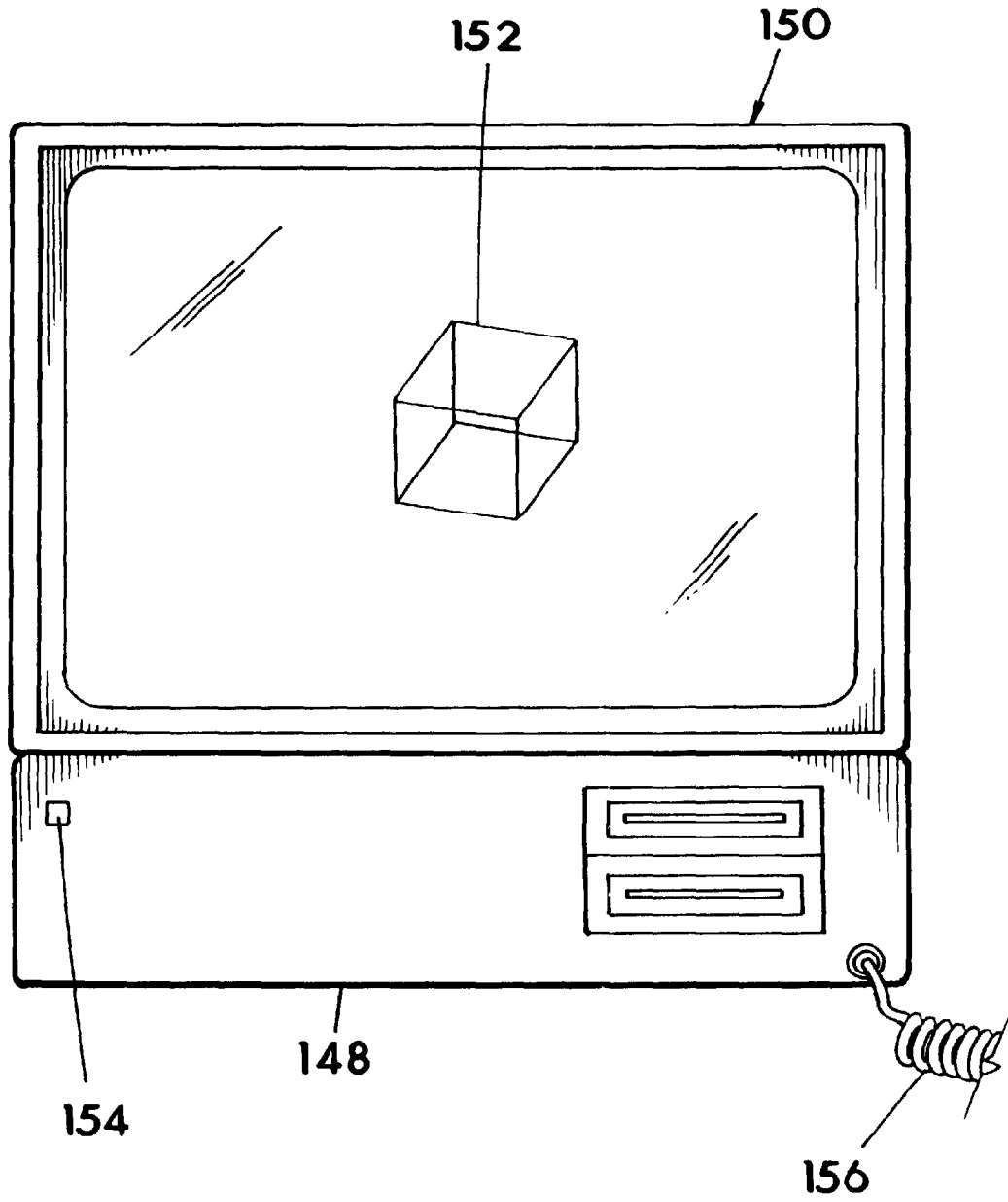


FIG. 11

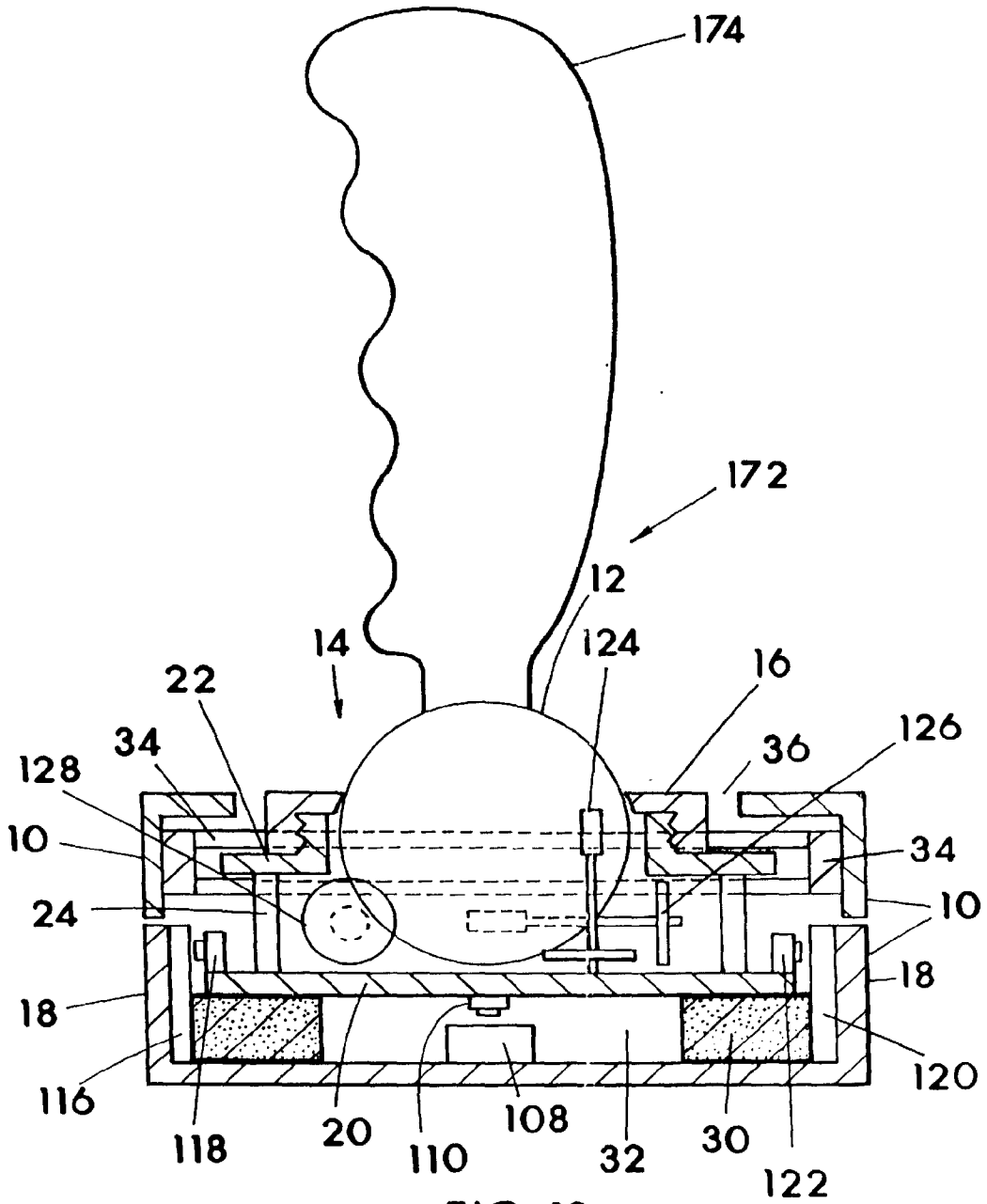


FIG. 12

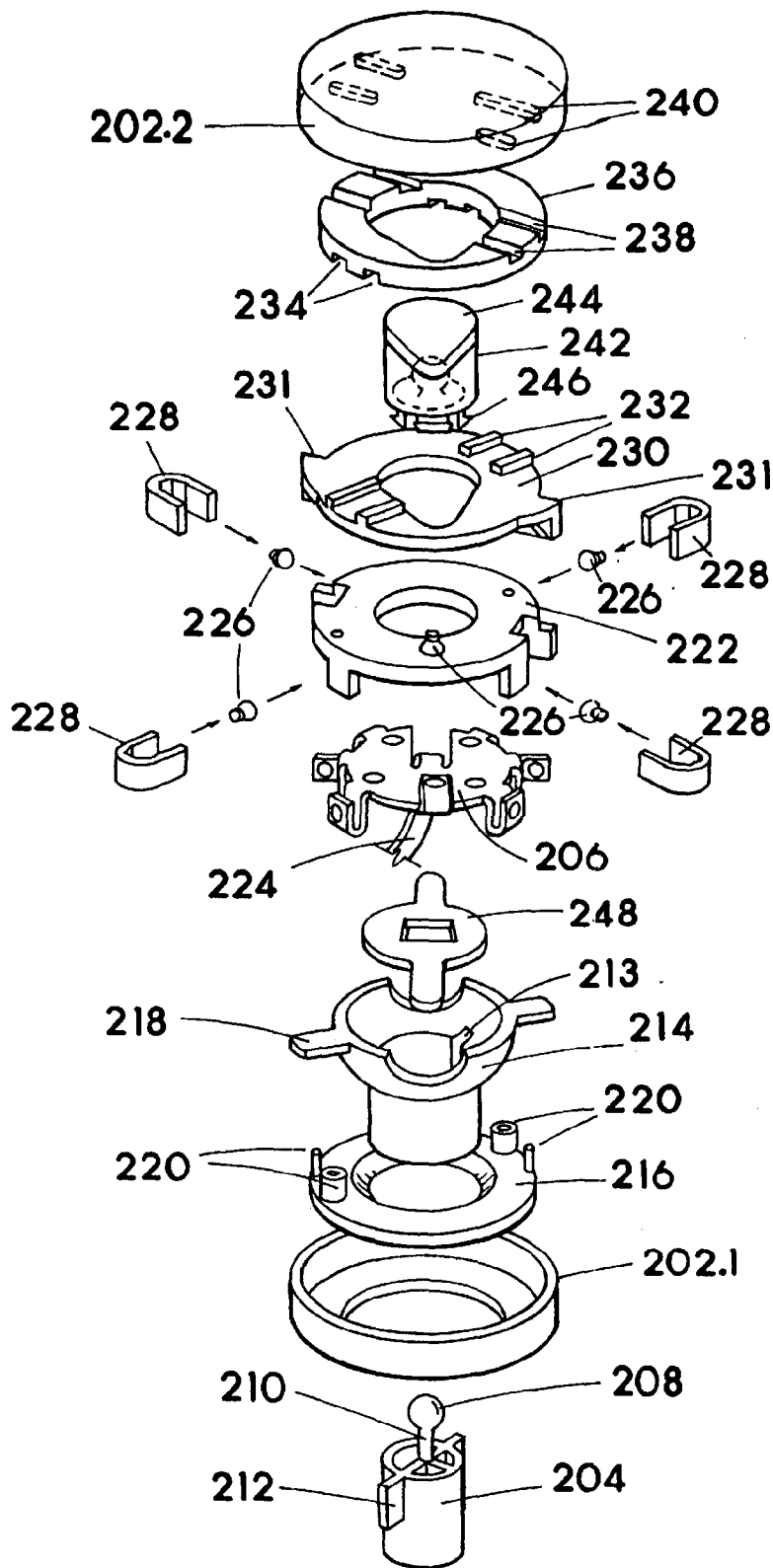


FIG. 13

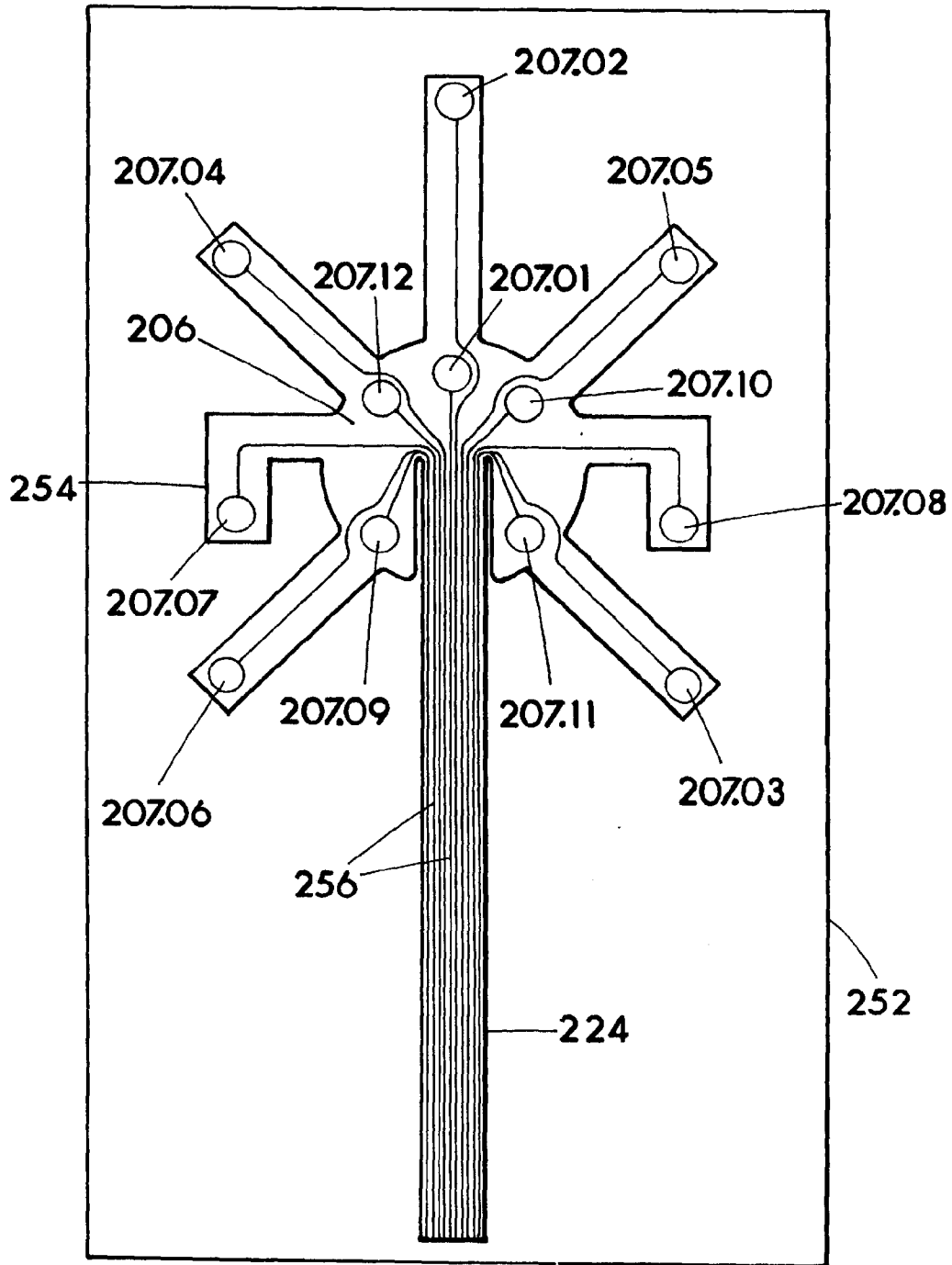


FIG. 14

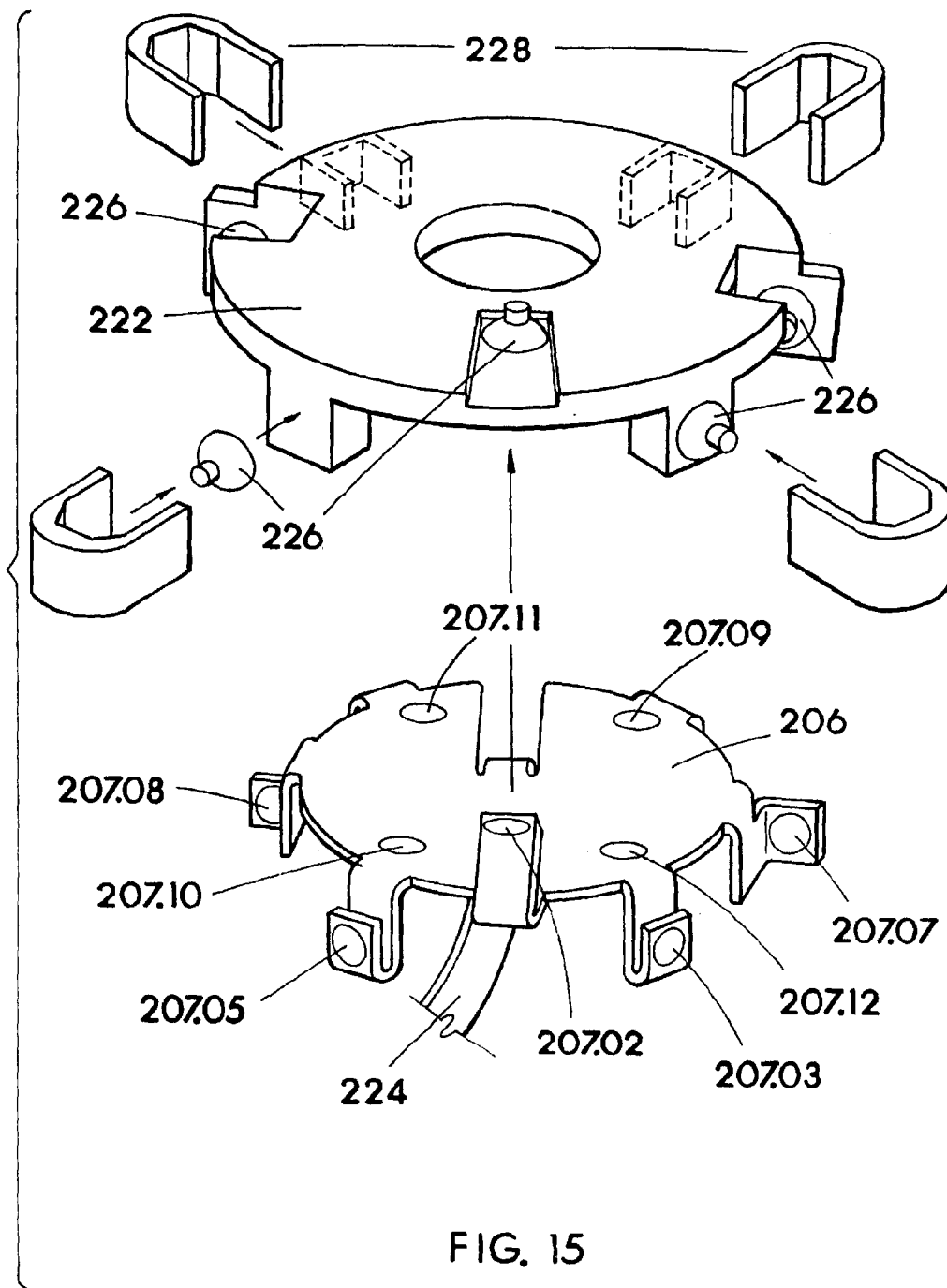


FIG. 15

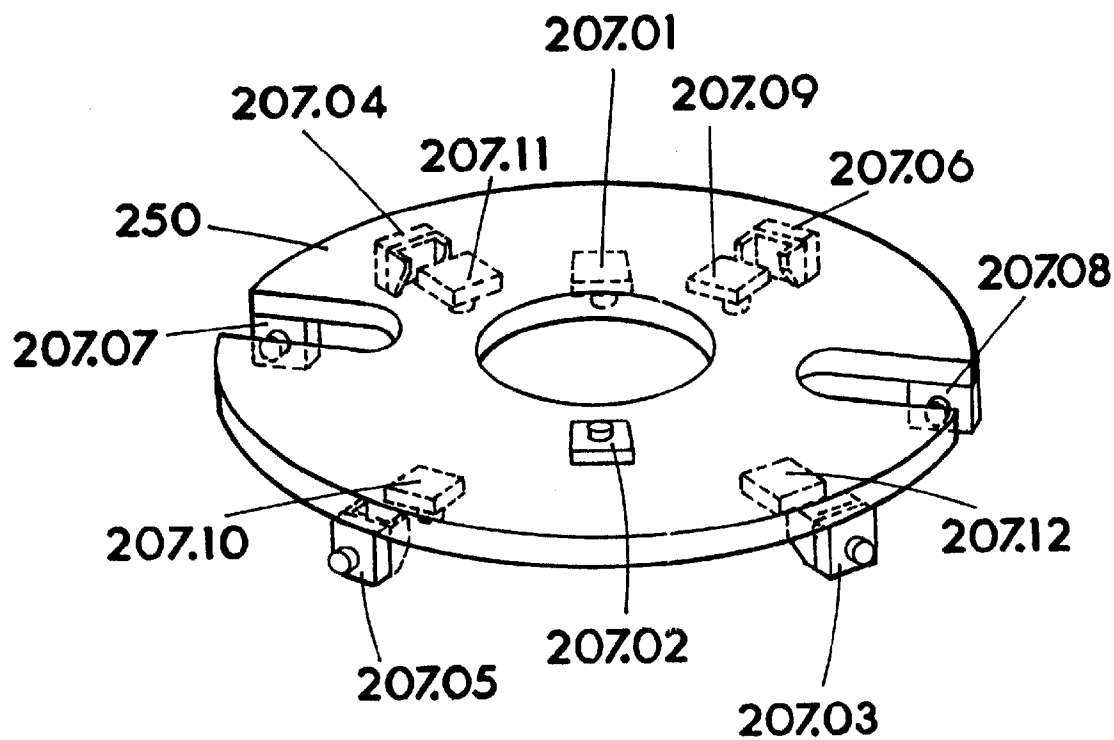


FIG. 16

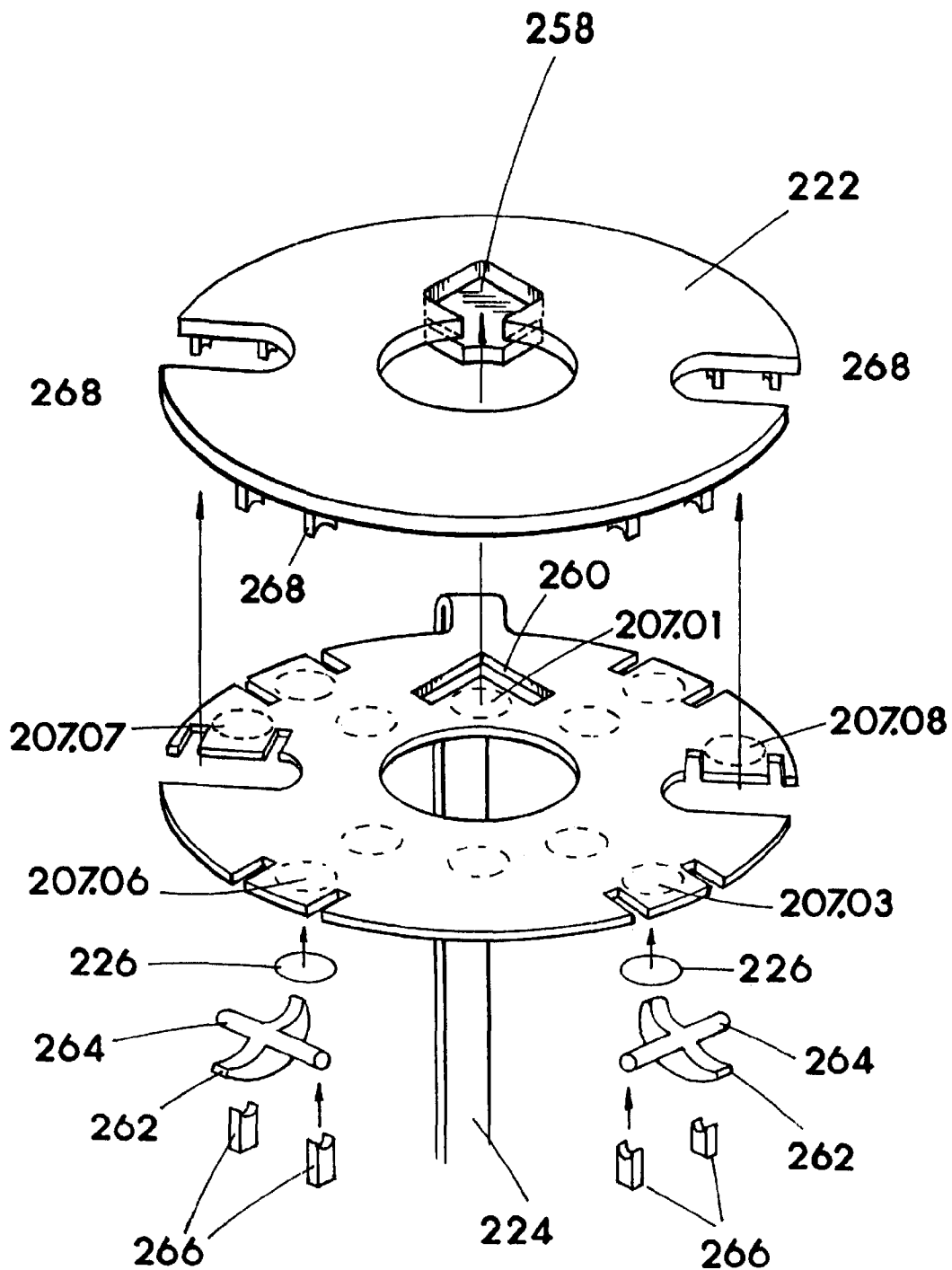


FIG. 17

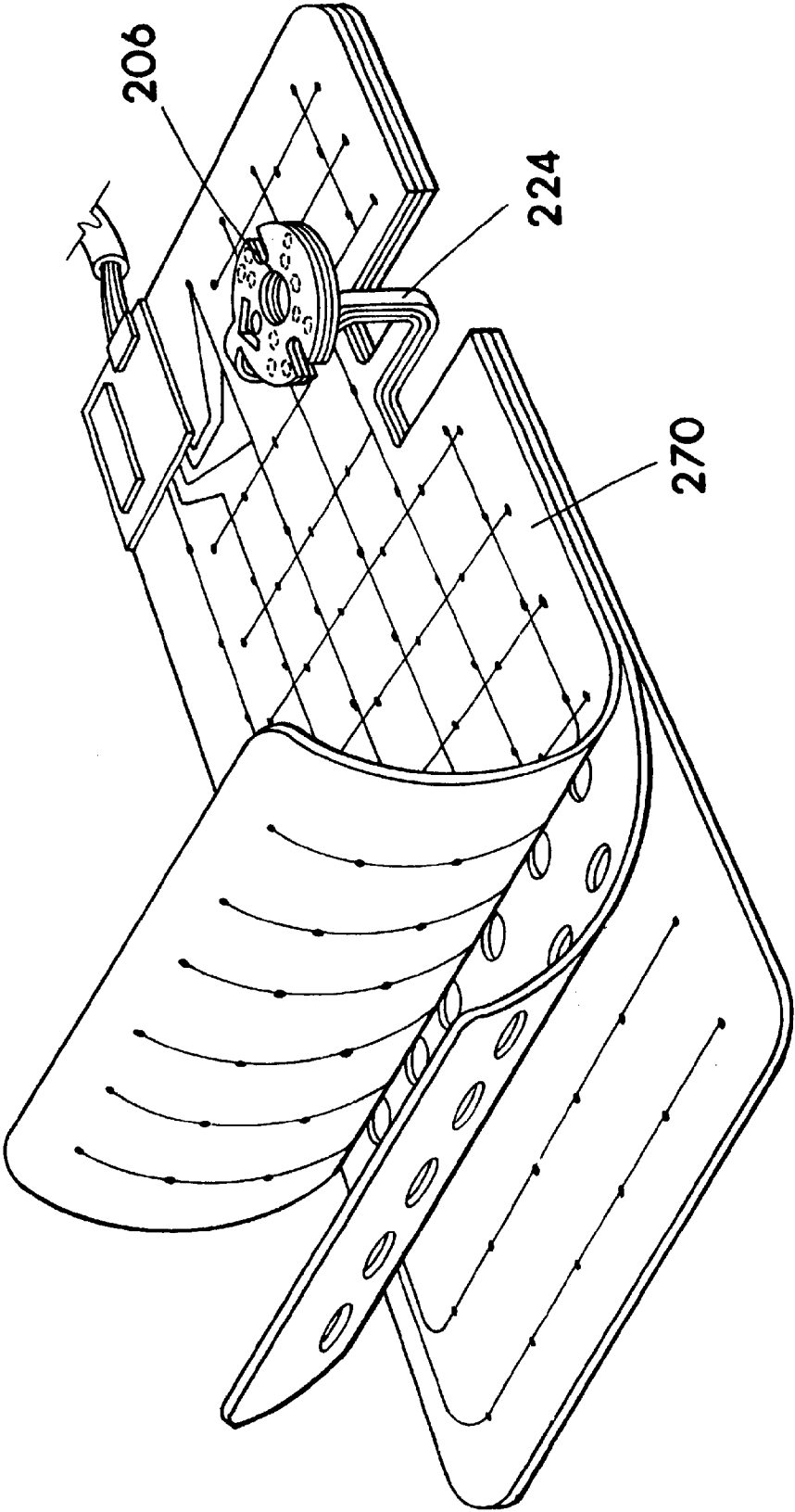


FIG. 18

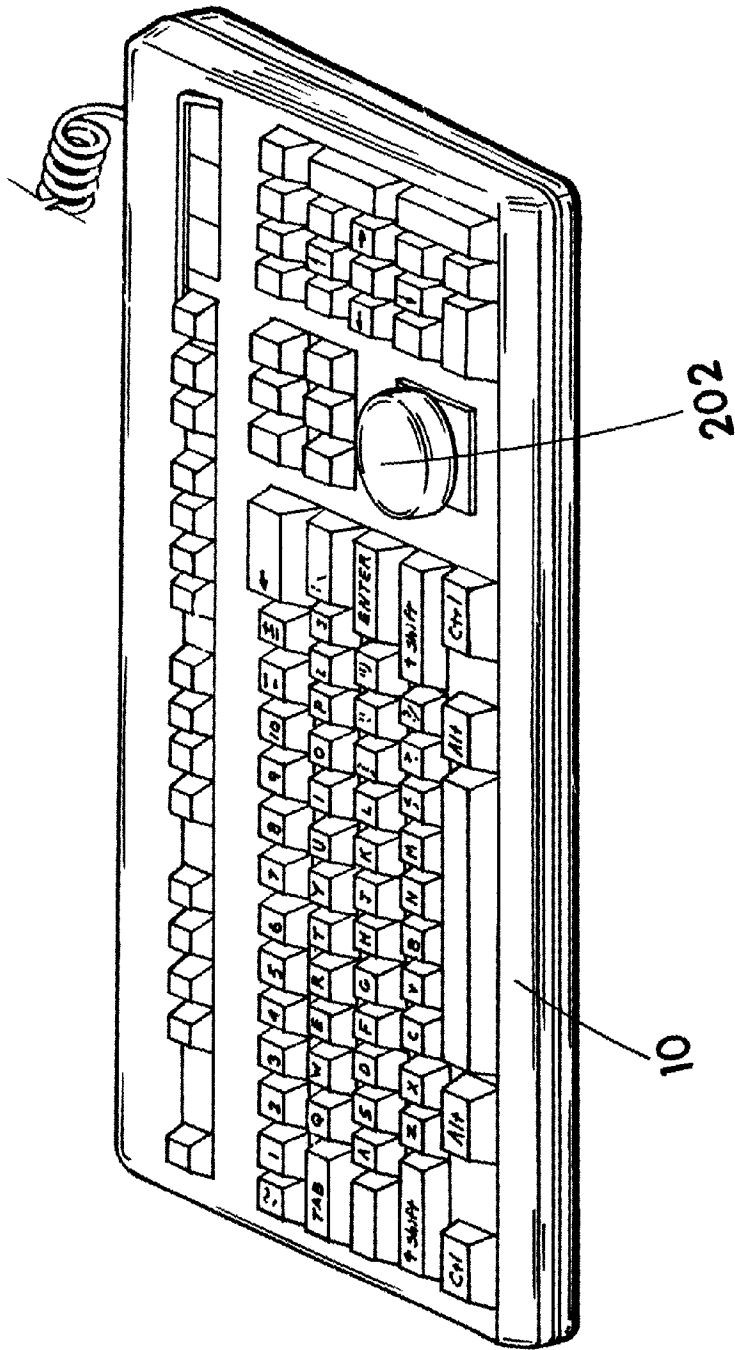


FIG. 19

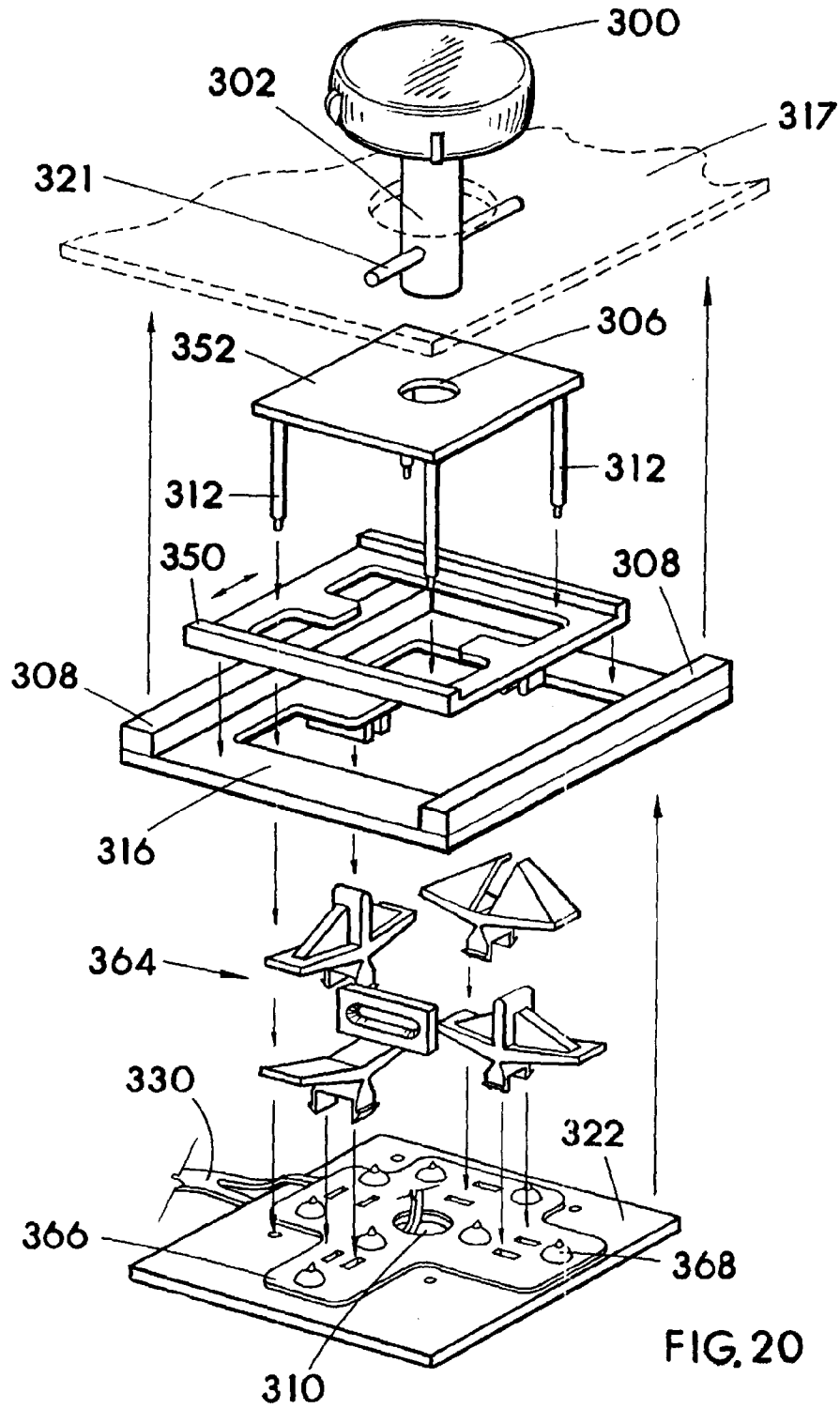


FIG. 20

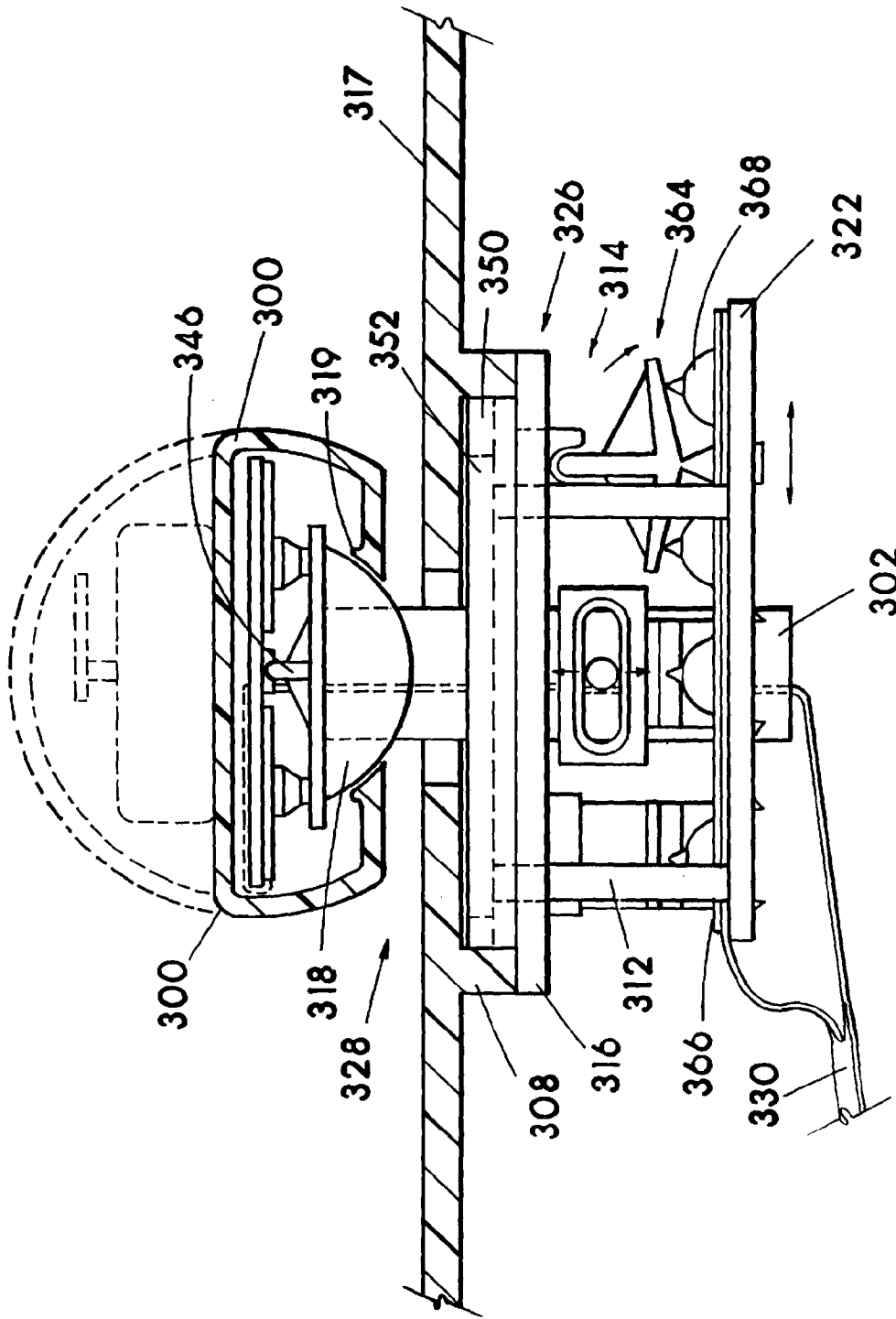


FIG. 21

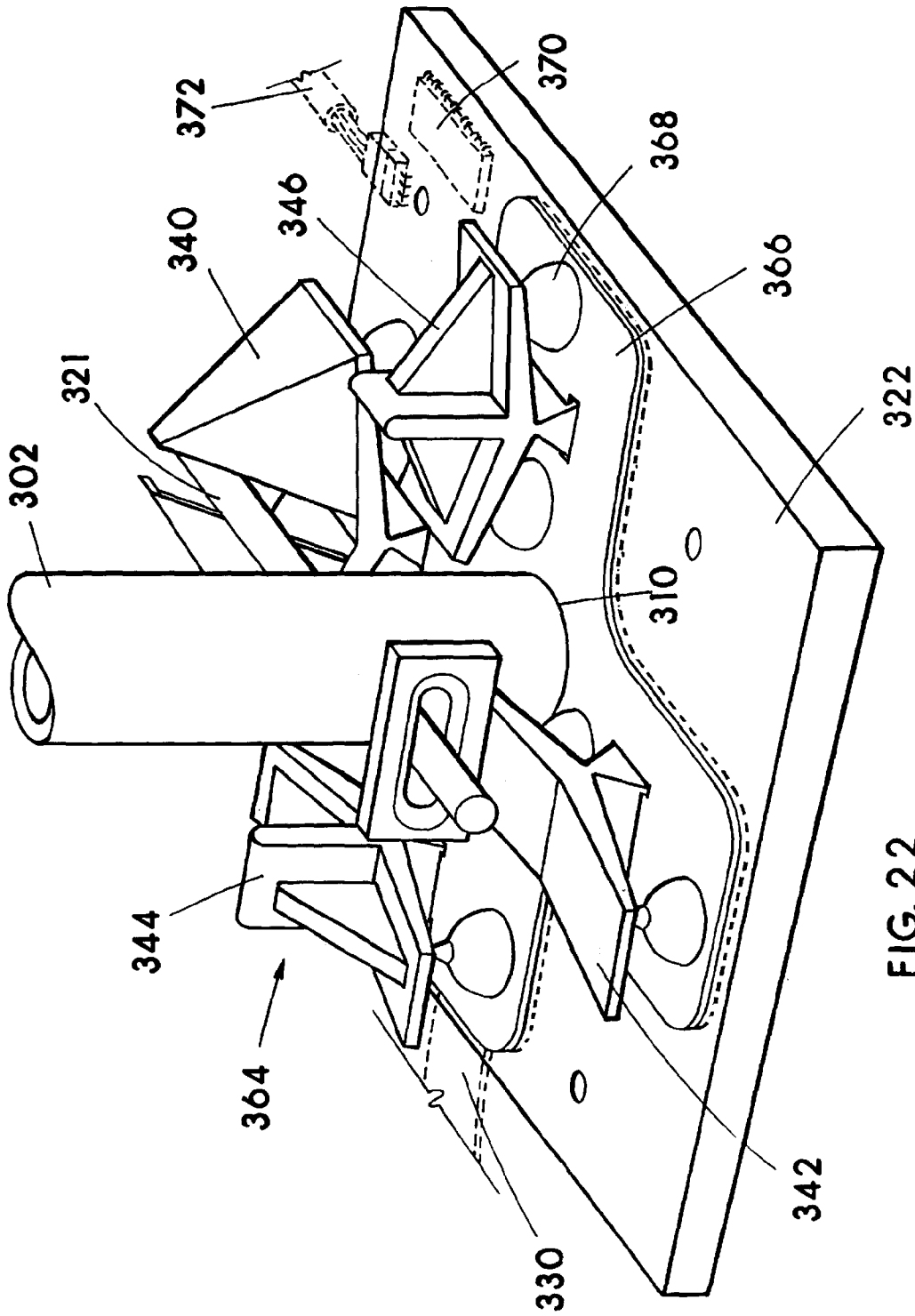
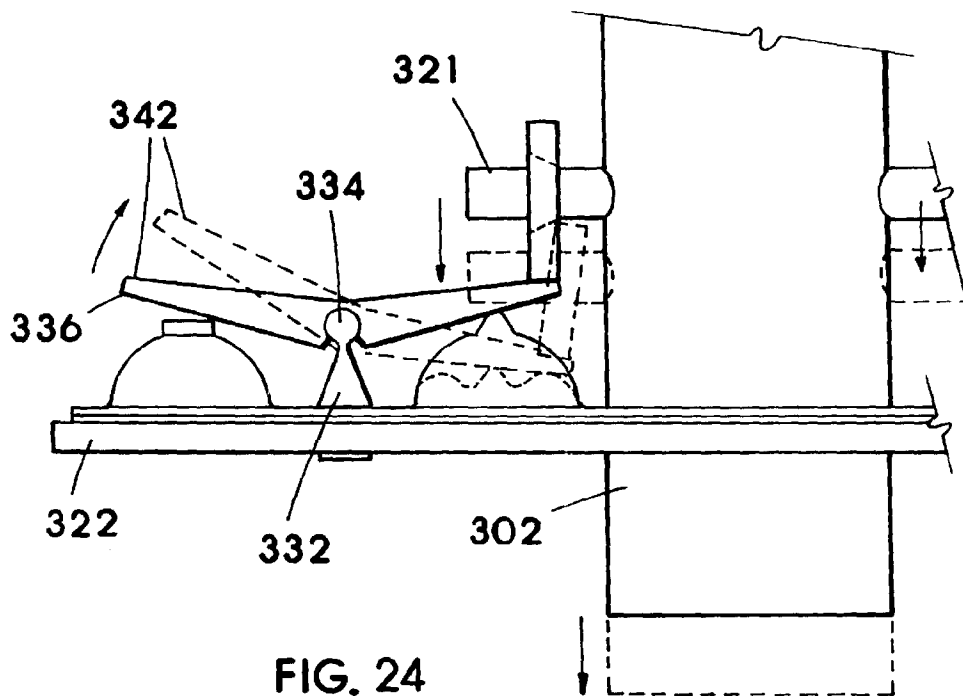
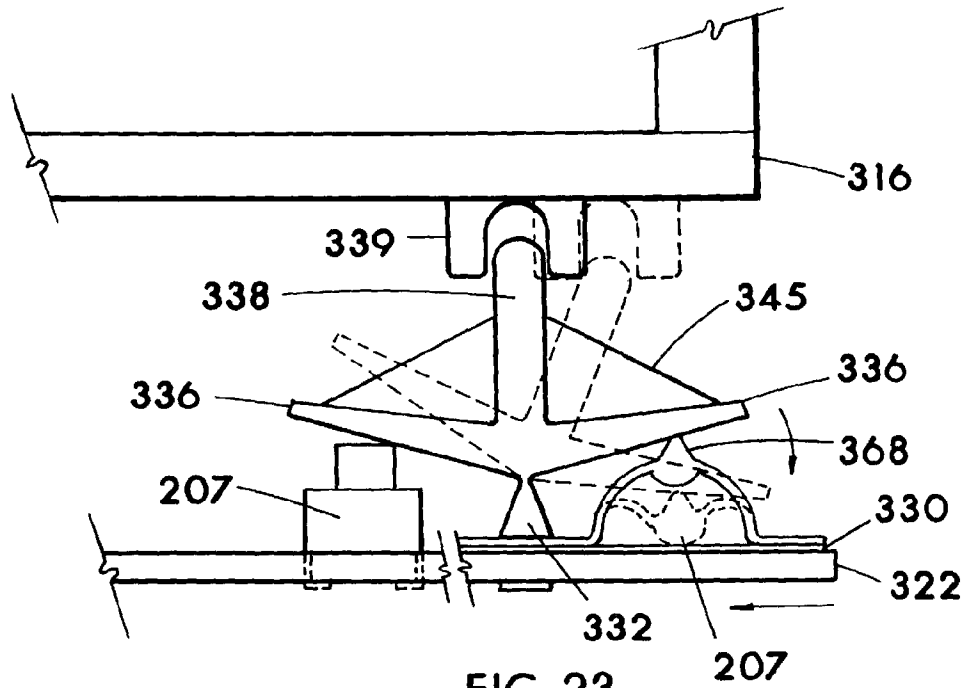


FIG. 22



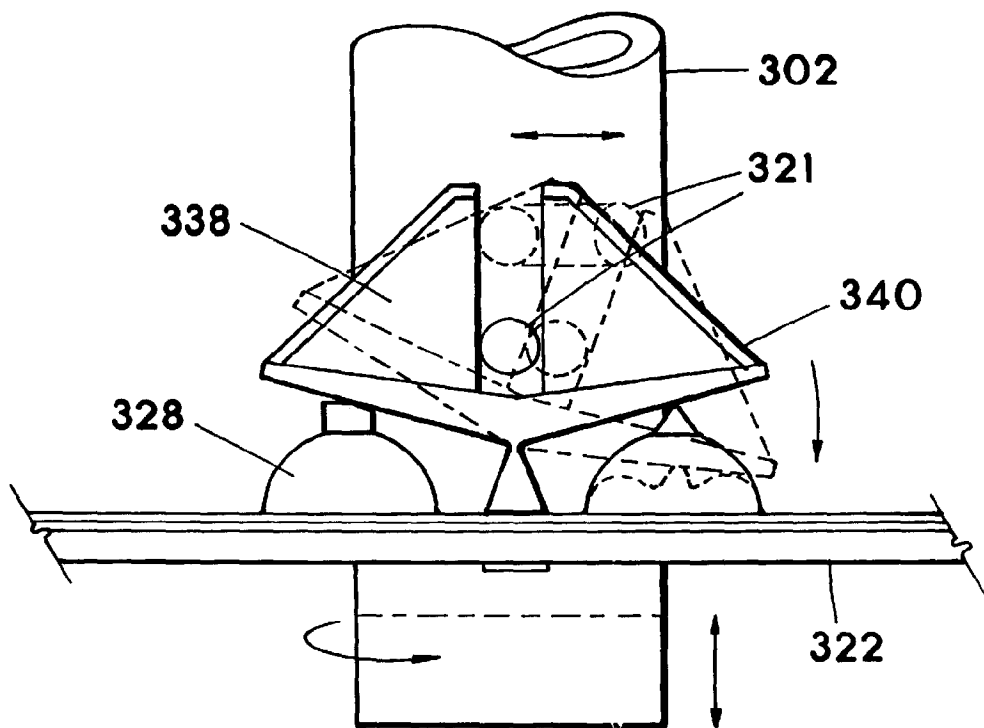


FIG. 25

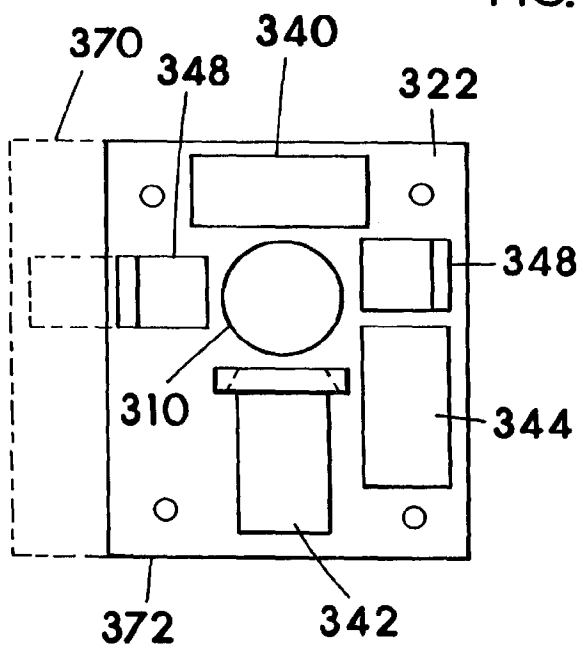


FIG. 26

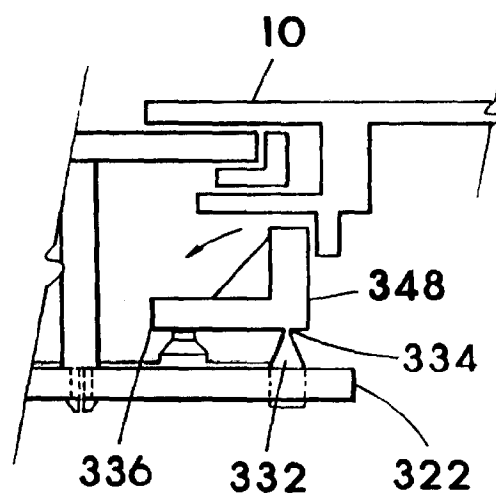


FIG. 27

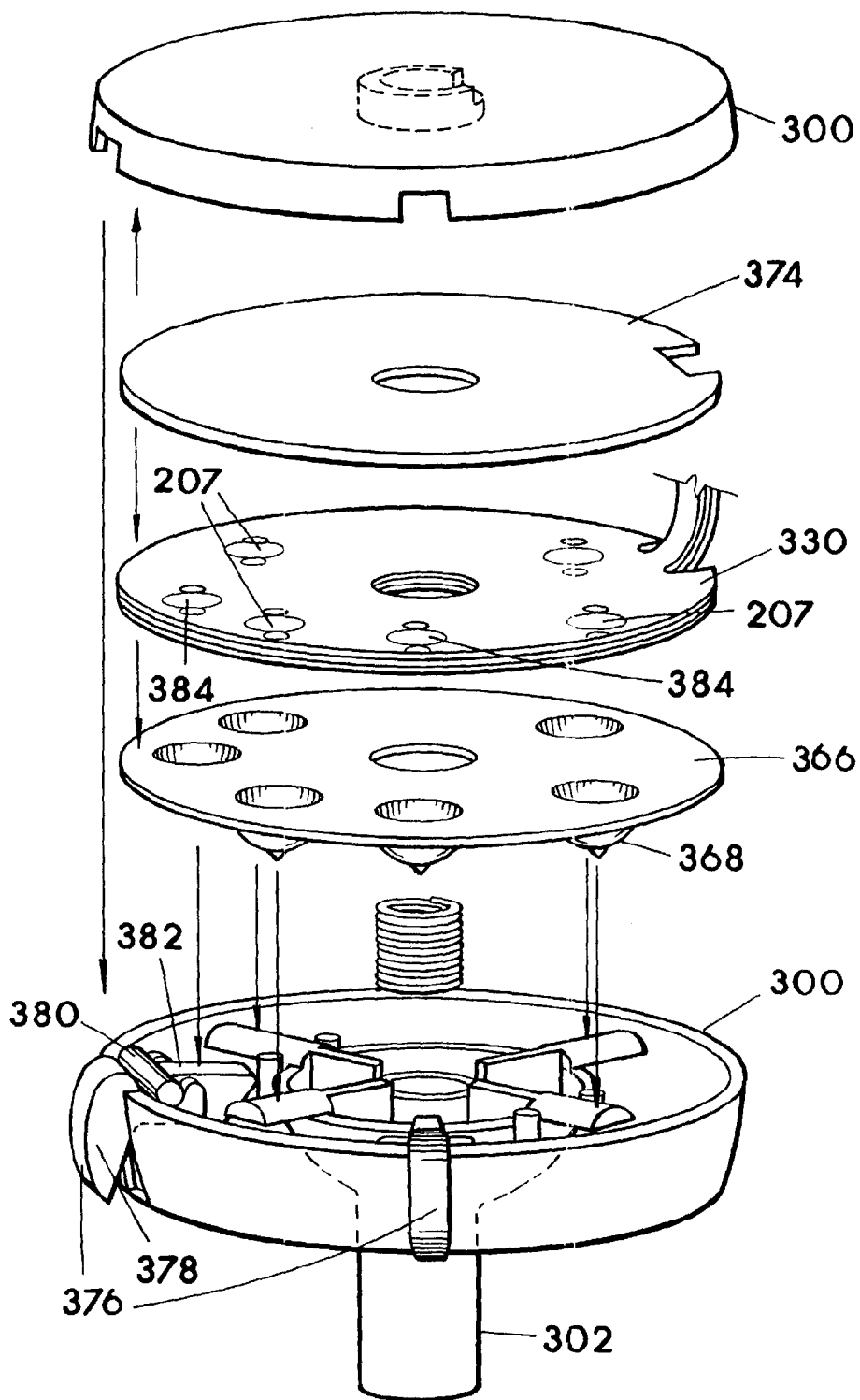


FIG. 28

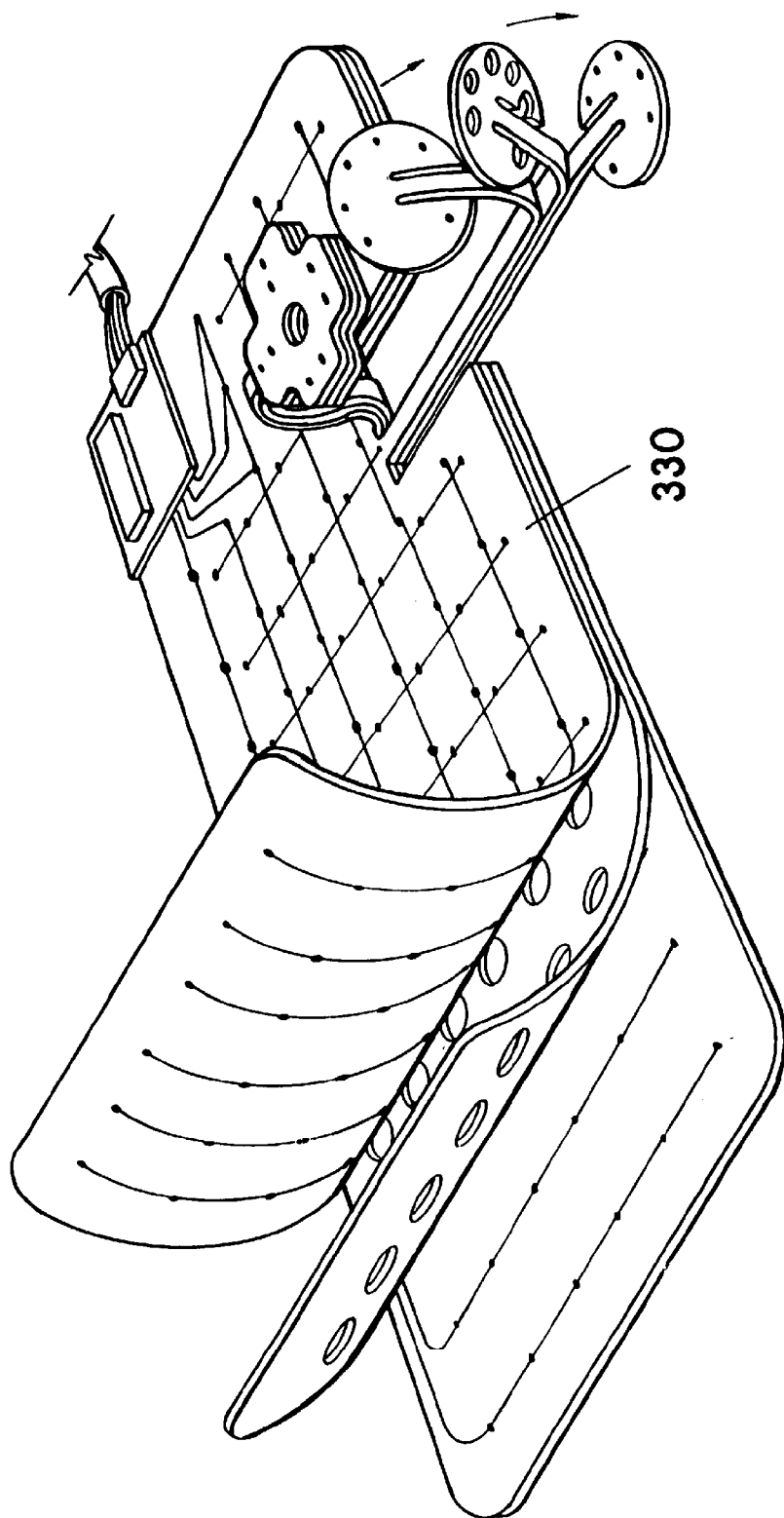


FIG. 29

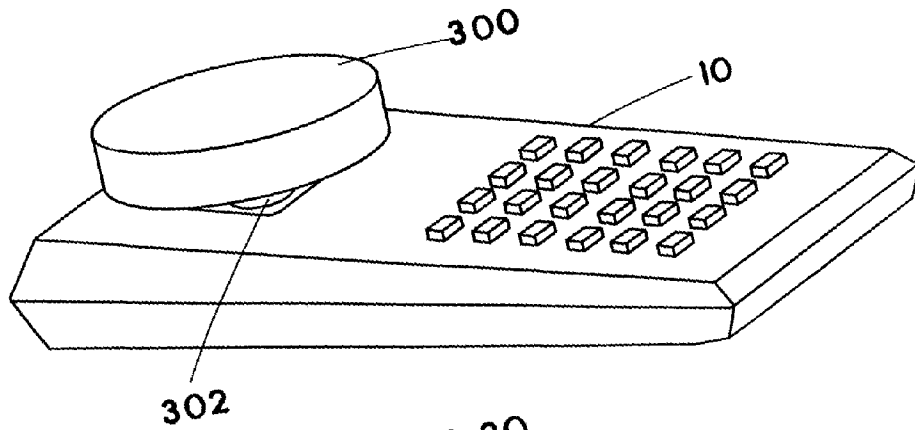


FIG. 30

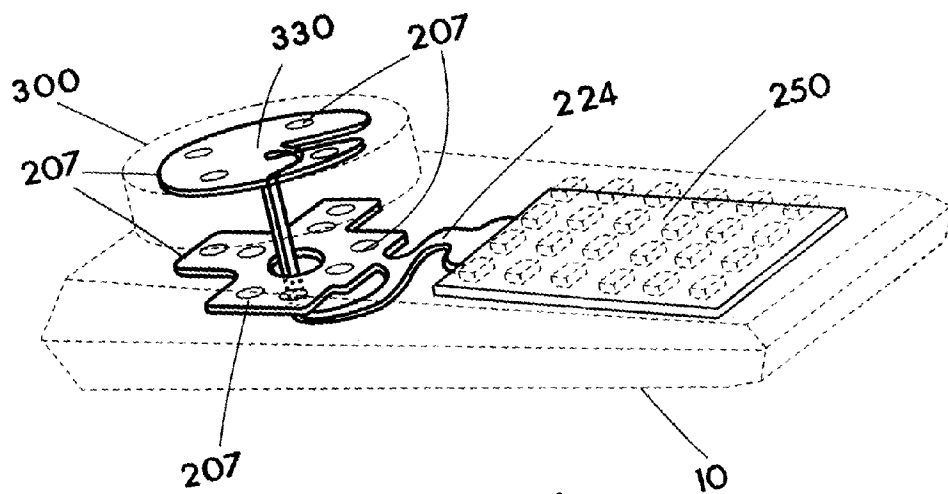


FIG. 31

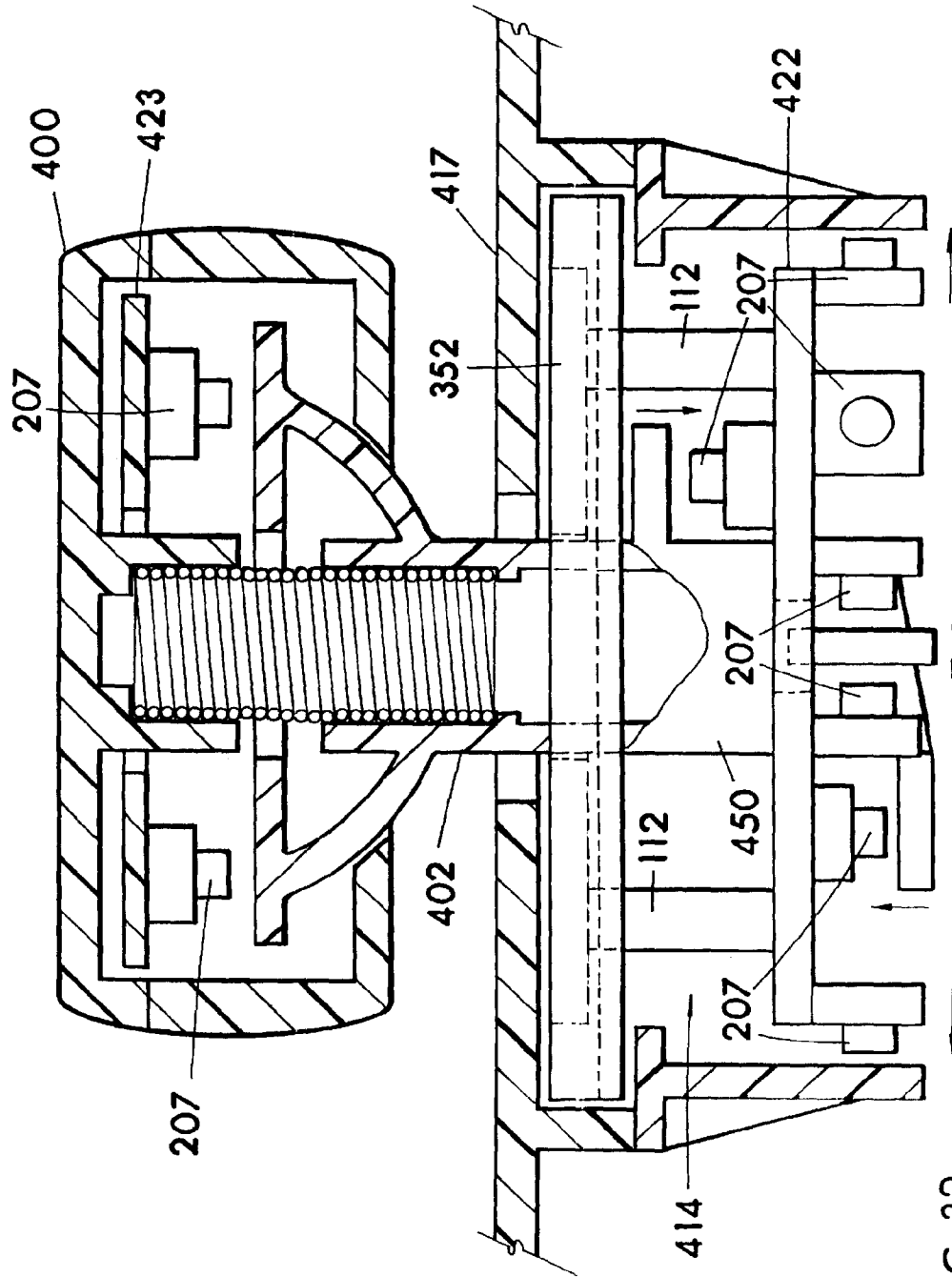
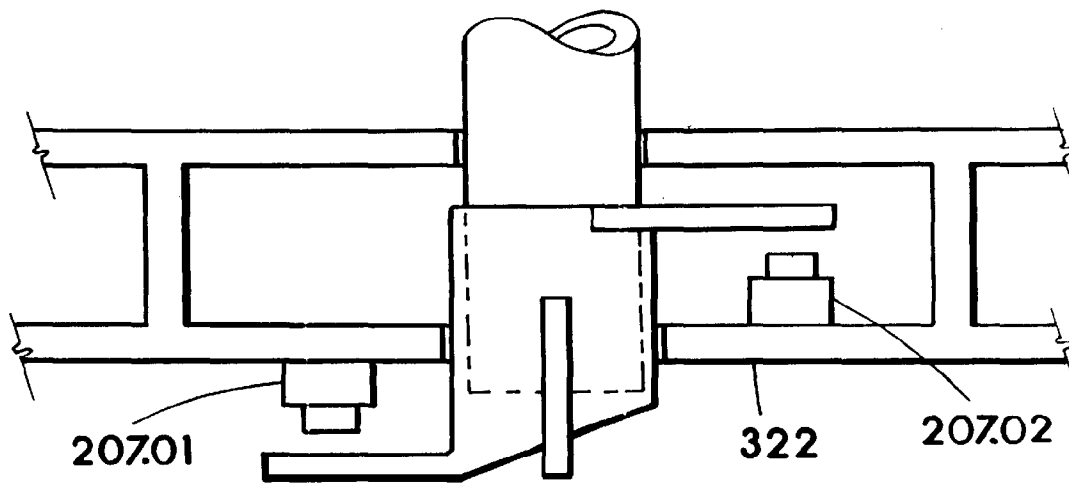
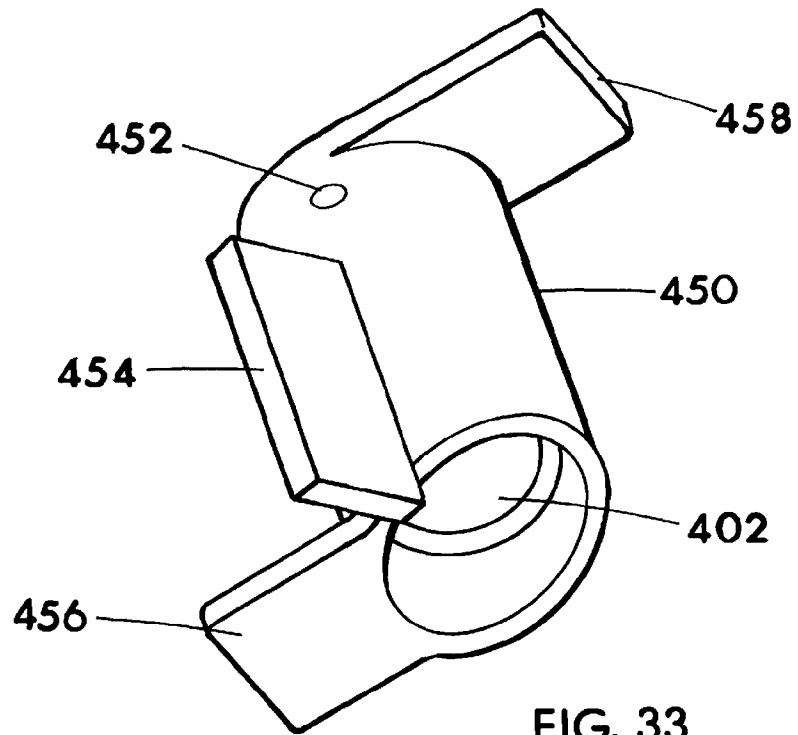


FIG. 32



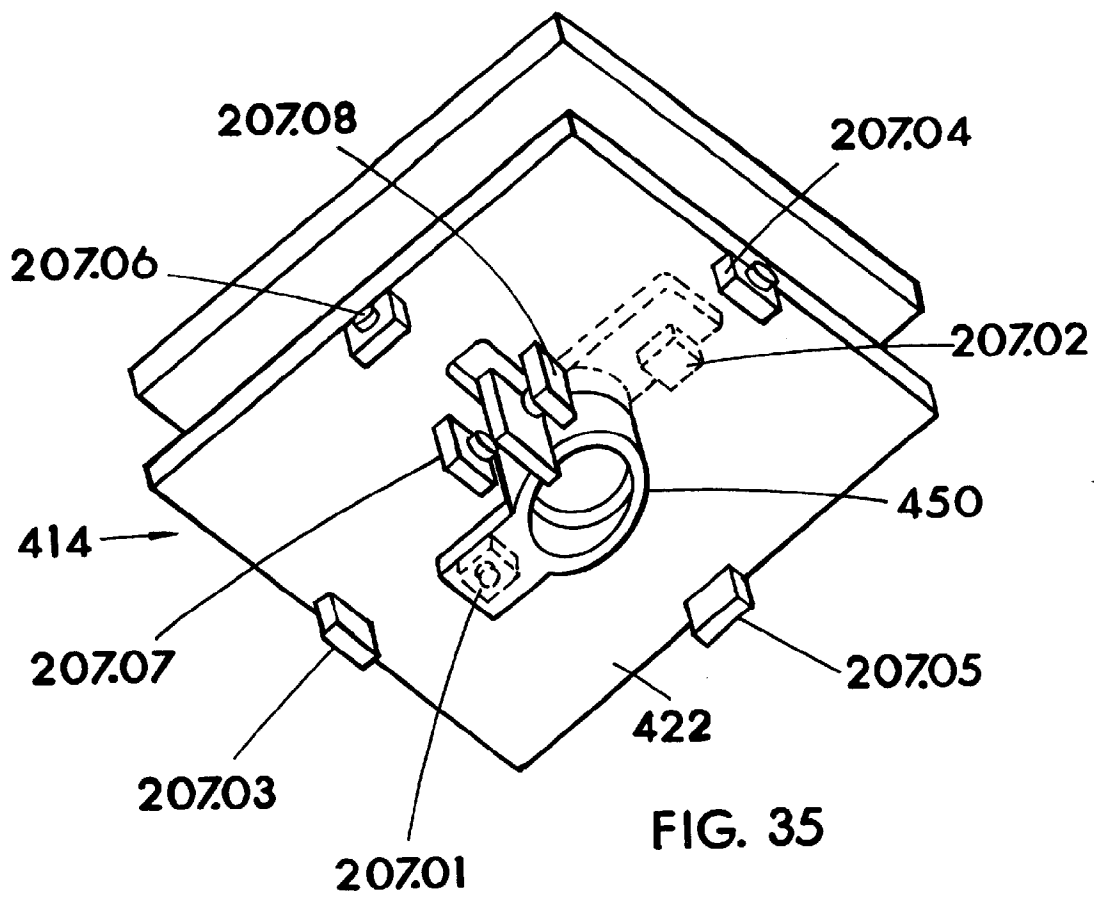
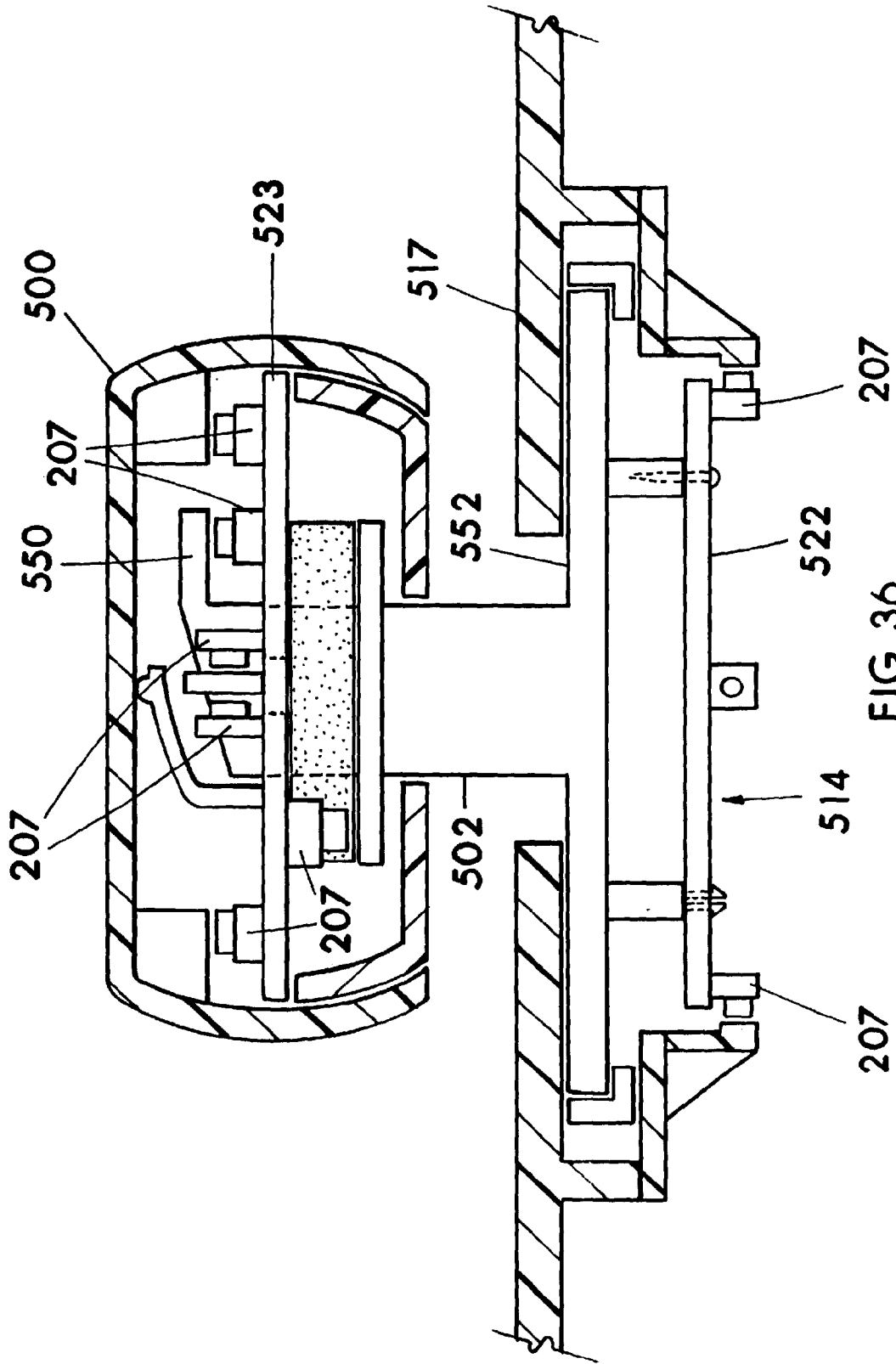
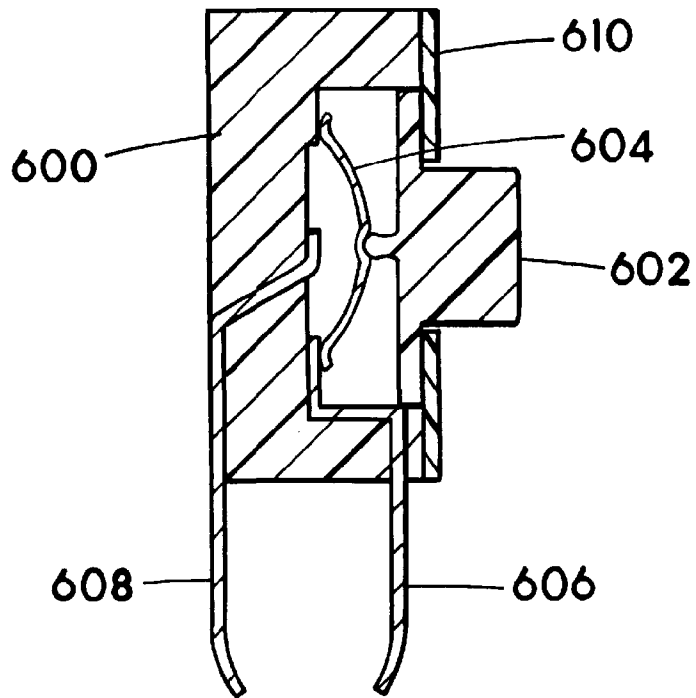


FIG. 35





PRIOR ART
FIG. 37

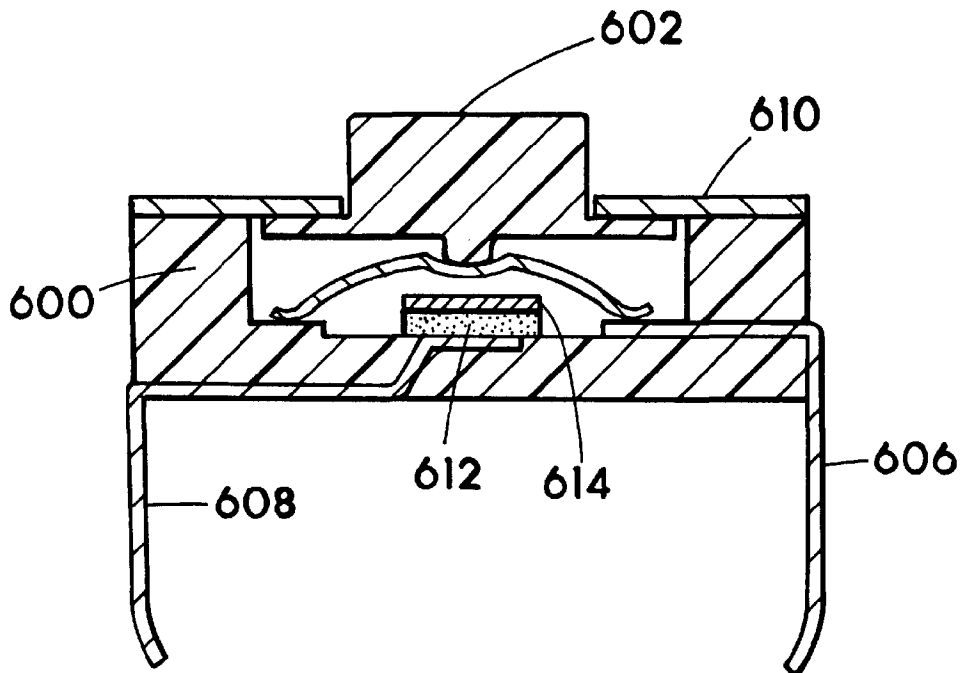
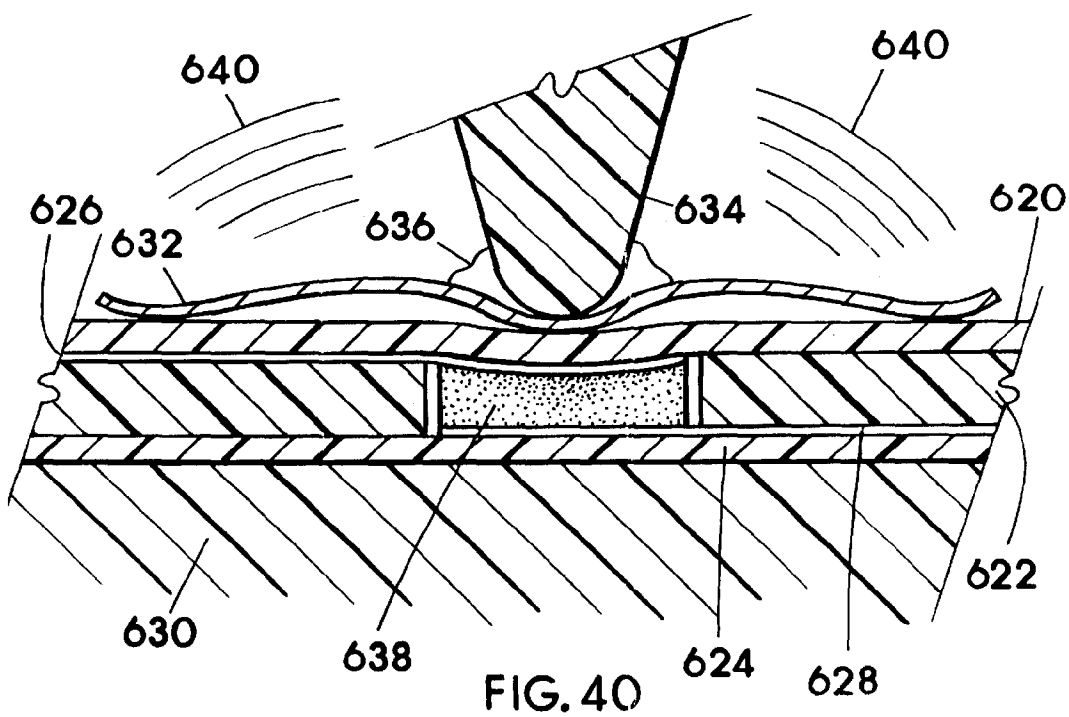
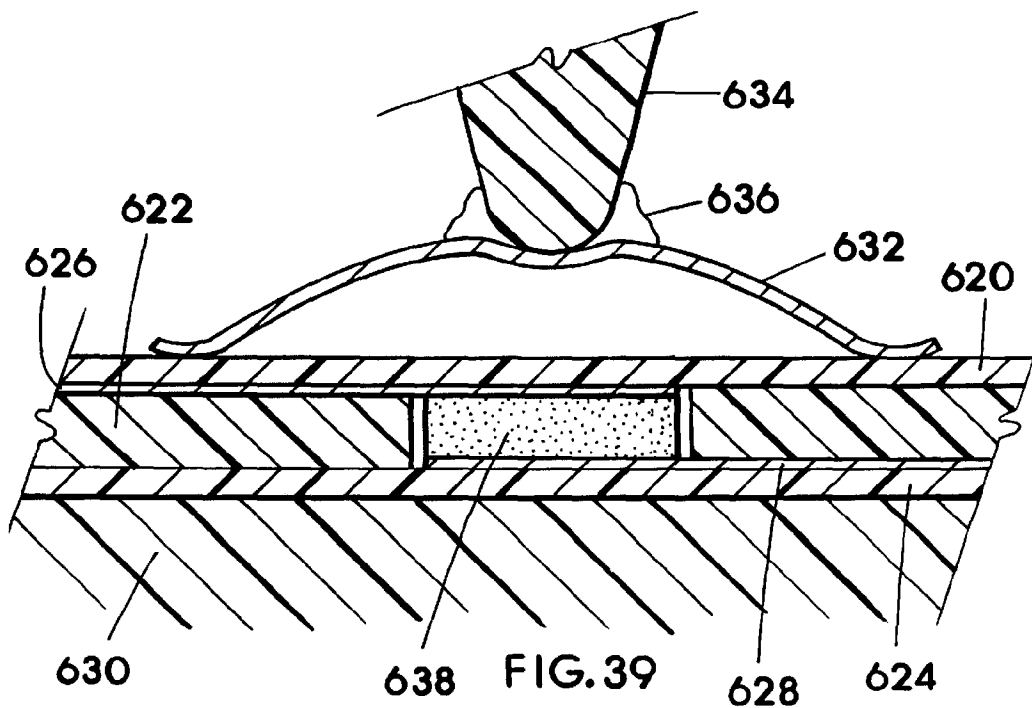


FIG. 38



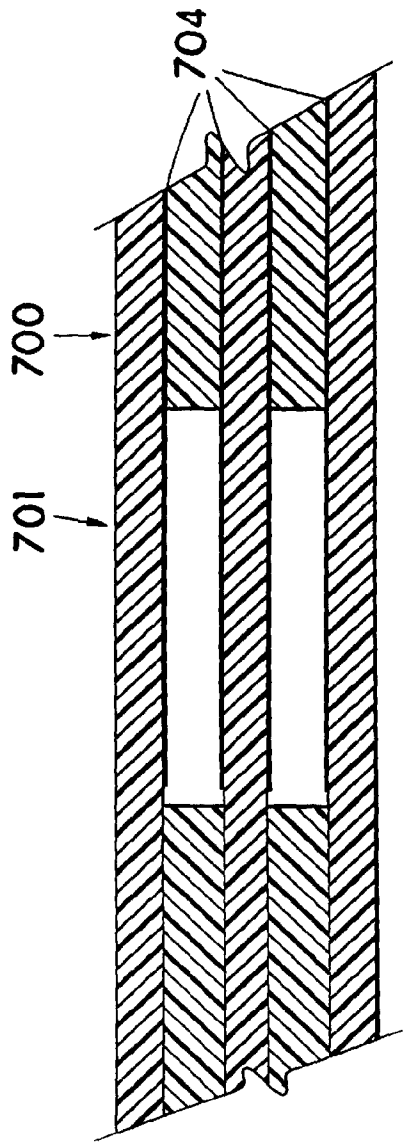


FIG. 41

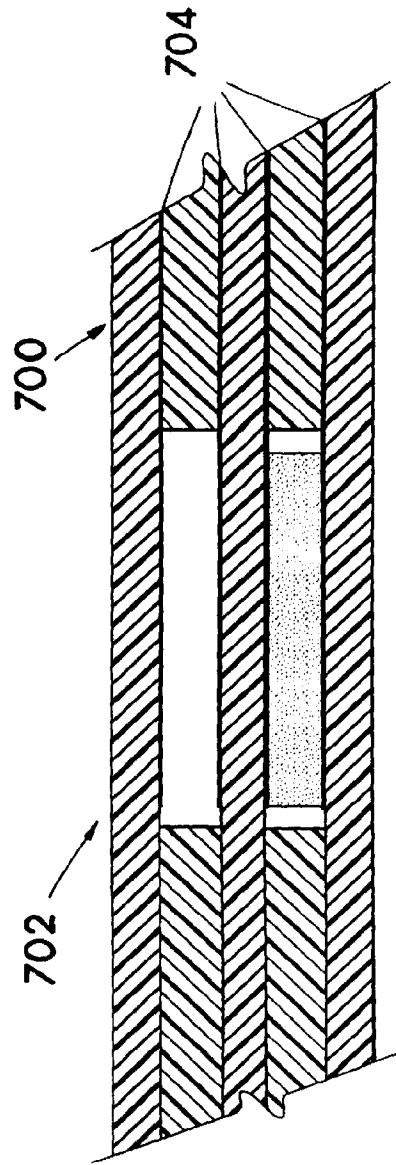


FIG. 42

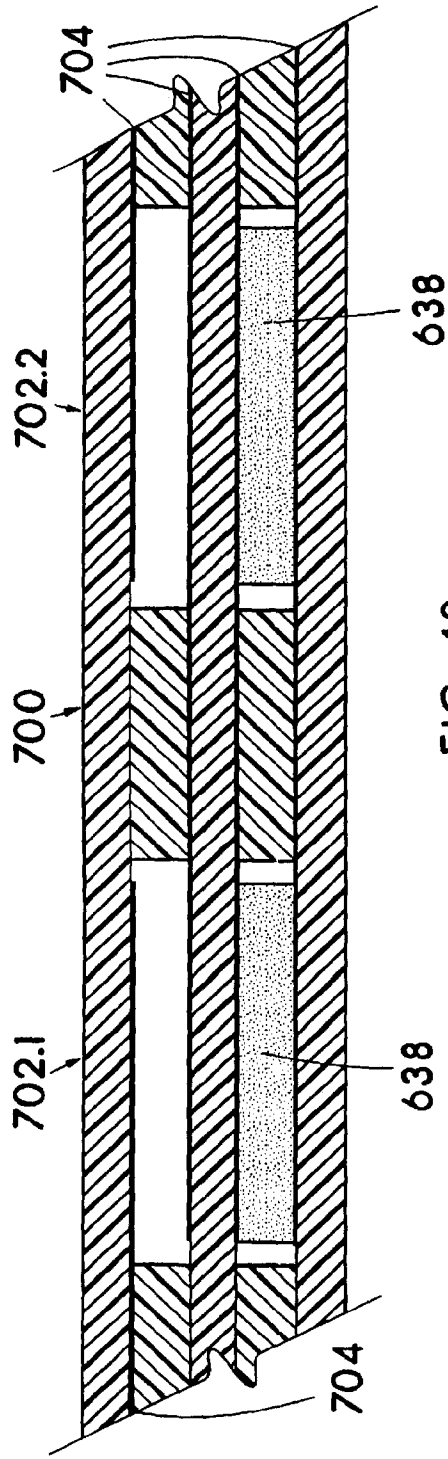


FIG. 43

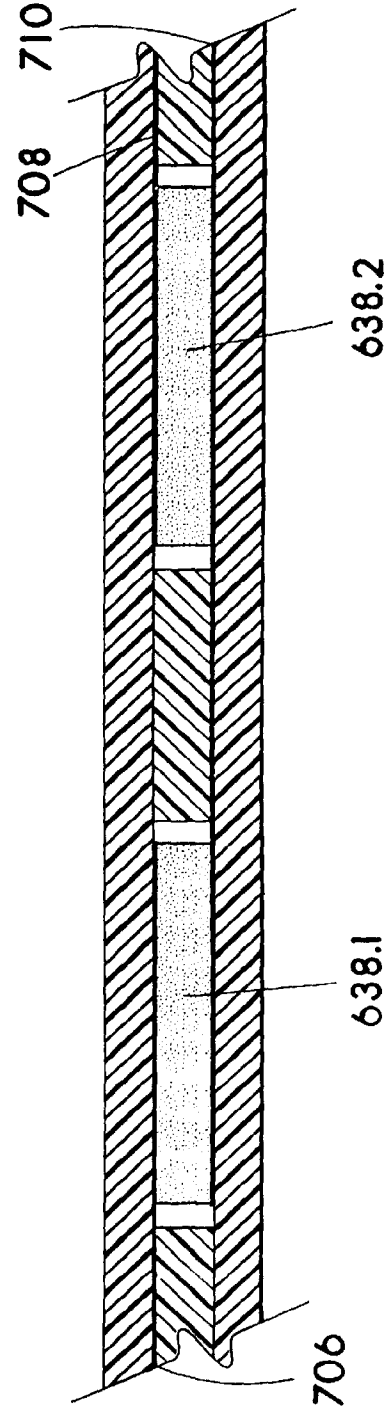


FIG. 44

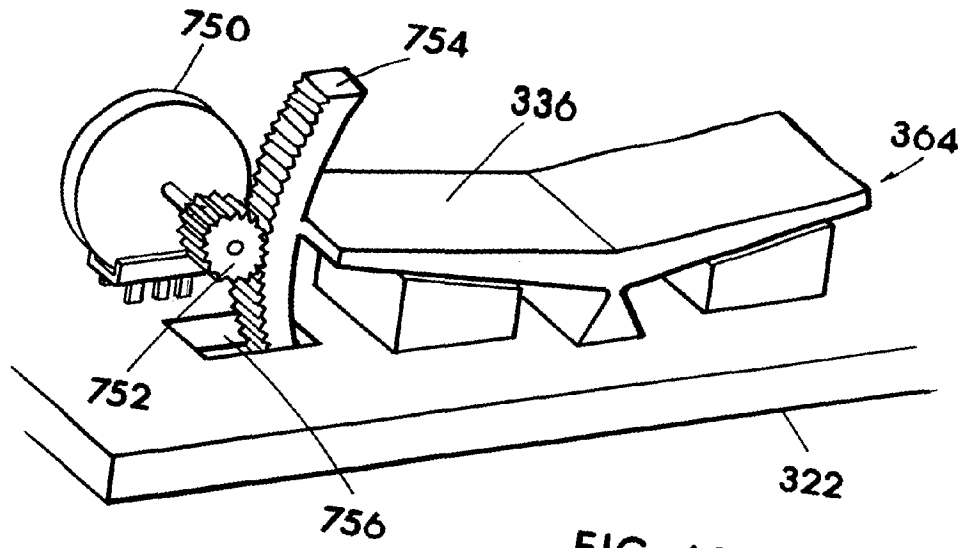


FIG. 45

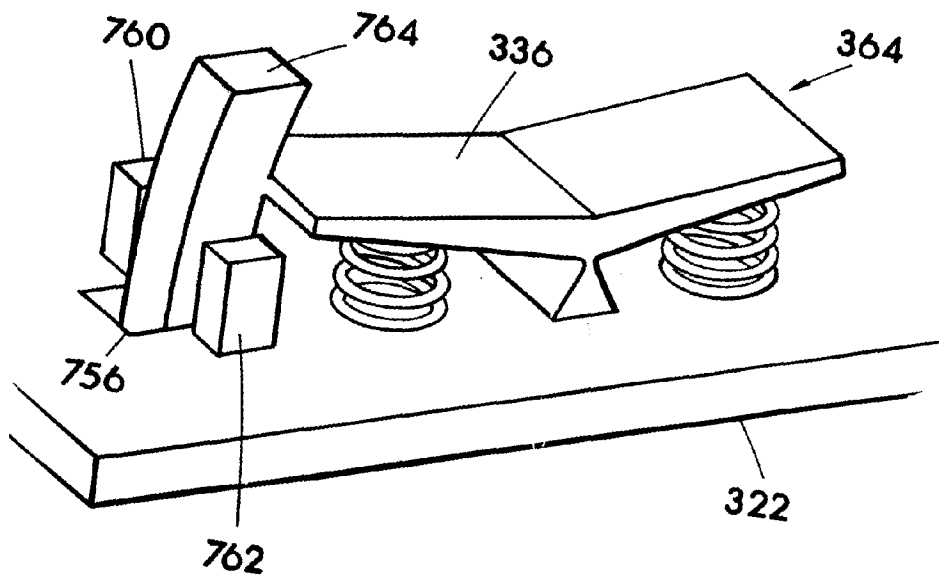


FIG. 46

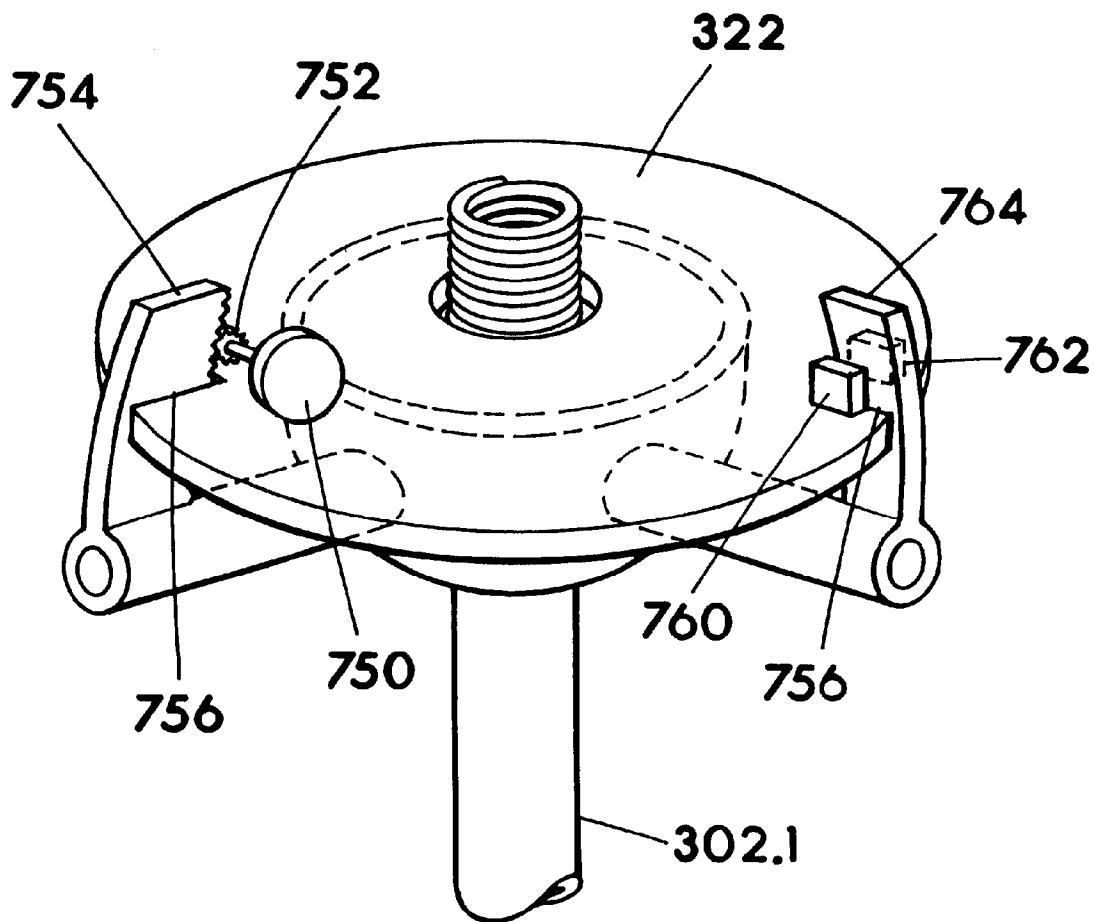


FIG. 47

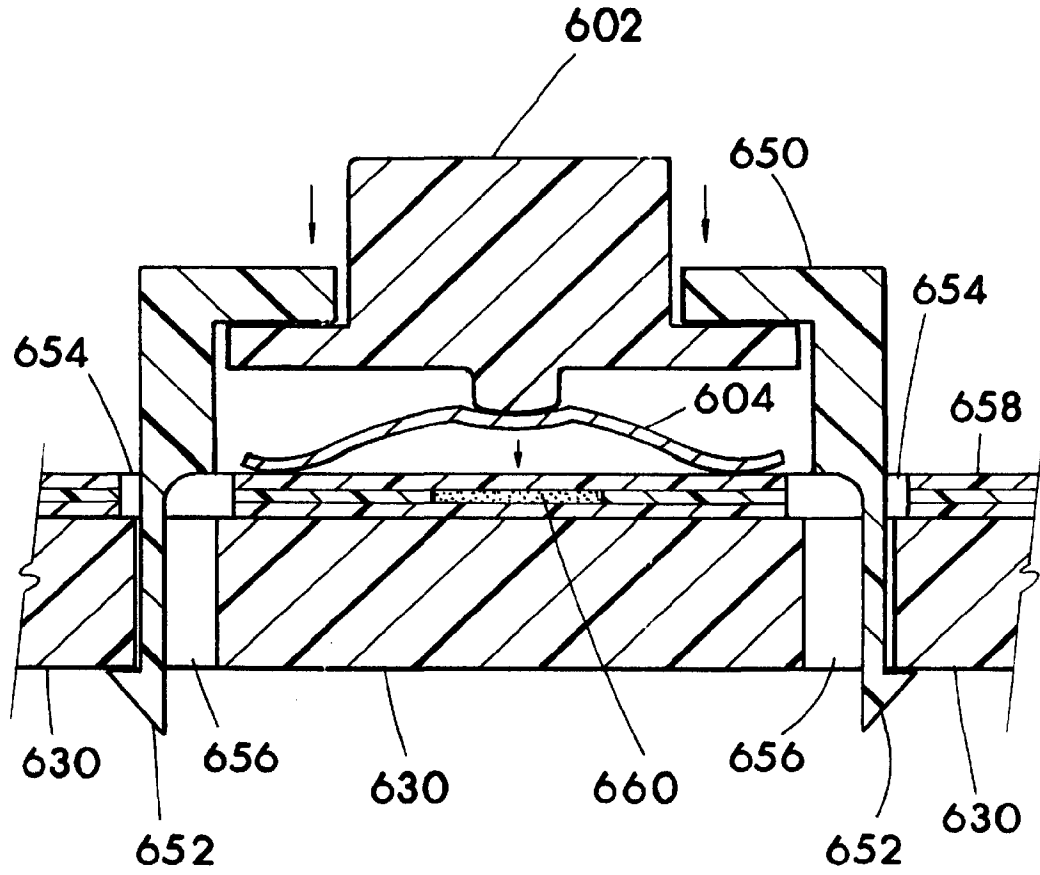


FIG.48

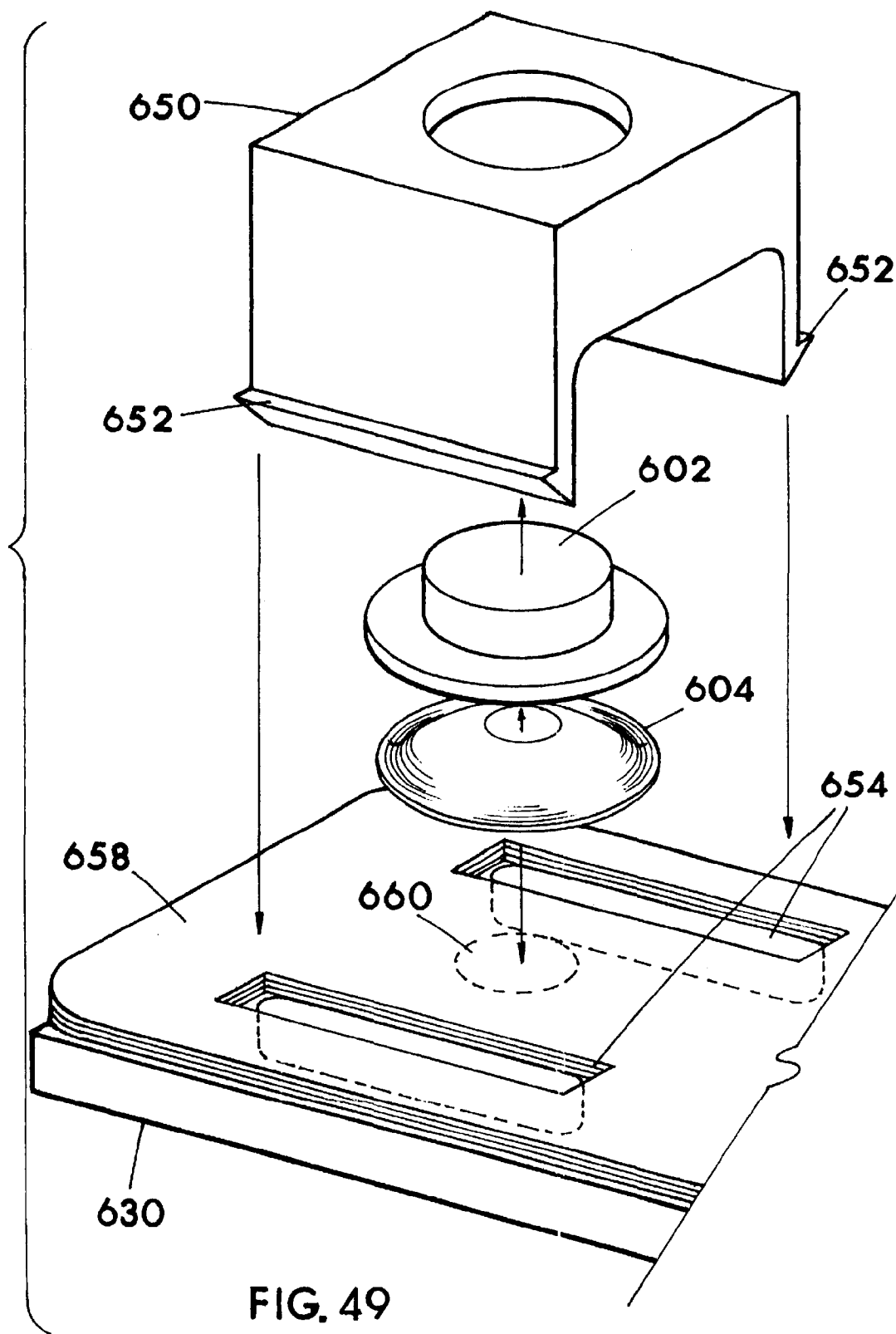


FIG. 49

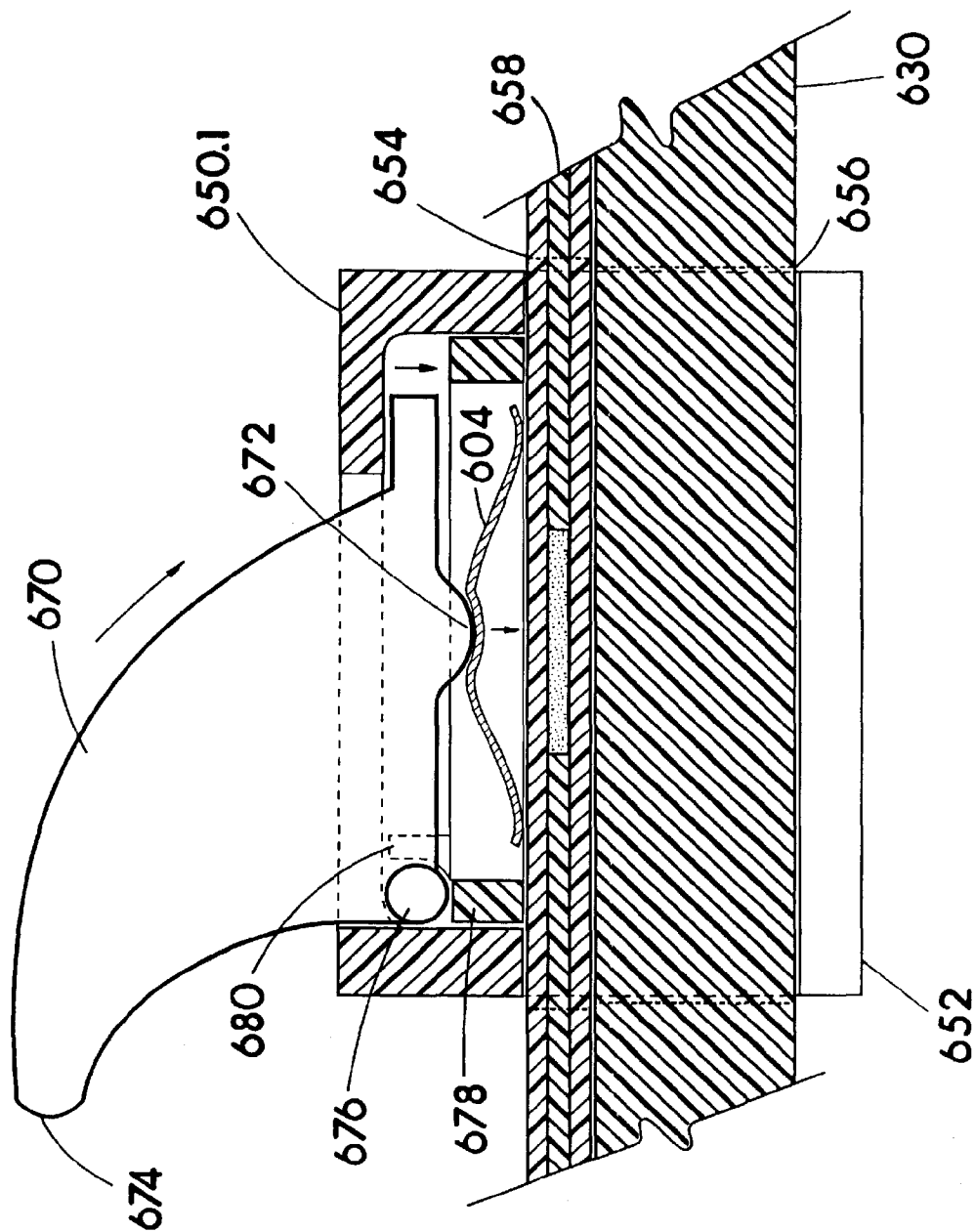


FIG. 50

IMAGE CONTROLLERS WITH SHEET CONNECTED SENSORS

This application is a continuation-in-part of U.S. patent application Ser. No. 07/847,619 filed on Mar. 5, 1992, now U.S. Pat. No. 5,589,828 and this application is a continuation-in-part of U.S. patent application Ser. No. 08/393,459 filed on Feb. 23, 1995, now U.S. Pat. No. 5,565,891.

BACKGROUND OF THE INVENTION

1. Field of the Invention

This invention relates to structuring for sheet supported sensors and associated circuitry in hand-operated graphic image controllers, and particularly six degree of freedom computer image controllers which serve as interface input devices between the human hand(s) and graphic image displays such as a computer or television display, a head mount display or any display capable of being viewed or perceived as being viewed by a human.

2. Description of the Prior Art

Although there are many related physical-to-electrical hand-controlled interfacing devices for use as image controllers taught in the prior art, none are structured similarly to the present invention, and none offer all of the advantages provided by the present invention.

In the highly competitive, cost-sensitive consumer electronics marketplace, the retail sales price of an item is normally closely coupled to its manufacturing cost. It is generally agreed that the retail purchase price, or cost to the consumer, of any item influences a consumer's purchasing decision. Thus, cost of manufacture ultimately influences the desirability and value of an item to the public at large. Generally, physical-to-electrical converters embodied in hand operated electronic image controllers such as trackballs, mouse type and joystick type, increase in manufacturing cost as the number of degrees of freedom which can be interpreted between a hand operable input member and a reference member increase.

Typically in the prior art, a three degree of freedom joystick type input device costs more to manufacture than a two degree of freedom joystick, and a six degree of freedom (henceforth 6 DOF) joystick input device costs significantly more to manufacture compared to a three degree of freedom joystick. Likewise, a three or more degree of freedom mouse-type controller costs more to manufacture than a standard two degree of freedom mouse.

Manufacturing costs in such devices generally increase because, for at least one reason, an increasing number of sensors is necessary for the additional axes control, and the sensors in the prior art, particularly with 6 DOF controllers having a single input member, typically have been positioned in widely-spread three dimensional constellations within the controller, thus requiring multiple sensor mounts and mount locations and labor intensive, thus costly, hand wiring with individually insulated wires from the sensors to a normally centralized circuitry location remote from the sensors.

In the prior art there exist 6 DOF controllers of a type having a hand operable, single input member moveable in six degrees of freedom for axes control relative to a reference member of the controller. This type of controller having the 6 DOF operable input member outputs a signal(s) for each degree of freedom input, and it is this type of 6 DOF controller which is believed to be by far the most easily used

for 3-D graphics control, and it is with this type of 6 DOF controller that the present invention is primarily concerned.

In the prior art, 6 DOF controllers of the type having a hand operable single input member utilize individual sensors and sensor units (bi-directional sensors) mounted and positioned in a widely-spread three dimensional constellation, due to the failure to provide structuring for cooperative interaction with the sensors, so that some, most or all of the sensors may to be brought into or to exist in a generally single area and preferably in a generally single plane or planes. The prior art fails to provide structuring, such as a carriage member, for allowing cooperative interaction with sensors. The prior art fails to demonstrate a carriage member which typically carries a sheet member connecting and supporting sensors.

Another failure in prior art 6 DOF controllers of the type having a hand operable single input member is the failure to use or anticipate use of inexpensive, flexible membrane sensor sheets, which are initially flat when manufactured, and which include sensors and conductive traces applied to the flat sheet structure. Such flat sheet membrane sensors could be advantageously used as a generally flat sensor support panel, or alternatively in bent or three dimensionally formed shapes in 6 DOF controller structures which utilize three dimensional constellation sensor mounting and appropriate structures for cooperative interaction with the sensors. The prior art in 6 DOF controllers of the type having a hand operable single input member, has failed to use and anticipate the use of, providing structures for cooperative interaction with sensors all in a single area which would allow use of a flat membrane sensor sheet or a flat printed circuit board supporting the sensors and sensor conductors. The prior art in 6 DOF controllers of the type having a hand operable single input member, has failed to use or anticipate use of flat sheet substratum as the foundation upon which to define or apply sensors such as by printing with conductive ink, or to mount the sensors such as by plug-in or soldered connection of the sensors, and preferably all of the required sensors for 6 DOF, and even further, the electrical conductors leading to and from the sensors in a printed or otherwise applied fixed position.

One prior art device which exemplifies many individual sensor units mounted in a widely-spread three dimensional constellation due to the sensor activators being located in many radically different elevations and planes, is shown in U.S. Pat. No. 4,555,960 issued Dec. 3, 1985 to M. King.

The King device is a 6 DOF controller which has sensors, which are load cells and rotary sensors such as potentiometers which are placed in various locations scattered essentially all over the controller. Such "scattered", individual sensor and sensor unit mounting locations are required in the King controller due to the failure to provide the structures for cooperative interaction with the sensors to all be located or brought into a single area of the controller, and thus the sensors in the King controller are not arranged in a manner allowing conventional automated installation such as on a generally flat circuit board, or for printed circuit traces engaging or connecting the sensors to be utilized, such as on a circuit board.

King also fails to anticipate the use of flexible membrane sensor sheets which include sensors and printed conductive traces which can be manufactured inexpensively in a flat sheet form, and used in flat sheet form, or alternatively, bent into three dimensionally formed shapes to position the sensors in three dimensional constellations. Thus the sensors and associated electrical conductors (wires) in the King

device are believed to be required to be hand installed, and the wires individually applied to the sensors and then brought into a generally central area during the manufacturing of the King controller. Such structuring as in the King device is costly to manufacture, which accounts for, at least in part, why 6 DOF controllers are very costly when compared to two degree of freedom controllers.

Another problem in prior art controllers such as the King device is reliability. In the King device, reliability is less than optimum due to the typical single input member 6 DOF prior art configuration of circuitry and sensors, because the hand wiring of sensors to remote circuitry is subject to malfunctions such as wires breaking, cold solder joints, and cross wiring due to error of the human assembler, etc.

Another problem in the circuitry and sensors as configured in typical prior art controllers, particularly 6 DOF controllers such as that of King, is serviceability, testing, and quality control during manufacturing, such as at the manufacturing plant wherein testing is applied before shipping, or after sales to the consumer such as with returns of defective controllers. The typical widely-spread prior art sensor mounting and hand applied wiring associated with the sensors renders trouble shooting and repair more costly.

Another prior art disclosure believed somewhat relevant is taught in U.S. Pat. No. 5,298,919 issued Mar. 29, 1994 to M. Chang. The Chang device is basically a six degree of freedom computer controller for computer graphics, and includes a generally flat plane printed circuit board on which all of the sensors are mounted. However, as will become appreciated, in Chang's controller, the lack of a hand operable single input member operable in six degrees of freedom has many significant disadvantages. Further, the Chang controller does not have a any input member capable of being manipulated in 6 DOF relative to any reference member of the controller, which yields additional significant disadvantages.

The Chang controller is structured as a mouse type input device having a roller ball on the underside requiring travel of the input device and housing thereof along a surface for rolling the underside ball for input of information pertaining to two axes of linear movement, which is typical of "mouse" type controllers. The Chang device includes a rotary thumb wheel mounted on the side of the housing to mimic linear movement of the housing along a third axis. The Chang device also includes a second roller ball (trackball) exposed for manual rotation on the upper surface of the housing, and upper trackball is provided to allow the user to input information pertaining to rotation about the three mutually perpendicular or orthogonal axes conventionally referred to as yaw, pitch and roll.

Major disadvantages which I believe exist in the Chang device, which do not exist in the present invention, include the requirement that the trackball housing be moved along a surface in order to input linear moment information. This requirement of surface contacting travel prohibits the use of the Chang device as a completely hand held controller, and prohibits the Chang controller from being incorporated into a multiple-purpose controller such as a hand held television remote controller or a conventional computer keyboard. Additionally, substantial physical space is required on a desk or table on which to propel a mouse type controller.

Another disadvantage of the Chang controller is that it is believed to be difficult to use, or in other words, the mouse roller ball on the underside of the housing which inputs linear moment information in some directions, is not capable of inputs in all linear directions, and thus the Chang device

includes the thumb wheel off to the housing side which is utilized to emulate, approximate or represent linear movement along the third axis. The hand movements required to move linearly utilizing pushing of the mouse housing for some directions, and the actuation of the thumb wheel for other directions is not intuitive and is thus confusing and difficult for the user.

Further, a mouse type controller such as Chang's cannot provide the desirable aspect of automatic return-to-center along the linear axes, or in other words, with a mouse, the user must actively move the mouse back to center (and center is often not easily determined by the user) since there are no feasible arrangements for the use of return-to-center springs or resilient structuring.

Additionally, the Chang device appears relatively expensive to manufacture, for at least one reason due to the use of six rotary encoders, three of which are utilized for linear inputs. Rotary encoders are relatively expensive compared to many other sensor types. Encoders can provide advantages in some instances for rotary inputs. Compared to some other types of sensors, rotary encoders are not only more expensive, but have significant disadvantages as linear input sensors.

The Chang controller does not have a single input member such as one ball or one handle which can be operated (causing representative electrical output) in six degrees of freedom. Nor can any one Chang input member be manipulated (moved) relative to a reference member on the controller in six degrees of freedom. Thus, the Chang device is functionally and structurally deficient.

Therefore, there exists a need for further improvements in the field of six degree of freedom controllers for graphics control such as on or through a computer and monitor or television screen or any display.

SUMMARY OF THE INVENTION

The following summary and detailed description is of best modes and preferred structures for carrying out the invention, and although there are clearly changes which could be made to that which is specifically herein described and shown in the included drawings, for the sake of brevity of this disclosure, all of these changes which fall within the true scope of the present invention have not herein been detailed.

In order that 6 DOF controllers be more affordable, and for a user to be easily able to control objects and/or navigate a viewpoint within a three-dimensional graphics display, I have developed improved, low-cost hand operated 6 DOF controllers for use with a computer or computerized television or the like host device. The controllers provide structuring for converting full six degrees of freedom physical input provided by a human hand on a hand operable single input member into representative outputs or signals useful either directly or indirectly for controlling or assisting in controlling graphic image displays. The present controllers sense hand inputs on the input member via movement or force influenced sensors, and send information describing rotation or rotational force of the hand operable input member in either direction about three mutually perpendicular bi-directional axes herein referred to as yaw, pitch and roll, (or first, second and third); and information describing linear moment of the hand operable input member along the axes to a host computer or like graphics generation device for control of graphics of a display, thus six degrees of freedom of movement or force against the input member are converted to input-representative signals for control of graphics images.

5

The present controllers include the hand operable input member defined in relationship to a reference member of the controller. The input member can be a trackball operable relative to a housing (reference member) as described in my above mentioned co-pending application, or alternatively, the input member can be any handle fit to be manipulated by a human hand, such as a joystick type handle, but in either case, the input member accepts 6 DOF of hand input relative to the reference member, and the converter acts or operates from the hand inputs to cause influencing of the sensors which inform or shape electricity to be used as, or to produce such as by way of processing, an output signal suitable for a host device to at least in part control the image on the display of the host device.

The present 6 DOF controller provides structuring for sensors to be located, in some embodiments, in a generally single plane, such as on a substantially flat flexible membrane sensor sheet, or a circuit board sheet. The use of flat sheet mounted or positioned sensors preferably electrically connected with fixed-place trace circuitry provides the advantages of very low cost sensor and associated sensor circuit manufacturing; ease in replacing a malfunctioning sensor or conductor by entire sheet replacement, and increased reliability due to the elimination of individually insulated wires to the sensors.

The use of sheet supported sensors and associated circuits enable the use of highly automated circuit and sensor defining and locating, resulting in lower manufacturing costs and higher product reliability. The utilization of flat sheet substratum supporting the sensors, and preferably sensor circuitry in conductive fixed-place trace form, provides many advantages, with one being the allowance of a short or low profile 6 DOF controller, and another, as previously mentioned, lower cost in manufacturing. In at least one preferred embodiment, all sensors for 6 DOF are positioned on one substantially flat sheet member, such as a circuit board sheet or membrane sensor sheet, and electrically conductive traces are applied to the sheet members and engaging the sensors. The conductive traces can be used to bring electricity to the sensors, depending on the sensor type selected to be utilized, and to conduct electricity controlled, shaped or informed by the sensor to an electronic processor or cable-out lead or the like.

As will be detailed in reference to a present embodiment of 6 DOF controller, the sensors and conductive traces can be manufactured on a generally flat flexible membrane sensor sheet material such as a non-conductive plastic sheet, which then may or may not be bent into a three dimensional configuration, even a widely-spread 3-D sensor constellation, thus sheet supported sensor structuring provides the advantages of very low cost sensor and associated sensor circuit manufacturing; ease in replacing a malfunctioning sensor or conductor by entire sheet replacement, and increased reliability due to the elimination of individually insulated wires to the sensors.

The present invention solves the aforementioned prior art problems associated with 6 DOF controllers having one 6 DOF input member, with multiple, individually hand mounted and positioned sensors or sensor units in widely-spread three dimensional constellations, and the problems of hand applied wiring of individually insulated wire to the individual sensors or sensor units. The present 6 DOF controller solves these problems primarily with sheet supported sensor structuring and most associated circuitry on the sheet which is at least initially flat when the sensors and conductive circuit traces are applied; the sheet circuitry and sensors being an arrangement particularly well suited for

6

automated manufacturing, and well suited for fast and simple test-point trouble shooting and single board or "sheet" unit replacement if malfunction occurs. Hand applying of the sensors and associated electrical conductors onto the flat sheet is not outside the scope of the invention, but is not as great of an advancement, for reasons of cost and reliability, compared to utilizing automated manufacturing processes that are currently in wide use.

Automated manufacturing of circuit boards with fixed-place trace conductors, sensors, discrete electronic components and integrated chips is in wide use today for television, computer, video and stereo manufacturing for example, and can employ the plugging-in of sensor and electrical components with computer controlled machinery, and the application of conductive trace conductors onto the otherwise non-conductive circuit board sheets is usually performed using automatic machinery, wherein the solder or conductive material adheres to printed fluxed or non-etched areas where electrical connections and conductive traces are desired, although other processes are used. Automated manufacturing of flat, flexible membrane sensor sheets is in wide use today for computer keyboards, programmable computer keypads, and consumer electronics control pads, to name just a few for example. Flexible membrane sensor sheets are currently being manufactured by way of utilizing non-conductive flexible plastics sheets, and printing thereon with electrically conductive ink when the sheets are laying flat, to define circuit conductors and contact switches (sensors). Usually, and this is believed well known, printed contact switches on flexible membranes utilizes three layers of plastic sheets for normal contact pair separation, with a first contact on one outer sheet, and a second contact of the pair on the opposite outer sheet, and a third inner sheet separating the aligned contact pair, but with a small hole in the inner sheet allowing one contact to be pressed inward through the hole to contact the other aligned contact of the pair, thus closing the circuit. A conductor trace of printed conductive ink is printed on each of the outer sheets and connects to the contact of that sheet. The contacts are also normally defined with conductive ink. Although this flexible membrane sensor structure in formed of multiple sheets stacked upon one another, it will herein generally be referred to as a membrane sensor sheet since it functions as a single unit. The printed conductive inks remain, or can be formulated to remain flexible after curing, and this allows the flexible membrane sensor sheet to be bent without the printed circuits breaking. Flexible membrane sensor sheets can be cut into many shapes before or after the application of the sensors and associated circuits.

For the purposes of this teaching, specification and claims, the term "sensor" or "sensors" is considered to include not only simple on/off, off/on contact switches, but also proportional sensors such as, proximity sensors, variable resistive and/or capacitive sensors, piezo sensors, variable voltage/amperage limiting or amplifying sensors, potentiometers, resistive and optical sensors or encoders and the like, and also other electricity-controlling, shaping or informing devices influenced by movement or force. Pressure sensitive variable resistance materials incorporated into sensors applied directly on flexible membranes, circuit boards and sensor packages mounted on sheet structures are anticipated as being highly useful as proportional sensors and desirable in 6 DOF controllers of the types herein disclosed.

For the purposes of this teaching, specification and claims, it is important to define the terms: "manipulate, operate and converter".

The term “manipulate”, and all derivatives (manipulated, manipulating, manipulatable, manipulation, etc.), is used in the context of the input member being manipulatable in 6 DOF relative to the reference member. This means that the input member or handle can be linearly moved along and/or rotated about the three mutually perpendicular axes in 6 DOF but it does not necessarily mean that sensors are being stimulated or that the device is outputting a representative signal. It only means that it can be moved and/or rotated in such a manner. It may or may not be stimulating sensors or outputting information representative of the handle manipulation. A handle capable of being “manipulated” in 6 DOF means only that it can be linearly moved and/or rotated relative to the reference member.

The term “operate”, and all derivatives (operated, operating, operable, operation, etc.) is used in the context of the input member being operable in 6 DOF relative to the reference member. This means that the handle can be linearly moved along and/or rotated about the three mutually perpendicular axes in 6 DOF and it does necessarily mean that sensors are being stimulated and that the device is outputting a signal representative of the input operation.

The term “converter”, and all affiliated words and derivatives (convert, converts, converted, conversion, etc.) is used in the context of a physical to electrical converter. Meaning this is a device that changes (converts) real world physical or mechanical movements and/or rotations of the input member (input) into electrical signals (output) carrying information describing, at least in part, the nature of the input member movement and/or rotation.

Also, for the purposes of this teaching, specification and claims, it is important to define the terms: “joystick-type” controller and “trackball-type” controller. The term “joystick-type” controller and the term “trackball-type” controller represent two different kinds of hand operated input controllers which both have a hand operable input member (handle or trackball) which is operated relative to a reference member (base, shaft or housing). The difference in these two types of controllers is: The input member of the joystick-type controller may be manipulatable or operable in up to 6 DOF but the freedom of the input member is only to move or rotate within a limited range of travel relative to the reference member; On the other hand, the input member of a trackball type device, typically being spherical in shape, has an unlimited amount of travel about the rotational axes. A 6 DOF trackball-type embodiment is illustrated in FIGS. 1–10, and 6 DOF joystick type embodiments are illustrated in FIGS. 13–36.

A primary object of the invention is to provide a 6 DOF image controller (physical-to-electrical converter), which includes a single input member being hand operable relative to a reference member of the controller, and the controller providing structure with the advantage of mounting the sensors in a generally single area or on at least one planar area, such as on a generally flat flexible membrane sensor sheet or circuit board sheet, so that the controller can be highly reliable and relatively inexpensive to manufacture.

Another object of the invention is to provide an easy to use 6 DOF controller (physical-to-electrical converter) which includes a single input member being hand operable relative to a reference member of the controller, and which provides the advantage of structure for cooperative interaction with the sensors positioned in a three dimensional constellation, with the sensors and associated circuit conductors initially applied to flexible substantially flat sheet material, which is then bent or otherwise formed into a suitable three dimensional

constellation appropriate for circuit trace routing and sensor location mounting.

Another object of the invention is to provide an easy to use 6 DOF controller, which includes a single input member hand operable relative to a reference member of the controller, and which has the advantage that it can be manufactured relatively inexpensively using sensors and associated circuits of types and positional layout capable of being assembled and/or defined with automated manufacturing processes on flat sheet material.

Another object of the invention is to provide an easy to use 6 DOF controller, which includes a single input member hand operable relative to a reference member of the controller, and which has the advantage that it can be manufactured using highly reliable automated manufacturing processes on flat sheet material, thus essentially eliminating errors of assembly such as erroneously routed wiring connections, cold or poor solder connections, etc.

Another object of the invention is to provide an easy to use 6 DOF controller, which includes a single input member hand operable relative to a reference member of the controller, and which has the advantage that it can be manufactured using sensors and associated circuits on flat sheet material so that serviceability and repair are easily and inexpensively achieved by a simple sheet replacement.

Another object of the invention is to provide a 6 DOF controller which is structured in such a manner as to allow the controller to be made with a relatively low profile input member, which offers many advantages in packaging for sale, operation in various embodiments and environments (such as a low profile 6 DOF handle integrated into a keyboard so that other surrounding keys can still be easily accessed) and function of the device (such as still allowing room for active tactile feedback means within a still small low handle shape).

Another object of the invention is to provide and meet the aforementioned objects in a 6 DOF controller which allows for the application and advantage of sensor choice. The invention can be constructed with sensors as simple as electrical contacts or more sophisticated proportional and pressure-sensitive variable output sensors, or the like. The printed circuit board provides great ease in using a wide variety of sensor types which can be plugged into or formed onto the board with automated component installing machinery, and the flexible membrane sensor sheet can also utilize a variety of sensors such as contact pairs and pressure-sensitive variable output sensors (pressure-sensitive variable resistors) printed or otherwise placed onto flexible membrane sensor sheets.

Another object of the invention is to provide and meet the aforementioned objects in a six degree of freedom controller providing the advantage of versatility of complex movements wherein all three perpendicular Cartesian coordinates (three mutually perpendicular axes herein referred to as yaw, pitch and roll) are interpreted bi-directionally, both in a linear fashion as in movement along or force down any axis, and a rotational fashion as in rotation or force about any axis. These linear and rotational interpretations can be combined in every possible way to describe every possible interpretation of three dimensions.

These, as well as further objects and advantages of the present invention will become better understood upon consideration of the remaining specification and drawings.

BRIEF DESCRIPTION OF THE DRAWINGS

FIG. 1 is a top view of a trackball type embodiment of the invention within a housing specific for a carriage and the trackball.

FIG. 2 is a cross-sectional side view of the FIG. 1 embodiment taken at line 2.

FIG. 3 is a cross-sectional end view taken at line 3 of FIG. 1.

FIG. 4 is a partial illustration of the carriage, the trackball and a track frame between two walls.

FIG. 5 is an illustration showing a portion of a slightly varied carriage, the trackball, and a collet which is rotatable about the trackball which can be used within the scope of the present invention. A rotary encoder is shown as an example of a sensor in contact with the bottom of the collet.

FIG. 6 is an illustration basically showing another form of the rotatable collet.

FIG. 7 shows three mutually perpendicular axes herein referred to as first, second and third, or respectively roll, pitch and yaw axes, which are shown having a mutual point of intersection at the center of the input member which is shown as a trackball but may be any hand manipulated input member.

FIG. 8 is an illustration of a housing structured specific for the carriage and trackball, and one which is generally flat-bottomed and thus structured suitably to rest upon a support surface such as a table or desk when utilized. A broken outline indicates the possibility of an additional extension which is ergonomically designed as a wrist and forearm rest.

FIG. 9 is the carriage and trackball in a hand held housing sized and shaped to be grasped in a hand of a user while the user controls graphic images with the controller.

FIG. 10 is the carriage and trackball housed in an otherwise relatively conventional computer keyboard having well over 40 keys for the alphabet, numbers 1-9, a spacebar and other function keys.

FIG. 11 represents a display such as a computer or television with display showing a cube displayed three dimensionally.

FIG. 12 is a partial cross-sectional end view of a joystick type embodiment of the invention. This embodiment is or can be structured identically to the FIG. 1 trackball embodiment, with the exception of an elongated graspable handle engaged on an exposed portion of the ball.

FIG. 13 shows an exploded view of another joystick embodiment of the current invention exhibiting structuring enabling use of a membrane sensor sheet.

FIG. 14 shows a membrane sensor sheet in flat form.

FIG. 15 shows a membrane sensor sheet in the folded 3-D configuration.

FIG. 16 shows all sensors in mechanical flat mount and right angle mount packages as they may be positioned on a rigid flat sheet, such as a circuit board sheet.

FIG. 17 shows a membrane sensor sheet in a variation where all 6 DOF sensors are positioned on a flat plane.

FIG. 18 shows structuring of the membrane sensor sheet as described in FIG. 17 as a novel appendage on an otherwise conventional membrane sensor sheet such as is found in a typical modern computer keyboard.

FIG. 19 shows an external view of a 6 DOF controller in accordance with the present invention positioned where the arrow key pad would be on an otherwise common computer keyboard housing.

FIG. 20 shows an exploded view of a two-planar embodiment having rocker-arm actuators.

FIG. 21 shows a side view of the embodiment of FIG. 20.

FIG. 22 shows a perspective view of the rocker-arm actuators of the embodiment of FIGS. 20-21.

FIG. 23-25 show various side views of two-armed rocker arm actuators in operation.

FIG. 26 shows a top view of a rocker arm layout and its reduced area by using two one-armed actuators.

FIG. 27 shows a side view of a one-armed rocker actuator.

FIG. 28 shows an exploded view of the handle of the embodiment of FIGS. 20 and 21.

FIG. 29 shows an otherwise typical computer keyboard membrane with custom appendages to fit into and be actuated by the structures of the embodiment shown in FIGS. 20-28 located in the arrow pad region of an otherwise typical computer keyboard.

FIG. 30 shows a perspective view of a 6 DOF handle integrated into an otherwise typical remote control device such as are used to control TVs, VCRs, Cable Boxes, and some computers, etc.

FIG. 31 shows a perspective view of the device of FIG. 30 in dashed lines and an internal view of a membrane shaped to fit the embodiment shown in FIGS. 20-29.

FIG. 32 shows a side view of a 6 DOF two planar device using one circuit board per plane for support of sensors and electronics with eight sensors located on a plane in the base and four sensors located on a plane in the handle.

FIG. 33 shows a perspective view of a third axis translation component for the embodiment shown in FIG. 32.

FIG. 34 shows a side view of the component of FIG. 34 in a carriage.

FIG. 35 shows a perspective view of the components shown in FIGS. 32-34.

FIG. 36 shows a side view of a two planar embodiment using circuit boards but having substantially different sensor placements and structuring, with eight sensors located on a plane in the handle and four sensors on a plane in the base.

FIG. 37 shows a side cross-section view of a typical right angle solder mount sensor package for a momentary-On switch sensor.

FIG. 38 shows a side cross-section view of a horizontal or flat solder mount sensor package containing a proportional pressure sensitive element internally.

FIG. 39 shows a side cross-section view of a proportional membrane sensor having a metallic dome cap actuator in the non-activated position.

FIG. 40 shows a side cross-section view of a proportional membrane sensor having a metallic dome cap actuator in the activated position.

FIG. 41 shows a side cross-section view of a compound membrane sensor having multiple simple On/Off switched elements piggy backed one on top of another.

FIG. 42 shows a side cross-section view of a compound membrane sensor having both a simple On/Off switched element and a proportional element which are simultaneously activated.

FIG. 43 shows a side cross-section view of two compound sensors of the type shown in FIG. 42 arranged to create a single bidirectional proportional sensor.

FIG. 44 shows a side cross-section view of two unidirectional proportional sensors electrically connected to form a single bidirectional sensor with a central null area.

FIG. 45 shows a perspective view of a generic rocker arm actuator operating a bidirectional rotary sensor.

FIG. 46 shows a perspective view of a generic rocker arm actuator operating a bidirectional optical sensor.

FIG. 47 shows a perspective view of the sensors of FIGS. 45 and 46 as they can be embodied within a handle.

11

FIG. 48 shows a side cross-section view of a novel structure for anchoring a membrane sensor in position and also for holding sensor actuating structures in position.

FIG. 49 shows an exploded view of the embodiment of FIG. 41.

FIG. 50 shows a median cross-section view of the embodiment of FIGS. 48 and 49 but in a right angle variation.

BEST MODES FOR CARRYING OUT THE INVENTION

Referring now to the drawings in general, and particularly to drawing FIGS. 1 through 11 for a description a trackball-type embodiment 9 exemplifying principles of the invention. Joystick-type embodiments further exemplifying the principles of the invention are then described as additional preferred embodiments of the invention.

With reference to FIGS. 1-4 in particular wherein trackball-type embodiment 9, being a hand operable 6 DOF controller for outputting control information is illustrated showing a rectangular housing 10 which is considered a reference member relative to which is operated trackball 12 which in this example is the hand operable single input member operable in full six degrees of freedom. FIGS. 2-3 being cross-sectional views of the FIG. 1 embodiment showing housing 10 which can at least in part support, retain and protect moveable carriage 14.

As may be appreciated already from the above writing and drawings, carriage 14 is supported at least in part within housing 10 and with structuring for allowing carriage 14 to be moveable or moved in all linear directions relative to housing 10, for example, left, right, forward, rearward, up and down, and in the possible combinations thereof. Furthermore, housing 10 may be specific for the present six degree of freedom controller as exemplified in FIGS. 1-3 and 8, or the housing 10 of another functional device such as an otherwise typical hand held remote control housing or computer keyboard housing as shown in FIGS. 9 and 10 respectively, and offering or including functions such as keyboarding, cursor control, on/off, volume control, channel control and the like in addition to that offered by the present six degree of freedom controller. Housing 10 may be in effect the panel or panels of a control console of a vehicle or machine. Housing 10 may be any size within reason, although trackball 12, any exposed part of carriage 14 or housing 10 intended to be manually controlled or hand held should of course be correctly sized to interface with the human hand or hands. When housing 10 is too large to allow easy use of the housing walls upon which to place carriage movement stops (stationary walls or posts to limit movement of the carriage) or sensor actuators or sensor supports such as would be likely with the keyboard housing of FIG. 10 wherein the housing side walls are a substantial distance apart, then walls, partitions or posts specific for these purposes may be placed in any desired and advantageous location within housing 10 as shown for example in FIG. 2 wherein actuators 100 and 104 are shown extending vertically upward from the interior bottom of housing 10, inward of the interior side walls of the housing, and supporting or serving as a switch/sensor actuator, or a second component of the sensor, such as a second component of a two piece proximity sensor for example. Actuator 100 functions in conjunction with forward sensor 102, and actuator 104 functions in conjunction with rearward sensor 106 in this example. FIG. 3 illustrates for example the use of side walls 18 of housing 10 as the sensor actuators 116 and 120 or press

12

plates for right sensor 118 and left sensor 122. Housing 10 in most all applications will be made of rigid or semi-rigid plastics for cost, weight and strength considerations, although other materials might be functionally suitable.

Although it must be noted that within the scope of the invention carriage 14 functions may conceivably be provided with numerous structures, carriage 14 is shown in the drawings as including a lower member 20 and an upper member 22 positioned above lower member 20. In this example, lower member 20 is shown as a rigid sheet member such as a circuit board, but could be structured as a rigid sheet supporting a flexible membrane sensor sheet having at least circuitry in the form of electrically conductive circuit traces which are stationary on the sheet member. Lower and upper members 20, 22 in this example are each plate-like and rectangular, are in spaced parallel relationship to one another, are horizontally disposed, and are rigidly connected to one another via vertically oriented rigid connecting posts 24. Upper member 22 and lower member 20 are preferably of rigid materials such as rigid plastics, as are connecting posts 24 which may be integrally molded as one part with upper member 22 and connected to lower member 20 utilizing a mushroom-head shaped snap connector end on each posts 24 snapped through holes in member 20, or with screws passed upward through holes in member 20 and threadably engaged in holes in the bottom terminal ends of posts 24. Glue or adhesives could be used to connect posts 24 to lower member 20. Typically four connecting posts 24 would be used as indicated in dotted outline in FIG. 1 although the posts could easily be substituted with equivalent structures such as two walls, etc. The separate lower member 20 which is then attached to upper member 22, allows member 20 to be flat on each side and more suitably shaped and structured to allow circuit traces and sensors to be applied utilizing automated machinery, without upper member 22 being in the way. Upper member 22 includes an opening 26 in which trackball 12 resides and extends partly therethrough, and opening 26 may include an annular raised lip or ring such as a threaded ring 28 or the like for engaging a cooperatively structured collet 16 such as one having threading at the bottom edge thereof, or it may be an opening absent any raised lip or extending collet as illustrated in FIG. 8 wherein trackball 12 is shown extending upward through opening 26 in upper member 22. Trackball 12 also might be exposed in great part (more than 50 percent) without using collet 16 by utilizing an arm extending upward from carriage 14 and partially over trackball 12 in such a manner as to retain trackball 12 in unison with carriage 14 for all linear movements. Collet 16, if utilized, serves as an easily gripped member allowing the human hand to move carriage 14 and thus trackball 12 in any linear direction desired, although when collet 16 is not utilized, trackball 12 can be grasped by the fingers of the hand to also move carriage 14 in any linear direction. If a graspable collet is not used, then the exposed portion of trackball 12 is available for grasping with the fingers to apply force in any linear direction, much like a basketball player grasps a basketball in one hand or in the fingers.

Lower member 20 of carriage 14 preferably physically supports wheels, rollers, bearing or slide members or smooth surfaces which otherwise aid in supporting trackball 12 in a freely spherically rotatable manner, and in the example illustrated, three mutually perpendicular encoders (sensors) 124, 126, 128 mounted on the upper surface of lower member 20 for sensing rotation, direction and amount of rotation of trackball 12 about the yaw, pitch and roll axes include rotatable wheels upon and against which trackball

12 rests, and is thereby rotatably supported. In most applications, the weight of trackball 12 and its most common positioning within the supporting rotatable wheels of the encoders causes sufficient frictional engagement between the encoder wheels and trackball 12 so that rotation of the trackball causes rotation of one or more of the encoders, depending upon the axis about which trackball 12 is rotated. The structure of carriage 14 and collet 16 if the extending collet is used, is sufficiently close in fit to trackball 12 to render a substantial link in linear movement between carriage 14, collet 16 and trackball 12. In other words, linear movements in trackball 12 are substantially equal to linear movement of carriage 14 and collet 16. It should be noted that I consider collet 16 as shown in FIG. 2 and some other drawings, whether it is a fixed or rotatable collet (to be detailed) to be part of carriage 14 since it is supported or fastened to carriage 14 and moves therewith. As previously stated, carriage 14 is supported with structuring for allowing movement in all linear directions relative to housing 10, for example, left and right which is linear movement along the pitch axis in this example; forward and rearward which is linear movement along the roll axis in this example; up and down which is linear movement along the yaw axis in this example; and in the possible combinations thereof, and sensors are positioned to detect and provide (output) information related to such linear movements of carriage 14 relative to housing 10. Clearly since trackball 12 and collet 16 are linked to move linearly with carriage 14, trackball 12 can be moved linearly in all directions relative to housing 10, wherein housing 10 is considered the reference member. I prefer carriage 14 to be not rotatable relative to housing 10 since rotation interpretations about the three mutually perpendicular axes (see FIG. 7) are provided via trackball 12 and encoders 124, 126, 128 for sensing spherical rotation of trackball 12 about yaw, pitch and roll. Therefore, I prefer carriage 14 to be supported or retained in such a manner and by appropriate structure to allow carriage 14 to be moved linearly in all possible directions, but prevented from being axially rotated relative to housing 10 so that trackball 12 can be rotated when desired without carriage 14 unintentionally being rotated, and this so the encoders (or whatever rotational sensors which may be utilized) will be rotated. I would consider it to be within the scope of the invention if carriage 14 was to be supported in a manner which would allow limited axial rotation thereof, although I believe this to be an undesirable aspect.

Although the structuring to physically support carriage 14 so it can be moved in any linear direction can conceivably be accomplished through numerous structural arrangements, two are illustrated for example, with a first shown in FIGS. 1-4, and a second shown in FIG. 6. I prefer there be a return-to-center aspect regarding carriage 14, and preferably a center null associated with this return-to-center wherein no significant linear sensor activation occurs. This carriage return-to-center and to center null can conceivably be accomplished with numerous structures, but one structure which should be readily understandable and therefore makes a good example is to simply utilize on/off switches as the carriage position linear sensors for moment related information output, with the switches including activation buttons which are outwardly spring biased, wherein carriage 14 can be pushed against one of the switches to the point of activating the switch (closing or opening a set of electrical contacts), which of course sends or outputs information relating to this event via allowing or interrupting current flow, and the button spring being depressed by carriage 14 would then push carriage 14 back toward the center and the

null position upon the user releasing pressure toward that particular switch. Furthermore, as mentioned above, if such an on/off switch using spring biasing were to be of a type which made a detectable click or snap upon being activated by pressure from carriage 14, and this is a commonly available snap switch, then this click or snap could be felt or heard by the user, and thus the user would be provided information alerting him of the activation or possibly deactivation of the switch. Snapping or clicking mechanisms which are not sensors can of course be installed when sensors of a type which are silent are used, and tactile or audible signals indicating sensor activation or deactivation is desired.

With reference to FIGS. 2-3, expanded foam rubber 30 is shown placed against the bottom interior of housing 10 and underneath lower member 20 of carriage 14. Snap or spring biased switches as described above may be used in conjunction with foam rubber 30. Foam rubber 30 is a resiliently compressible and thus spring material. Foam rubber 30, and other spring materials such as coiled compression springs, leaf springs and the like could conceivably be used instead of foam rubber, however foam rubber functions well, is inexpensive, readily available and easily shaped or cut. I have even considered suspending carriage 14 on tension springs hung from the underside interior of housing 10, but this seems to be an excessively complicated structure compared to using foam rubber as shown and described. Foam rubber 30 in the example of FIGS. 2-3 is a rectangular piece having a center cut-out or opening at 32 to allow for the interaction of down sensor 110 shown mounted on the underside of lower member 20 with actuator 108 specific for interaction with down sensor 110 located beneath the sensor 110. The actuator 108 for down sensor 110 is sized to allow the abutment or actuation of the down sensor 110 no matter where carriage 14 has been moved laterally when the user wishes to push down on carriage 14 to activate the sensor 110. Foam rubber 30 being compressible will allow the user to push down on trackball 12 or collet 16, or possibly the exposed top of carriage 14 (upper member 22) to push carriage 14 downward to activate the down sensor 110. This pushing downward compresses the foam rubber 30, and when the user releases the downward pressure, the foam rubber 30 being resilient pushes carriage 14 upward again to deactivate the down sensor 110 and to move carriage 14 into the center null position. Foam rubber 30 in the example shown in FIGS. 2-3 is rectangular and slightly larger in all dimensions than the size of lower member 20, and the foam rubber 30 is affixed to the underside of lower member 20 such as by glue or mechanical fasteners so that the foam is securely affixed to the lower member (carriage). Since the foam rubber 30 is slightly larger than the lower member 20, the foam rubber 30 extends outward laterally beyond all peripheral sides of the lower member 20. This extending portion of the foam rubber 30 serves as a spring bumper which as shown in FIG. 2 is compressed against actuators 100, 104 (or housing side walls 18 under some circumstances) prior to the sensors 102, 106 shown on the left and right being activated, and in the case of the FIG. 3 drawing is compressed against the side walls 18 of housing 10 prior to the sensors 118, 122 shown on the left and right being activated. When the user releases the pushing pressure, the compressed foam rubber 30 will push carriage 14 back toward the center null position, as the foam rubber 30 is normally in a partially extended state, being able to be compressed and to then spring back. The up sensor 114 shown in FIG. 2 is shown mounted on the top of the lower member 20, and the weight of carriage 14 is normally

15

sufficient to pull carriage 14 and sensor 114 downward away from its actuator 112 upon release of upward pulling pressure by the user, although a spring such as a foam rubber pad or the like could conceivably be placed between the underside of the housing top panel and the upper member 22 to push carriage 14 downward to deactivate the up sensor 114 if weight and gravity were insufficient or unavailable such as in outer space. The actuator 112 for the up sensor 114 is shown suspended from the interior underside of the housing top portion, and is a member which may be formed as an integral component of housing 10 if desired. The actuator 112 for the up sensor 114 may be simply a plate or panel against which a snap switch mounted on carriage 14 strikes or is pressed against, or it may be a second component of the sensor, or may be supporting a second component of the sensor such as the second component of a two piece proximity sensor, and this is generally true of all of the actuators shown and described. Also generally true of all of the actuators shown and described is that they must be sufficiently large and or properly positioned be useful even when carriage 14 is moved to any allowed extreme position.

In FIGS. 2-4 is track frame 34 located under the top of housing 10. Track frame 34 is free to be moved vertically within housing 10, which will allow carriage 14 to be moved vertically to activate the up or down sensors 114, 110. Additionally from FIGS. 2-3 it can be seen that carriage 14 is sized and shaped relative to housing 10 and components within housing 10 such as the actuators to allow carriage 14 to be moved in all linear directions, although only in small amounts in the example shown. I prefer the linear movement requirements from the center null to activating a sensor or sensors to be small, although the distances could be made substantial if desired. The track frame 34 is a structure which can be utilized to positively prevent axial rotation of carriage 14. The foam rubber 30 of FIGS. 2-3 being positioned tightly between either walls or actuators or both on the four peripheral sides of the foam normally serves to a satisfactory degree as an anti-axial rotation structure for carriage 14, however, for more positive prevention of axial rotation of carriage 14, track frame 34 or like structure may be applied. As shown in FIG. 4, track frame 34 is a rectangular frame opened centrally in which upper member 22 is slidably retained. Two oppositely disposed sides of frame 34 are abutted, but slidably so, against and between two stationary parallel walls which may be side walls 18 of housing 10 or partitions installed specific for this purpose. The lower member 20 in this arrangement would be supported by resting on foam rubber 30, and if upper member 22 were pushed forward or rearward for example, frame 34 would slide between the walls 18. Frame 34 can also move up and down sliding between the walls 18, but due to the close fit, the frame 34 will not axially rotate between the walls 18. The upper member 22 fits lengthwise snugly yet slidably between two oppositely disposed U-shaped track sides of frame 34 as can be seen in FIGS. 2 and 4, but is narrower than the width of the frame 34 as can be seen in FIGS. 3-4, and thus when upper member 22 is pushed forward and rearward (for example) it pushes frame 34 with it due to the close fit in this direction between the frame 34 and upper member 22, and when upper member 22 is pushed left and right (for example) it slides in the U-shaped track portion of frame 34, as the frame 34 cannot move in these directions due to its close abutment against the parallel walls 18. When upper member 22 is moved up and down, track frame 34 moves up and down also, as does the balance of carriage 14 and trackball 12. It should be remembered that in this example, upper member 22 and lower member 20 are rigidly

16

ted together with connecting posts 24, and that the members 20 and 22 constitute components of carriage 14, and that the carriage is to be manually controlled linearly via a hand applying force to collet 16 or the trackball or both, or possibly an exposed portion of the upper member 22 as mentioned previously. It should be noted that a space 36 or clearance is provided between the upper portion of the housing surrounding trackball 12, carriage 14 or collet 16 to allow movement of carriage 14 laterally, since carriage 14 and trackball 12 move independent of housing 10. The space 36 or crack may be covered with flexible or rubbery sheet material or any suitable boot or seal arrangement to exclude debris, or the space 36 (crack) may be kept (manufactured) narrow or small to be less likely to collect debris.

Another example of using foam rubber 30 is shown in FIG. 6 wherein the foam 30 is located atop a stationary shelf 38 within housing 10, and directly under upper member 22 which rests atop of the foam rubber 30. Foam rubber 30 extends beyond shelf 38 inward as may be seen in the drawing. The inward most edges of the foam rubber 30 are abutted against the vertical connecting posts 24 of carriage 14. Carriage 14 being supported by foam rubber 30 being between the underside of upper member 22 and the top of the shelf 38 is allowed to be moved in all linear directions, and the foam rubber 30 abutting connecting posts 24 and abutting the interior of the housing walls as shown functions as a return-to-center and return to null arrangement much like that described for the FIGS. 2-3 structural arrangement. The shelf 38 in this example should be on all interior sidewalls of housing 10, or at least under some resilient foam placed about the periphery of carriage 14. It should be noted clearance above upper member 22 and the top interior surface of housing 10 must be provided to allow upward movement of carriage 14 with pulling action to activate the up sensor 114, and the support for carriage 14 such as the foam rubber must allow carriage 14 to move away and to clear the activation of the up sensor 114 upon the termination of the upward pulling pressure on carriage 14, and this principle applies in most if not all embodiments of the invention.

With reference to FIGS. 5-6 for a brief description of an optional arrangement wherein collet 16 can be rotatably attached to upper member 22 allowing collet 16 to be manually rotated about trackball 12, as opposed to being non-rotatably affixed to upper member 22 as in the FIGS. 1-3 embodiment. The rotatable collet of FIGS. 5-6 may at least for some users be an easier process to achieve rotation about the yaw axis as compared to rotating trackball 12 at least in terms of rotation about yaw. The rotating collet may be able to rotate 360 degrees as in FIG. 5, or only in part rotatable as in FIG. 6 wherein collet 16 can only move through a short arc back and forth, being limited such as by a multiple-position rocker style sensor 158. Both of the collets 16 shown in FIGS. 5-6 are connected to the upper member 22 via a loose fit tongue and groove connection shown for example at 170, the tongue being an upward extension of upper member 22 and the groove being a component of collet 16 and engaged over the tongue. In FIG. 5 an optical encoder 168 is shown as an example of a sensor in contact with the bottom of collet 16 so that rotation of collet 16 in either direction rotates the optical wheel of the encoder 168, this could be achieved by gear teeth around the outer periphery of a drive wheel of encoder 168 mated to gear teeth around the bottom of collet 16, and the encoder outputs information indicative of the direction and amount of rotation of collet 16 about the yaw axis. In FIG. 6 a rocker style sensor assembly 158 includes a T-shaped member and

having a vertical center arm **160** engaged within a groove in the underside of collet **16**, and the T-shaped member being pivotally supported at a lower center so that the two oppositely disposed lateral arms **162** may be pivotally moved up and down dependent upon the direction of rotation of the collet to interact with a direction indicating negative sensor **164** and a direction indicating positive sensor **166** shown mounted on lower member **20**. The negative and positive sensors **164**, **166** may be simple on/off switches, or may be more sophisticated sensors which indicate degree or pressure in addition to the direction collet **16** has been rotated, such as by varying voltage via resistance changes, or by varying electrical output such as with piezo electric material and the like. When a rotatable collet is used, a sensor is used to detect rotation of collet **16** as described above, but this does not bar still having a sensor (encoder) in communication with trackball **12** for detecting rotation of the trackball about the yaw axis, and this would give the user the option of rotating about yaw via the trackball or the rotatable collet. Further, the trackball **12** input member may be interpretable on all six axes as previously described, and the rotatable collet can serve as an additional secondary input member for whatever use may be desired by a software designer or end-user.

I prefer most all of the circuits, switches and sensors be mounted on carriage **14**, and more particularly the lower member **20**, which is a sheet member, and this being an advantage for maintaining low cost in manufacturing. Dependent upon the type and sophistication of the sensors utilized in the present controller, and the electronics and/or software and electronics of the host graphics image generation device which the present invention is intended to interface, and at least in part control, there may be little more than flexible electrical conductors connected to on/off switches mounted on the lower member **20**, with the flexible conductors leaving the lower member to exit housing **10** via a cord **156** connectable to the host image generation device, or leaving circuitry on lower member **20** to connect to an emitter of electromagnetic radiation (not shown) mounted on housing **10** for communicating the linear moment and rotational information with the host device via wireless communication such as via infra red light or radio signals. Lower member **20** may be a printed circuit board having sensors, integrated and or discrete electronic components thereon, and in FIG. **2** an application specific integrated circuit chip is illustrated at **130** which could be utilized for computations, encoding, memory, signal translations such as analog to digital conversions, data formatting for communication to the host device, serial and/or parallel communications interfacing, and the like steps or processes. The specific circuitry and electronics built onto or into the present invention will in all likelihood be different when the invention is built primarily for use with a personal desk top computer than when it is built primarily for use with an interactive television or television based electronic game for example. Any required electrical power for electronics or sensors or output signals may be provided by batteries within housing **10**, or via a connected cord or any other suitable power source. A combination of electrical power inputs may be used, and this would depend on the particular application for which the controller was designed.

As previously mentioned, housing **10** may be in numerous forms, for example, FIG. **8** is an illustration of housing **10** structured specifically for carriage **14** and trackball **12**, and one which is structured to rest upon a support surface such as a table or desk when utilized, and this unit may be used to replace a typical mouse used with a computer. An optional

extending portion **142** is shown indicated in dotted outline, and which is ergonomically designed as a wrist and forearm rest. The embodiment shown in FIG. **8** is also shown with two thumb select switches **144** and two finger select switches **146** (secondary input members) which may be included to be used as function select switches as is common on a trackball, mouse or joy stick. A further example of a useful housing **10** is shown in FIG. **9** wherein a hand held housing **10** sized and shaped to be grasped in a hand of a user while the user controls graphic images with the controller in accordance with the present invention is shown. This "remote control" style version of the invention may be direct wired with long flexible conductors to the host graphic image generation device (computer or television for example), but is preferably a wireless remote controller which sends information to the graphics generation device via wireless electromagnetic radiation indicated at **138**. The FIG. **9** remote control is battery powered with a battery in compartment **134**, and may include a scan or program window shown at **132** for allowing programming of internal electronics. This version may prove to be particularly useful with interactive television and interactive three-dimensional displays such as are commonly referred to as virtual reality displays, and most likely will include additional function keys **136** for on/off, volume, channel selection, special functions and the like.

FIG. **10** shows carriage **14** and trackball **12** (embodiment **9**) housed in an otherwise relatively conventional computer keyboard **140**. Embodiment **9** is shown replacing the arrow-keypad, although it can be incorporated into other areas of the keyboard **140**. Embodiments **172** and **200**, to be disclosed, can also be incorporated into a computer or like keyboard, and as will become appreciated.

FIG. **11** represents a desk top computer **148** as an example of a graphic image generation device, and shown on the display **150** (computer monitor) is a cube **152** displayed three dimensionally. An electromagnetic signal receiver window is shown at **154** for receiving signals such as are sent via a wireless communicating version of the present invention such as that shown in FIG. **9**. Alternatively the keyboard **140** of FIG. **10** could be connected to the host image generation device via flexible conductor set **156** to allow typical keyboarding when desired, and control of graphic images with the use of the present six degree of freedom controller when desired.

With reference now to FIG. **12**, wherein a partial cross-sectional end view of a joystick type embodiment **172** of the invention is shown. Embodiment **172** is or can be structured identically to the FIGS. **1-3** trackball embodiment, with the exception of an elongated graspable handle **174** engaged, by any suitable connecting arrangement on an exposed portion of the ball **12**, such as by integral molding or casting, or connecting with adhesives or screws, etc. Full 6 DOF is provided with embodiment **172**, as the user grasps handle **174** and can control carriage **14** and ball **12** with linear and rotational forces applied to handle **174**. The input member in embodiment **172** is considered handle **174**, and the reference member is considered housing **10**. Embodiment **172** can include housings in numerous shapes and sizes such as the housing **10** shown in FIGS. **8**, **9** and **10** for example.

At this point in the description, it is believed those skilled in the art can build and use at least one embodiment of the invention, and further can build and use a trackball type and a joystick type embodiment in accordance with the present invention without having to resort to undue experimentation, however further joystick type embodiments in accordance with the present invention will be described to further exemplify the broad scope of the invention.

FIGS. 13–21 show variations on a joystick-type embodiment **200** which is a hand operated 6 DOF physical/mechanical to electrical converter for image control which has all 6 axes bi-directionally mechanically resolved in a pure fashion to the respective individual sensors representing each axis. Further embodiment **200** teaches all necessary sensors located within a handle **202**. Embodiment **200** further teaches structuring enabling the possible location upon a single sheet of all necessary sensors for a 6 DOF controller device.

FIG. 13 shows an exploded view of joystick embodiment **200** of the current invention exhibiting structuring enabling use of a membrane sensor sheet **206**. All 6 DOF operations of the input member shown as joystick-type handle **202** (comprised of upper handle part **202.2** and lower handle part **202.1**) relative to the reference member shown as shaft **204** are translated to specific locations on membrane sensor sheet **206**.

Shown at the bottom of the drawing is shaft **204** which may or may not be mounted to many different base-type or other structures. Shaft **204** is shown as generally cylindrical and substantially aligned, for purposes of description, along the yaw axis. Shaft **204** is substantially hollow to allow passage of the membrane tail, wiring or electrically connecting material, and is made of a generally rigid and strong material such as injection molded acetal plastics or steel etc. Shaft **204** has fixed to one end a short extending pedestal **210** and fixed to pedestal **210** is pivot ball **208**. Shaft **204** also has a yaw slide-rail **212**. Slide-rail **212** is a component that serves to keep translator **214** from rotating relative to shaft **204** about the yaw axis while still allowing translator **214** to move vertically along the yaw axis. One skilled in the art will readily recognize variants in the specifically drawn and described structure after reading this disclosure. For example, slide rail **212** would not be necessary if shaft **204** were square shaped rather than cylindrically shaped.

Substantially surrounding but not directly connected to shaft **204** is a lower handle part **202.1** which is made of a substantially rigid material and is shown having a round short vertical outer wall and essentially flat bottom with a central large round cut out area to allow for movement of handle **202** relative to shaft **204**. Lower handle part **202.1** is fixed, preferably by screws, to upper handle part **202.2** thus the two parts in unity form handle **202** which encompasses all the remaining parts of this embodiment. The flat bottom of lower handle part **202.1** is slidable horizontally along the pitch and roll axes relative to the essentially flat underside area of a first carriage member **216**. First carriage member **216** has centrally disposed an aperture which is shown with edges forming a planar cut of a female spherical section which is rotatably slidably mated to a male spherical section of translator **214**. Translator **214** has a vertical female cylindrical aperture and yaw slide rail slot **213** to mate with shaft **204** as previously described. Translator **214** additionally has at its upper edge two oppositely disposed anti-yaw tabs **218** which lay essentially in a horizontal plane described by the pitch and roll axes. Anti-yaw tabs **218** fit within substantially vertical slots formed by rising posts **220** which are fixed to and preferably mold integrally with carriage member **216**. The functional result of anti-yaw tabs **218** working within the slots and the mating of the male spherical section of translator **214** with the female spherical section of carriage member **216** creates the mechanical result that while translator **218** is held substantially non rotatable relative to shaft **204**, carriage member **216** is rotatable about the pitch and roll axes but not the yaw axis relative to both translator **214** and the general reference

member shaft **204**. Rising posts **220** fixedly connect first carriage member by screws, snap fit connectors, or other connecting means to a second carriage member **222** which may in some variations of this embodiment be a circuit board sheet supporting all necessary sensors, but as shown in the embodiment of FIG. 13 support sheet allows a formative and supportive backing for membrane sensor sheet **206**. Second carriage member **222** is made of a rigid material such as, for example, injection molded acetal plastic and is shown in FIG. 13 as being essentially a flat circular plate with a circular cut out at its center and with six downwardly extending plate like structures (as shown) which serve as back supports for sensors located on flexible sensor membrane **206** which is bent or flexed (as shown) at appropriate locations to allow sensors to be positioned correctly between the second carriage member and the activating part for each individual sensor.

In association with the sensors, in a preferred embodiment, are resilient “tactile” return-to-center parts **226** (herein after “tactile RTCs **226**”) which are shown in FIG. 13 as rubber dome cap type activators. These tactile RTCs **226** are positioned between sensors and activating mechanical hardware so that when the input member is operated a specific piece of activating mechanical hardware, member, or part (which specific activating part depends on which specific sensor is being described) moves to impinge on the local tactile RTC **226** and compresses it. As the impinging/compressing force grows a force “break-over” threshold, inherent in the tactile RTC **226**, is overcome and the force rapidly but temporarily decreases and the sensor is impinged and activated. This break-over tactile threshold can be achieved with numerous simple tactile structures, such as the rubber dome cap structures illustrated as RTCs **226** in FIG. 13, or metallic dome cap structures (which give an exceptionally strong clear feedback sensation) and other more complex spring based break over structures. These resilient break-over structures are typically used in the industry for simple on-off switches, such as the audible and tactile break-over switches commonly used to turn on and off lights in the home, and in the operation of typical computer keyboard keys.

I believe that my structuring enabling the use of this common break-over technology in a 6 DOF controller is a highly novel and useful improvement in the field of 3D graphic image controllers. Further, it can clearly be seen here, after study of this disclosure, that tactile break-over devices can also be used to great advantage in novel combination with proportional or variable sensors within my mechanically resolved 6 DOF controller structurings, and that this is a novel and very useful structure.

The resilient components RTCs **226**, when compressed, are energized within their internal molecular structure, to return to the uncompressed state, thus when the user takes his hand off of the input member, or relaxes the force input to the input member then the resilient RTCs **226** push the mechanical parts of the controller back off of the sensor and toward a central null position of the input member. RTCs **226** serve to great advantage on all six axes in most joystick type controllers and on the three linear axes in the trackball type controller.

Positioned to activate sensors **207.03** through **207.06**, as shown in FIGS. 14 and 15, are sliding actuators which are impinged upon by the inside surface of the outer wall of handle **202**.

Above member **222** is a yaw translator plate **230** with an oblong central cut out (as shown) and distending plate-like

members are two oppositely disposed yaw activators **231** which extend, when assembled, down through the illustrated slots of member **222** to activate sensors **207.07** and **207.08** when handle **202** is rotated back and forth about the yaw axis.

On the upper surface of plate **230** are fixed or integrally molded pitch slide rails **232** which are oriented substantially parallel to the linear component of the pitch axis, and fit into and slide within female complementary pitch slide slots **234** which are molded into the underside of anti-rotating plate **236** which is located above plate **230** and sandwiched between plate **230** and upper handle part **202.2**. Anti-rotating plate **236** is a plate like structure with an oblong-shaped central cutout and on the upper surface are molded roll slide slots **238** which are substantially aligned with the linear component of the roll axis and through which slide roll slide rails **240** which are integrally molded on the inside surface of upper handle part **202.2**.

Within the assembled embodiment **200** located at the approximate center of handle **202** is pivot ball **208** which is fixed to shaft **204**. Pivot ball **208** is immediately surrounded on top and sides by the recess within a linear yaw axis translator **242** which is a substantially rigid structure having an oblong-shaped horizontally protruding upper activating arm **244** (as shown) and on its lower portion are snap-fit feet **246** or other attaching means or structures for fixing a lower activating arm **248** to the bottom of translator **242**, thus pivot ball **208** becomes trapped within the recess within translator **242** by the attachment of lower activating arm **248** forming a classic ball in socket joint, wherein translator **242** is free to rotate about ball **208** on all rotational axes but not free to move along any linear axis relative to ball **208** and shaft **204**.

FIG. **14** shows membrane sensor sheet **206** in flat form as it would appear after being printed with conductive pads for sensors **207** and conductive circuit traces **256** but prior to being cut from sheet stock along cut line **254**.

FIG. **15** shows a larger clearer view of membrane **206** and second carriage member **222**, with membrane **206** in the folded configuration as it would fit on the membrane support sheet **222** and the rubber dome cap tactile resilient activators **226** where they would rest upon membrane **206** each one above a sensor **207**.

FIG. **16** shows all sensors **207** in mechanical packages having solder tangs that are solder mounted to the second carriage member, which in this case, specifically, is a rigid circuit board sheet **250**. Sensors **207.01** through **207.12** are positioned essentially in the same locations as indicated in FIG. **13** and **14**. The different sensor sheet technologies are shown to be interchangeable within the novel structuring of the invention. Substituting circuit board **250** into the embodiment shown in FIG. **13** replaces the parts shown in FIG. **15**, specifically, membrane **206**, second carriage member **222**, sliding actuators **228** and rubber dome caps **226** can all be replaced by the structure of FIG. **16**.

Whether on membrane sheet **206** or circuit board **250** specific sensors **207** are activated by the following movements and rotations with the respective structures described here:

linear input along the yaw axis in the positive direction (move up) causes sensor **207.01** to be activated by upper activating arm **244**,

linear input along the yaw axis in the negative direction (move down) causes sensor **207.02** to be activated by lower activating arm **248**,

linear input along the roll axis in the positive direction (move forward) causes sensor **207.03** to be activated by the

inner surface of the outer wall of handle **202**, (with rubber dome cap **226** and slide **228** on membrane variation),

linear input along the roll axis in the negative direction (move back) causes sensor **207.04** to be activated by the inner surface of the outer wall of handle **202**, (with rubber dome cap **226** and slide **228** on membrane variation),

linear input along the pitch axis in the positive direction (move right) causes sensor **207.05**, to be activated by the inner surface of the outer wall of handle **202**, (with rubber dome cap **226** and slide **228** on membrane variation),

linear input along the pitch axis in the negative direction (move left) causes sensor **207.06**, to be activated by the inner surface of the outer wall of handle **202**, (with rubber dome cap **226** and slide **228** on membrane variation),

rotational input about the yaw axis in the positive direction (turn right) causes sensor **207.07** to be activated by yaw activator **231**,

rotational input about the yaw axis in the negative direction (turn left) causes sensor **207.08**, to be activated by yaw activator **231**,

rotational input about the roll axis in the positive direction (roll right) causes sensor **207.09** to be activated by the top edge of translator **214**,

rotational input about the roll axis in the negative direction (roll left) causes sensor **207.10** to be activated by the top edge of translator **214**,

rotational input about the pitch axis in the positive direction (look down) causes sensor **207.11** to be activated by the top edge of translator **214**,

rotational input about the pitch axis in the negative direction (look down) causes sensor **208.12** to be activated by the top edge of translator **214**.

FIG. **17** shows membrane **206** in a variation where all 6 DOF sensors **207** are positioned on a flexible membrane sensor sheet and positioned on a single flat plane. All sensors are activated by structuring acting on membrane **206** from the lower side as membrane **206** is pressed up against the second carriage member **222**, except for sensor **207.01** which is activated by structure from above pressing sensor **207.01** down against a recessed support shelf **258** which is integrally molded as part of plate member **222**. Shelf **258** is molded in such a way as to leave at least one side, and as drawn two sides, open so that sensor **207.01** can be slid through the open side during assembly to rest on recessed support shelf **258**. Sensor **207.01** having a cut-out **260** near at least two edges of sensor **207.01** thus allowing positioning of membrane **206** with all sensors **207** on an essentially single plane. Sensors **207.03** through **207.08** which were flexed into right angle positioning in the variation of FIGS. **13–15** are now all on the same plane and each is impinged upon and activated by right angle translation structuring shown as a rocker-arm activator **262** which pivots on an integrally molded cylindrically shaped fulcrum **264** which is held in position by saddle shaped upward protrusions **266** fixed to first carriage member **216** and saddle shaped downward protrusions **268** fixed to second carriage member **222**. This right angle translation structuring works as follows: For example, if input member handle **202** is pressed to move along the roll axis in a positive manner then a flattened area along the inside surface of the outer wall of handle **202** impinges upon the lower portion of rocker-arm activator **262** causing activator **262** to pivot about fulcrum **264** and the upper part of activator **262** impinges upon tactile resilient activator **226** (shown here as a metallic dome cap) until sufficient force has built to allow tactile actuator **226** to

“snap through” and come to bear upon and activate sensor 207.03. These structures do not have to have “snap through” or tactile turn-on resilient structuring to be fully functional, but this tactile turn-on resilient structuring is believed to be novel in 6 DOF controllers and highly advantageous in the feedback it offers to the user.

FIG. 18 shows structuring of membrane 206, as described in FIG. 17, integrated into an otherwise typical computer keyboard membrane 270 by connection of membrane tail 224 to keyboard membrane 270 (which may be structured of the common three layer membrane structuring, or single layer membrane structuring, or any other type). In this embodiment shaft 204 is fixed to keyboard housing 10 (shown in FIG. 19) and for assembly membrane 206 is rolled up and inserted through shaft 204 and then unrolled where it is positioned against member 222.

FIG. 19 shows an external view of a 6 DOF handle 202 positioned where the arrow key pad would be on an otherwise common computer keyboard housing 10. With the current structuring many different positionings of a 6 DOF handle on a keyboard are possible, such as positioning handle 202 in the area normally occupied by the numeric keypad, or on an ergonomically designed keyboard having the large key bank of primarily alphabetic keys divided into two banks angled apart positioning of handle 202 between the two alphabetic key banks is a distinct possibility, etc. Further, in the common keyboard the 6 DOF operations can or cannot emulate keys such as the arrow keys when handle 202 is operated appropriately. An optimum keyboard may have proportional sensors built into the membrane and output both proportional and simple switched data. For example, an optimum keyboard may sense a certain handle 202 movement and send out both a scan code value representing an appropriate key stroke (such as an arrow key value) and the keyboard may also output a proportional value representing how intense the input operation is being made.

FIGS. 20–31 show another preferred embodiment exhibiting two planar structuring. Two planar design offers some advantages. Such a device still has all the benefits of a pure mechanically resolved device and with two planar execution additional benefits are realized, such as: the capability of exceptionally low profile design for integration into computer keyboards and hand held remote controllers, ready integration of finger operated buttons on the handle for operating sensors incorporated into the sensor sheet, space to place active tactile feedback means in a still small handle, etc.

Referring to FIG. 20, an input member which is shown as a hand manipulatable handle 300 is shown supported on a shaft 302. Shaft 302 extends into a base or reference member housing 317. Shaft 302 passes through a shaft guide first main hole 306 within a sliding plate or platform called a first platform 352. Shaft 302 further passes through a shaft guide second main hole 310 located in a second platform 322. FIG. 21 shows Platform 322 fixedly attached to connecting structure shown as legs 312 which are fixed to first platform 352, thus platform 322, connecting structure 312 and platform 352 cooperate together forming the structure of a carriage

314. First platform 352 is slidably retained along a first axis by a sliding plate called an anti-rotating plate 350 which is slidably retained along a second axis by at least one housing guide 308 which is fixed to housing 317. First platform 352 and plate 350 are further constrained by retaining shelf 316 and housing 317 from linear movement along the yaw or

third axis. Thus plate 350, guide 308, housing 317, and shelf 316 cooperate to form a carriage support structure 316 in which platform 352 (and thus also carriage 314) is prohibited from significantly rotating on any axis, and also is allowed to linearly move significantly along the first and second axes (pitch and roll axes) but is prohibited from significant movement along the third axis, relative to housing 317.

Within carriage 314, and platforms 352, 322, holes 306 and 310 cooperate to offer sufficient fit in the passage of shaft 302 to provide advantageous structural cooperation in two substantial ways. The first is the provision of an anti-tilting structure 324 which prevents shaft 302 from significant tilting (rotating about the first or second axes) relative to carriage 314. The second is provision of two-axes structure where any and all linear movement along parallel to the first and second axes (linear along length of pitch and roll axes) by shaft 302 is coupled to equivalent movement along parallel to the first and second axes of carriage 314.

A second endward region of shaft 302 as shown in FIG. 21 is shaped with a male partial spherical shape 318 which slideably contacts a complimentary female partial spherical shape 319 which is part of handle 300, and shaft 302 also comprises a male pivot protrusion having a pivot or rotational point located approximately central to handle 300 and approximately at the center of the spherical partial section shapes. Protrusion 346 provides a pivot point for handle 300 and may mate to a female pivot receptacle. Thus handle 300 can be rotational relative to shaft 302 yet coupled for all linear movement along parallel to the first and second axes with equivalent linear movement of shaft 302 and also two-axes structure 326, therefore the above mentioned members connecting handle 300 to shaft 302, and shaft 302 to carriage 314 serve as a handle support structure 328 in which handle 300 is coupled for equivalent movement with carriage 314 along parallel to the first and second axes.

On carriage 314 are rocker-arm structures 364 shown mounted on second platform 322. Rocker-arm structures 364 convert movement of carriage 314 relative to housing 317 to a resilient thermoplastic rubber (TPR) sheet 366 formed with a plurality of “tactile” resilient dome cap structures 368. Resilient sheet 366 and second platform 322 sandwich sensors supported on a membrane sensor sheet 330.

FIG. 22 shows the positioning of four rocker-arm structures 364 as they are mounted on second carriage part 322 which is shown as a substantially flat plate that might be manufactured as a traditional printed circuit board sheet bearing on-board sensors and containing on-board active electronic circuitry 370 and a cable 372 for routing data to a graphics display device, or as a flat rigid plate-like structure supporting a flexible membrane sensor sheet 330. Shown on top of and essentially parallel to plate 322 is rubber sheet 366 having a multiplicity of tactile resilient rubber dome cap type actuators 368.

Rocker-arm structures 364 have at least the following structure: a mounting structure 332, which is structure essentially fixed to carriage 314 and is illustrated as a snap-fit design having two legs which snap into slots within plate 322; a fulcrum 334, illustrated in all figures as a living hinge located at the top of mounting structure 332 except in FIG. 24 where fulcrum 334 is illustrated as a more traditional cylindrical bore-and-core type hinge; at least one sensor actuating arm 336, and in all drawings rocker-arm structures 364 are illustrated as commonly having two arms for actuating two sensors one on each side of mount 332,

25

except in drawings 26 and 27 where are illustrated one-armed variants; and finally rocker-arm structures 364 have a super-structure 338 by which the rocker-arm is activated or caused to move against and actuate the associated sensor(s). Super-structure 338 is the distinctive part of the different two armed rocker-arm types shown in FIGS. 20–22, of which are a V-slot type 340, an H-slot type 342, and a T-bone type 345 of which there are two rocker-arms being approximately identical but oriented perpendicular to one another and being called a first t-bone 344 and a second t-bone 346 rocker-arm actuators.

FIG. 23 shows T-bone actuator 345 mounted to plate 322 by mounting structure 352 and pivoting (shown actuating sensor in dashed lines) about fulcrum 334 shown as a living hinge which is connected to the bottom of two oppositely disposed actuating arms 336 above which is fixed super-structure 338 which is activated into motion by a activating receptacle 339 that is fixed to the reference member base or housing 10 by way of retaining shelf 316. Under the opposite side of actuator 345 from dome cap 368 (which is shown in dashed lines as being depressed and thus actuating sensor 207 located on flexible membrane sensor sheet 330) is illustrated a packaged mechanical sensor 207 soldered to a flat circuit board sheet. Thus, FIGS. 22 and 23 clearly show how the same inventive structurings can translate mechanical or physical inputs to either a flexible membrane sensor sheet or to a rigid circuit board sensor sheet.

FIG. 24 shows H-slot actuator 342 as it is activated by shaft pin 321 which is fixed within shaft 302. As shaft 302 moves vertically or along the yaw or third axis then so in unison moves shaft pin 321 and actuator 342.

A first end of shaft pin 321 passes through a beveled slot within super structure 338 of rocker-arm H-slot type 342 in which the slot is approximately perpendicular to the third axis and the length of shaft 302, so that when shaft 302 and shaft pin 321 move along the third axis rocker-arm 342 in moved in kind with one arm descending to compress its respective resilient dome cap 328 and upon collapse of dome cap 328 the respective underlying sensor is actuated, as shown in FIG. 24. Of course movement of shaft 302 in the opposite direction along the third axis likewise actuates the opposite complimentary sensor of the sensor pair. Rotation within operational limits of shaft 302 about its cylindrical center or approximately about the third axis simply causes shaft pin 321 to move within the slot and does not activate the H-type rocker-arm 342.

FIG. 25 shows activation of V-slot actuator 340. A second end of shaft pin 321 passes through a slot of V-slot rocker-arm 340 which is activated in the converse of the above H-slot rocker arm 342. Movement of shaft 302 along the third or yaw axis simply causes shaft pin 321 to move within the slot and not actuate V-type rocker-arm 340, but rotation about the third axis causes shaft pin 321 to activate rocker-arm 340 in the following manner. Rotational motion of shaft 302 conveyed to shaft pin 321 activates rocker-arm 340 causing compression of dome cap 328 and stimulation of the sensor located on the membrane. Super structure 338 of rocker-arm 340 has a slot in structure slanting away from shaft 302. This is to accommodate the increasing movement of pin 321 as it may change in distance from fulcrum 334 when shaft 302 is moved along the third axis. Thus the slope of the slot compensates for varying effectiveness of shaft pin 321 so that rotation of shaft about the third axis causes rotationally equivalent activation of rocker-arm 340 regardless of the distance shaft pin 321 is from fulcrum 334 of rocker-arm 340.

FIG. 26 and 27 show space savings structuring for the area of second platform 322. This space savings may be

26

valuable in tightly constricted areas such as integration of the invention into computer keyboards and hand held remote control devices. The layout of second platform 322 as illustrated in FIGS. 20–22 is shown by a dashed line indicating the original larger perimeter 370 the area of the newer smaller platform 322 shown by solid line 372 and first t-bone rocker-arm 346 has been divided into two separate one-armed type 348 actuators each with its own mount 332, fulcrum 334, sensor actuating arm 336, and super structure 338.

FIG. 28 shows structuring within handle 300 for support and activation of sensors 207 supported on sensor membrane sheet 330 which may be supported within the inside upper portion of handle 300 or as shown here supported by a rigid support sheet 374 the appendage of membrane 330 passes through shaft 302. Also shown here are two buttons 378 for operation by the user's fingers. Buttons 378 have an exterior activating surface area 378 which can be depressed by the user's finger(s) causing button structure 376 to rotate about an integrated cylindrical fulcrum 380 which rests within saddle supports fixed to handle 300. The pivoting motion of button 376 causes the internal sensor actuating part 382 to rise against resilient dome cap 368 and activate sensor(s) 384. This button structuring is similar to that shown in FIG. 17 with the exception that the structuring of FIG. 17 is completely internal while this design has the button externally operated for additional input (other than 6 DOF input) by the user's finger(s).

FIG. 29 shows a sensor membrane 330 of a three layer traditional computer keyboard type, but with the inventive exception of having two additional appendages designed for fitting into the two planar structure design shown in FIGS. 20–28 for incorporation in a keyboard as shown in FIG. 19. The appendage having the longer attachment and a rounded head passes from inside the keyboard housing 10 up through the shaft and into the handle and the other appendage resides on carriage part 322 within housing 10.

FIG. 30 shows 6 DOF input member handle 300 integrated with shaft 302 fixed to housing 10 of an otherwise normal wireless remote control device, such as for operating a television, or other device, etc.

FIG. 31 shows the device of FIG. 30 in dashed lines showing an internal view of a likely form for membrane sensor sheet 330. Membrane sheet 330 is shown connected to a circuit board sensor sheet 250 that commonly is positioned under the normal input keys and also contains electronic circuitry. Membrane tail 224 connects from sheet 250 to the greater body of membrane 330 which in this case is shown as a two planar type as shown in FIGS. 20–28. This arrangement of sensors on two planes is quite ideal for many uses. It allows the origin of all axes to remain within handle 300 and yet much of the mechanical resolving structure is moved down into housing 10 where space is more plentiful, thus handle 300 can be made even smaller and even lower in profile, if desired. Additionally, auxiliary secondary input buttons (select, fire buttons, special function keys, etc.) are readily integrated in an economical and rugged fashion for operation by the user's finger(s).

FIGS. 33–35 show a preferred embodiment of the two planar design without using rocker arms and having packaged sensors 207 shown here as simple mechanical flat-mount and right-angle-mount switch packages, mounted on second carriage part 322 which, in this embodiment, is a circuit board to which the sensor packages are soldered, and also the sensor packages are solder mounted on a second circuit board 423 within handle 400. This embodiment has

some parts and structures that are similar to equivalent parts in earlier embodiments such as a hand operable input member shown as a handle **400** supported on a shaft **402** which extends into a housing which serves as a reference member or base **417** where it interfaces with carriage **414**. Carriage **414** is supported by a similar carriage support structuring and carriage **414** has platform **352** with distending legs **112** which connect to second carriage part **422** which, in this embodiment, is specifically a circuit board carrying eight sensors for interpretation of four axes.

Specifically shown in FIG. **33** is a 3rd axis actuator part **450** which has a specific structuring that allows all sensor mountings on the circuit board to be fully functional with flat and right-angle-mount mechanical sensor packages. Actuator part **450** is integrated to the end of shaft **402** that is in communication with carriage **414**. Actuator **450** may be integrated with shaft **402** as a single, injection-molded part or actuator part **400** may be a separate molded part fit over the end of shaft **402** and secured to shaft **402** by a pin **452** passing through both shaft **402** and actuator part **450**. Actuator part **450** has at least a 3rd axis rotational actuator **454** which is a plate-like member fixed to actuator part **450** and extending outward in a plane having substantially the 3rd (yaw) axis as a member of that plane so that when shaft **402** rotates in either direction about the 3rd axis, actuator part **454** moves through space, actuating the appropriate right-angle-mount sensors indicating a 3rd axis rotational movement in either the positive or negative direction. Actuator part **450** has a 3rd axis negative (yaw—move down) linear actuator **458** and a 3rd axis positive (yaw—move up) linear actuator **456** which also are fixed to actuator part **450** and extend outward from part **450** perpendicular to the 3rd axis and substantially aligned with a plane parallel to the 1st and 2nd axes, so that when shaft **402** moves along the 3rd axis in a positive direction, actuator **456** activates the appropriate flat mount sensor indicating linear movement along the 3rd axis in a positive direction, and when shaft **402** moves along the 3rd axis in a negative direction, actuator **458** activates the appropriate flat mount sensor indicating linear movement along the 3rd axis in a negative direction.

FIG. **36** shows a final preferred embodiment having some similar structures to earlier embodiments, especially those shown in FIGS. **32–35**, with the primary exception that in this embodiment eight sensors are located within the hand operable input member handle **500** and only four sensors are located within the reference member housing **517**. In this embodiment a similar carriage **514** is located within housing **517** but shaft **502** is fixed to plate **552** of carriage **514** so that shaft **502** is free to move only linearly within a plane perpendicular to the 3rd (yaw) axis. A part shaped almost identically to part **450** is fixed at the top of shaft **502**. Sensors **207** within handle **500** are mounted to circuit board **523**.

In the interest of brevity, it is appreciated that after study of the earlier embodiments one skilled in the art will be able to easily construct the full structuring of the embodiment of FIG. **36** from this full illustration without an overly extensive written description.

FIG. **37** shows a right angle simple switched sensor package as is commonly available in the industry. It is comprised of a non-conductive rigid plastic body **600** supported by electrically conductive solder mounting tangs **606** and **608** which are typically made of metal. Electrically conductive tang **606** passes from the exterior of body **600** to the interior where it resides in a generally peripheral position of an internal cavity of body **600**, and electrically conductive tang **608** passes from the exterior of body **600** to the interior where it resides in a generally central position of the internal

cavity. Positioned over the internal portions of tangs **606** and **608** is a metallic dome cap **604** having resilient momentary “snap-through” characteristics. Metallic dome cap **604** typically resides in electrical contact with tang **606** on the periphery and typically not in contact with centrally positioned tang **608**. Positioned to depress dome cap **604** is a plunger **602** which is generally made on non-conductive rigid plastic material. Dome cap **604** and plunger **602** are typically held in place by a thin metallic plate **610** which is fixed to body **600** by plastic melt riveting or other means. Plate **610** has an aperture large enough for a portion of plunger **602** to protrude to pressed upon by an outside force and thus to depress conductive dome cap past a tactile snap-through threshold and down onto centrally disposed conductive tang **608**, thus completing an electrically closed circuit between tangs **606** and **608**.

FIG. **38** shows an even more typical sensor package body **600** in that it is horizontally mounted, which is the most common style. But the sensor of FIG. **38** has an additional very important element. In the inner cavity of body **600** and fixed above, and electrically in connection with, centrally positioned conductive tang **608** is a pressure sensitive electrical element **612**, which may have a conductive metallic plate **614** fixed to the upper surface of element **612** for optimal operation. Of course, this same design can be integrated into the sensor of FIG. **37**. Pressure element **612** is constructed of a pressure sensitive material, such as for example, molybdenum disulfide granules of approximately 600 grit size mixed with a base material such as silicon rubber in, respectively, an 80-20 as taught in U.S. Pat. No. 3,806,471 issued to inventor Robert J. Mitchell on Apr. 23, 1974, ratio, or other pressure sensitive electrically regulating materials. I believe that integration of pressure sensitive technology into a tactile-snap through sensor package is novel and of great advantage in 6 DOF controllers as shown herein and described in my earlier 6 DOF controller patent applications.

FIGS. **39** and **40** show cross-section views, respectively, of a non-actuated and an actuated flexible planar three layer membrane comprised of an upper electrically non-conductive membrane layer **620**, a mid electrically non-conductive membrane layer **622** and a lower electrically non-conductive membrane layer **624** all positioned essentially parallel to each other with upper layer **620** having an electrically conductive trace **626** on its lower side and lower layer **624** having an electrically conductive trace **628** on its upper side with mid layer **622** normally isolating the traces except in the central switching or sensing region where mid layer **622** has an aperture. In a traditional three layer flexible membrane sensor the aperture in mid layer **622** is empty allowing upper layer **620** to be depressed flexing down until electrically conductive trace **626** comes into contact with electrically conductive trace **628** of lower layer **624** and completes an electrical connection, as is commonly known in the prior art. The membrane layers are supported upon a generally rigid membrane support structure **630** such as a rigid plastic backing plate.

The membrane sensor shown is novel with the inclusion of a pressure-sensitive electrically regulating element **638** disposed in the sensing region, filling the traditionally empty aperture of mid layer **622**. Pressure element **638** remains in electrical contact with broad conductive areas of conductive traces **626** and **628** at all times. Pressure element **638** may be of a type having ohmic or rectifying granular materials (such as 600 grit molybdenum disulfide granules 80–98%) in a buffering base matter (such as silicon rubber 2–20%) as described in U.S. Pat. No. 3,806,471 issued to inventor

Robert J. Mitchell on Apr. 23, 1974, or other pressure sensitive electrically regulating technology as may exist and is capable of being integrated with membrane sheet technology.

Also I believe it is novel to use a metallic "snap-through" resilient dome cap **632** with for its excellent tactile turn-on feel properties in combination with membrane sensors and especially with membrane pressure sensors as shown, where metallic dome cap **632** resides on top of upper membrane layer **620** and is shown held in place by silicon adhesive **636** adhering dome cap **632** to any generic actuator **634**. Generic actuator **634** may be the actuating surface area of any part which brings pressure to bear for activation of a sensor, for example, actuator **634** might be a nipple shaped protrusion on the underside of rocker arm actuator arms **336** on the embodiment of FIGS. **20-31**, etc. Vibration lines **640** indicate an energetic vibration emanating outward either through support **630** or actuator **634** as a mechanical vibration transmitted through the connected parts to the user's hand, or as air vibrations perceived by the user's ear, and indicating the "snap-through" turn-on/off sensation of resilient dome cap **632** as it impinges upon and activates the sensor. With twelve possible singular input operations, and a very large number of combined input operations the user perceivable tactile sensation indicating sensor activation is of high value to the operator of the device.

FIG. **41** shows a compound membrane sensor sheet **700** containing a multiple-layer staged sensor **701**. Staged sensor **701** is comprised by layering, one on top of the other, more than one traditional simple membrane switch and sharing layering which can be used in common. For example, the top layer of the lower sensor and the bottom layer of the top sensor can be combined using both sides of the common layer to full avail, thus two three layer sensors are combined into one five layer sensor, etc. Staged sensor **701** can be useful in measuring increased activating force of the impinging activator coming down on sensor **701** from above with sufficient force first activates the upper sensor and with sufficient additional force then activates the second sensor, and so on. Many layered sensors are possible.

FIG. **42** shows a compound membrane sensor sheet **700** containing a compound sensor **702** which in essence is a commonly known simple switched membrane sensor on top of my novel proportional membrane sensor as described in the embodiment of FIGS. **39** and **40**, with the two respective sensors sharing the middle sheet so that two three sheet sensors are combined into one five sheet sensor. In combination with earlier drawings and descriptions herein, and the commonly known prior art the compound sensor shown here becomes self descriptive to one skilled in the art.

Some commonly known simple switched sensors use only a single sheet rather than three sheets, with the single sheet having both conductive traces sharing one surface area and the resilient dome cap having a conductive element which when depressed connects the conductive traces. One skilled in the art will also appreciate that the novel compound sensor **702** may be made with less than five sheets using such technology and judicious routing of conductive traces.

Both the simple switched portion and the proportional portion of sensor **702** are activated approximately simultaneously when an activator impinges upon sensor **702** with the simple switched sensor indicating an on state and the proportional sensor indicating how much force is being brought to bear on sensor **702**.

A novel sensor of this type, having both a simple switched and a proportional component in combination with my novel

keyboard integrated devices, such as those shown in FIGS. **18**, **19** and **29** demonstrate the design of having a 6 DOF controller which outputs both a scan code keyboard type information) and a proportional signal. This could be very useful in any multiple-axes controller even strictly hand-held devices such as those taught in my co-pending provisional application filed Sep. 5, 1995. Outputting both scan codes and proportional signals (possibly to separate keyboard and serial ports) could be of substantial value because for all pre Windows95 machines virtually all 3-D graphics programs already have software drivers to be driven by scan codes (with programmable key maps) so that the 3-D software can be controlled by common keyboards. Outputting this data type allows my 6 DOF controllers to interface with existing software that is controllable by scan codes. Outputting both of these data types is not dependent on this compound sensor rather it is simply demonstrated here. Information gathered from any proportional sensor can be massaged into these two different data output types which are believed to be novel in regard to output of multiple-axes controller devices and specifically for 6 DOF devices.

FIG. **43** shows a pair of compound sensors **702** integrated into compound sensor sheet **700**, the compound sensor on the left side is identified as sensor **702.1** and the compound sensor on the right side is identified as sensor **702.2**. Sensor pairs are valuable because a 6 DOF device has 6 axes which are interpreted bi-directionally (move along the axis to the left or right, but not both simultaneously). Simple switches and the pressure sensors so far shown are unidirectional sensors so ideally a pair of unidirectional sensors are used to describe each axis, thus six pair of uni-directional sensors (twelve individual sensors) can describe six degrees of freedom. Unidirectional sensors are highly desirable both from and cost stand point and from a superior functional stand point, because they allow a natural null or play space for accommodating inaccuracies of the human hand and for optimally accommodating the passive turn-on tactile feedback where the user can feel the different axes turn on and off with manipulation of the input member as described earlier herein.

The pair of sensors **702.1** and **702.2** offer advantage, for example, in a computer keyboard embodiment where the simple switched portions may emulate key inputs and the proportional portions may serve to create sophisticated 6 DOF outputs. Further, for some applications an incremental output (simple switched) is more desirable than a proportional output. Sensor **702** provides both types of output in hardware. Finally, the compound sensor pair offers structure to lessen the necessary electronics requirement for reading the unidirectional proportional sensors. As shown in FIG. **43** the simple switched portions have electrical connections **704** which make the switches electrically distinct from each other, but the proportional sensor portions have electrical connections **704** which are in parallel, thus the proportional sensor portions are not electrically distinct one from the other. The simple switched portion yields information about which direction along or about an axis and the proportional sensors yield information representing intensity. Thus allowing only one analog channel to read two unidirectional proportional sensors, and correspondingly, only six analog channels to read twelve unidirectional sensors. A savings in electronic circuit complexity.

FIG. **44** shows proportional sensors **638.1** and **638.2** in a paired relationship within a membrane structure. Sensors **638.1** and **638.2** have in common a center electrical connection **710** which connects to one side of both sensors **638.1** and **638.2** of the pair. Each individual sensor has a

second and distinct electrical connection, being for sensor 638.1 electrical connection 706 and for sensor 638.2 electrical connection 708. The sensors are essentially in a center taped arrangement, so that the center connection 710 can be read with one analog to digital converter yielding bidirectional information, if, for example, connection 706 carries a substantial voltage and connection 708 is grounded. Thus the mechanical and cost advantages of unidirectional proportional sensors is utilized with economical electrical circuitry.

FIGS. 45–47 show bidirectional sensors mounted on circuit board sheet means for creating 6 DOF functional structures with previously described structures of the embodiment of FIGS. 20–28, thus for full 6 DOF operability six bi-directional sensors would be used. The embodiment shown in FIGS. 1–3 specifically shows a nine sensor 6 DOF embodiment with three bi-directional rotational sensors and six uni-directional linear sensors. The embodiments shown in FIGS. 13–36 show twelve sensor 6 DOF embodiments with all sensors being unidirectional sensors.

FIGS. 45 and 46 show generic rocker-arm type actuators 364 mounted on circuit board 322. Actuators 364 are shown without a differentiating super-structure 338 because the illustrated novel bidirectional sensor application could serve on any or all of the actuators 364 in the embodiment shown in FIGS. 20–27.

FIG. 45 shows rocker-arm actuator 364 mounted on circuit board sheet 322 and a bidirectional sensor 750 such as a rotary encoder or potentiometer solder mounted to sheet 322 and operationally connected to rocker arm 336 by a rack and pinion type gear assembly with the rotary shaft to rotary sensor 750 bearing a small gear or pinion gear 752 which is activated by riding on an arced gear rack 754 fixed to one end of rocker-arm actuator 336 and passing freely through an aperture 756 in sheet 322.

FIG. 46 is similar to FIG. 45 except that the bi-directional sensor shown is an optical sensor having a light transmitting unit 760 and a light sensing unit 762 which are both solder mounted to circuit board sheet 322 and are separated by an arc shaped light regulating unit 764 such as a graduated optical filter or a shuttering device which is fixed to one end of an actuator arm 336.

FIG. 47 shows sensors of the same type as described in FIGS. 45 and 46 but with the exception that they are shown with structuring to operate within the handle such as in the embodiment shown in FIG. 28.

FIGS. 48 and 49 respectfully show a cross-section view and an exploded view of novel structuring for anchoring in a desired position a flexible membrane sensor sheet 658 or at least a portion of membrane sheet 658 carrying at least one sensor 660 and for retaining in operational positions structure appropriate for actuating mechanisms. Sensor 660 may be of either the common simple switched type or my novel pressure sensitive proportional membrane type. This embodiment is also for aligning and retaining sensor actuating structures, of which I believe, especially valuable are actuating structures of the resilient tactile type. A package member 650 is a housing like structure shown here with four side walls. Aligned along two of the opposing walls are downwardly distending snap-fit legs 652 having a hook-like snap-fit shape at the bottom most extremity. Package 652 might be made of an injection molded plastic such as a resin from the acetal family having excellent dimensional stability, rigidity and also resiliency for the bending of snap fit legs 652 during mounting of package 650 to a rigid support structure 630. The internal portion of package 650 is

a cavity within which is retained at least an actuator shown here as a plunger 602 which is retained at least in part within housing package 650 by an upper or top portion of package 650 partially enclosing the package cavity but having an aperture through which extends a portion of plunger 602 for being depressed or activated by external forces. Resilient metallic dome cap 604 is also shown within the cavity and located between plunger 602 and membrane sensor 660 which is supported on rigid support structure 630. Rigid support structure 630 has two elongated apertures 656 sized to allow the passage during mounting and retention thereafter of snap-fit legs 652. Membrane 658, which may be any sensor bearing membrane, also has elongated apertures 654 positioned around a membrane sensor shown here as sensor 660. Apertures 654 being of size allowing the passage of snap fit legs 652.

The entire embodiment is assembled by positioning membrane sensor sheet 658 or at least the portion of membrane sensor sheet 658 bearing a sensor and apertures 654 along side of support structure 630 and aligning membrane apertures 654 with support structure apertures 656, then, with housing package 650 containing both plunger 602 and dome cap 604, pressing legs 652 through the aligned apertures thus fixing the membrane sensor and actuating plunger 602 in accurate and secure position for activation.

This novel membrane sensor anchoring and activating structure may be useful for fixing into position a flexible membrane and associated sensor(s) in a wide variety of applications, not just for fixing a membrane having multiple relatively long arms to fit a widely-spread set of sensors within a 6 DOF device such as for my co-pending application (Ser. No. 07/847,619, filed Mar. 5, 1992) and for finger activated buttons which may be located elsewhere within the device, such as on either the handle housing or the base housing, etc. This structuring also offers tremendous advantage in many non 6 DOF applications where hand wiring is now common. For example, typical assembly of two axis joysticks involves hand wiring of numerous different finger and thumb operated switches at various different positions located within a handle and often includes additional switches located with the base of the joystick also. The hand wiring to these widely spread switch locations is error prone and expensive in labor, thus this process could be greatly advantaged by employment of flexible membrane based sensors, which is made possible by this novel structuring.

FIG. 50 shows a right angle mount embodiment in common with the device of FIGS. 48 and 49. The right angle mount embodiment has a housing 650.1 formed much like housing 650 with the exception that the aperture in the upper surface is not necessarily round to accommodate passage of plunger 602 but rather the aperture may be slot-shaped to accommodate passage of a right angle actuator 670 which upon external activation pivots about a fulcrum 676. Right angle actuator 670 is structurally similar to the right angle translator parts shown in FIG. 17 as part 262, in FIG. 27 as part 348 and in FIG. 28 as part 376. Specifically actuator 670 has an externally exposed actuating nub 674 which is impinged upon by an actuating part in a manner essentially parallel to mounting 630 thus pivoting about fulcrum 676 and causing an internal actuating nub 672 to impinge downward upon dome cap 604. Fulcrum 676 is held in place within housing 650.1 by a retainer 678 which may be essentially ring like and with protrusions 680 which provide a saddle for pivotal retention of fulcrum 676.

The anchoring and retaining embodiments shown in FIGS. 48–50 provide an optimal low-cost of manufacture embodiment where ever membrane sheet based sensors are

shown in the current teaching and can also operate to equal advantage providing structuring and translating for sensors based on circuit board sheets.

Although I have very specifically described best modes and preferred structures and use of the invention, it should be understood that many changes in the specific structures and modes described and shown in my drawings may clearly be made without departing from the true scope of the invention.

What I claim as my invention is:

1. An image controller comprising:

an input member with associated sensors, said input member moveable on at least two axes; and

a plurality of finger depressible buttons with associated sensors; and

at least one sheet structurally connecting, at least in part, to the sensors of said input member, and said at least one sheet structurally connecting, at least in part, to the sensors of said finger depressible buttons; said at least one sheet having

electrically conductive traces located on said at least one sheet, said electrically conductive traces electrically connecting with the sensors of said input member, and said electrically conductive traces electrically connecting with the sensors of said finger depressible buttons; said image controller is connected to an image generation device;

at least one of the finger depressible buttons is structured with a resilient dome cap;

said resilient dome cap is structured to provide a tactile feedback to a human hand;

a pressure-sensitive variable sensor is the sensor associated with said at least one of the finger depressible buttons, whereby depression of said at least one of the finger depressible buttons provides a proportional signal representing the level of depressive pressure applied; said at least one sheet comprises

a flexible membrane sheet connected to a rigid circuit board sheet.

2. An image controller according to claim 1 in which said plurality of finger depressible buttons are at least 10 in number, at least some of said buttons represent keys for numbers 1-9.

3. An image controller according to claim 2 in which said plurality of finger depressible buttons are at least 40 in number, at least some of said buttons represent keys for the alphabet, and at least one of said buttons represents a spacebar.

4. An image controller according to claim 3 in which said input member is operable on at least six axes.

5. An image controller comprising:

an input member movable on at least two axes, said input member having associated sensors; and

a plurality of finger depressible buttons, said finger depressible buttons having associated sensors; and

at least one sheet connecting to the sensors of said input member, and said at least one sheet connecting to the sensors of said finger depressible buttons;

said at least one sheet includes electrically conductive traces, said traces engaging the sensors;

at least one of the finger depressible buttons is structured with a resilient dome cap;

said resilient dome cap is structured to provide a tactile feedback to a human hand; said at least one sheet comprises

a flexible membrane sheet connected to a rigid circuit board sheet.

6. An image controller according to claim 5 in which said at least one of the finger depressible buttons is associated with a pressure-sensitive variable sensor, whereby depression of said at least one of the finger depressible buttons provides a proportional signal representing the level of depressive pressure applied.

7. An image controller according to claim 5 in which said plurality of finger depressible buttons are at least 10 in number, at least some of said buttons represent keys for numbers 1-9.

8. An image controller according to claim 7 in which said plurality of finger depressible buttons are at least 40 in number, at least some of said buttons represent keys for the alphabet, and at least one of said buttons represents a spacebar.

9. An image controller according to claim 7 in which said input member is operable on at least six axes.

10. An image controller according to claim 8 in which said input member is operable on at least six axes.

11. An image controller according to claim 9 in which said at least one of the finger depressible buttons is associated with a pressure-sensitive variable sensor, whereby depression of said at least one of the finger depressible buttons provides a proportional signal representing the level of depressive pressure applied.

12. An image controller comprising:

an input member with associated sensors, said input member moveable on at least two axes; and

a plurality of finger depressible buttons with associated sensors; and

at least one sheet connecting to the sensors of said input member, and said at least one sheet connecting to the sensors of said finger depressible buttons;

said at least one sheet comprising at least a flexible membrane sheet.

13. An image controller according to claim 12 in which at least one of the finger depressible buttons is structured with a resilient dome cap.

14. An image controller according to claim 13 in which said image controller is connected to an image generation device.

15. An image controller according to claim 14 in which said image generation device includes a television based electronic game.

16. An image controller according to claim 13 in which said resilient dome cap is structured to provide a tactile feedback to a human hand.

17. An image controller according to claim 16 in which a plunger is positioned above said dome cap, said plunger comprising a non-conductive rigid plastic material.

18. An image controller according to claim 12 in which said at least one of the finger depressible buttons is associated with a pressure-sensitive variable sensor for providing a proportional signal, whereby depression of said at least one of the finger depressible buttons provides a proportional signal representing the level of depressive pressure applied.

19. An image controller according to claim 12 in which said at least one sheet comprises said flexible membrane sheet connected to

a second sheet.

20. An image controller according to claim 19 in which said second sheet is a circuit board.

21. An image controller according to claim 19 in which said second sheet is a rigid membrane support structure.

35

22. An image controller according to claim **20** in which said at least one sheet comprises said flexible membrane sheet further supported by a third sheet, said third sheet is a rigid membrane support structure.

23. An image controller according to claim **22** in which said at least one of the finger depressible buttons is associ-

36

ated with a pressure-sensitive variable sensor for providing a proportional signal, whereby depression of said at least one of the finger depressible buttons provides a proportional signal representing the level of depressive pressure applied.

* * * * *